

MG32F02A132 MG32F02A072 Data Sheet

Version: 1.70

Features

❖ CPU Core

- ARM 32-bit Cortex-M0 CPU
- Operation frequency up to 48MHz
- Built-in one NVIC for 32 external interrupt inputs with 4-level priority
- Built-in one 24-bit system tick timer
- Built-in one single-cycle 32-bit multiplier
- Built-in one SWD serial wire debugger with 2 watch points and 4 breakpoints

❖ Flash Memory

- Built-in embedded max. 132K bytes flash memory for application code
- Support ICP (In-circuit program) for ISP boot code update through SWD interface
- Support ISP (In-system program) for application code update
 - Support programmable ISP flash memory size for ISP boot code
- Support IAP (In-application program) for application data update
 - Support programmable IAP flash memory size
- Support flash memory page erase in 1K bytes

❖ SRAM Memory

- Built-in embedded 16K bytes SRAM
 - Support private 2K bytes for DMA and 14K bytes for software to improve access performance

❖ Power

- Built-in two brown-out detectors
 - BOD0 detect 1.7V
 - BOD1 detect by selected level 4.2V/3.7V/2.4V/2.0V
- Built-in a power management controller with power-down and wakeup control
- Support three power operation modes
 - ON(Normal) mode and SLEEP , STOP power down modes
- Support wake-up from SLEEP/STOP modes via multiple sources

❖ Reset

- Built-in embedded POR(power-on reset) circuit
- Built-in one reset source controller
 - Programmable chip cold reset and warm reset for reset source
 - Independent software reset control for internal modules
- Provide multiple reset source
 - POR/BOD0/BOD1/External reset pin input/Software force reset
 - IWDT/WWDT/ADC/Analog Comparator
 - Illegal address error reset/Flash access protect error reset
 - Missing clock detect (MCD) reset

❖ Clock

- Built-in embedded ILRCO (internal low frequency RC oscillator) by 32KHz
- Built-in embedded IHRCO (internal high frequency RC oscillator)
 - Trimmed to 11.059 or 12MHz $\pm 1\%$ at +25°C
- Built-in embedded PLL clock output for system clock
- Built-in embedded XOSC oscillator with MCD for external 32KHz and 4 ~ 25MHz Xtal
- Support external clock input up to 36MHz
- Built-in a clock source controller with independent clock enable control for modules
- Support internal XOSC oscillator and internal ILRCO/IHRCO clock output

❖ DMA (Direct Memory Access)

- 3 independently configurable channels with dedicated hardware DMA requests
 - Access to Memory, APB and AHB Peripherals as source and destination

- **DMA transfer management type**
 - memory-to-memory
 - peripheral-to-memory
 - memory-to-peripheral
 - peripheral-to-peripheral
- **Built-in two type of priority control between channel requests**
 - Channel request by Round Robin
 - Software configurable priority level
- **Programmable transfer number of data and up to 65535**
- **Programmable burst length 1,2,4**
- **Provide single/block/demand mode for external pin trigger request**

❖ **GPIO**

- **Support general purpose IO pins for application**
 - Maximum 73 GPIO pins for LQFP80 package
 - Maximum 59 GPIO pins for LQFP64 package
 - Maximum 44 GPIO pins for LQFP48 package
- **Provide selectable IO modes by pin independent**
 - Push-Pull output
 - Quasi bidirectional
 - Open-drain output
 - Digital Input with high impedance
 - Analog IO
- **Flexible pin alternate function selection**
- **Support programmable drive strength by pin independent**
- **Support IO deglitch filter by pin independent**
- **Support input inverse selection by pin independent**
- **Support pull-high option by pin independent**
- **GPIO pin state and IO mode setting keep optional after reset**

❖ **Interrupt Support**

- **Built-in one EXIC (external interrupt controller) for NVIC connection**
 - Independent high/low level and rising/falling edge trigger selection
- **Built-in one WIC (wakeup interrupt controller) for wakeup event control**
- **All PA/PB/PC/PD pins can be configured as interrupt source and key pad input**
 - Support port OR logic for interrupt function
 - Support port AND logic for KBI function
- **Support external pins for CPU NMI/RXEV/TXEV function**

❖ **Timer**

- **Provide seven timers/counters : TM00,TM01,TM10,TM16,TM20,TM26,TM36**
- **Support multi-level timer modules for different application**
- **Timer module common functions**
 - Selectable Full-counter, Cascade, Separate timer operation modes
 - Multiple internal and external signals as timer clock source or trigger source
 - Support timer reset, trigger start and clock gating for trigger source function
 - Timer overflow as clock output to external pin output
 - Auto-stop mode by main counter counting
- **Provide TM36 timer module**
 - 32-bit timer/counter
 - 4 CCP (input Capture/output Compare/PWM) channels
 - 3 CCP channels with OCN (complementary output compare)
 - PWM function with center/edge-align, dead time control and break control
 - QEI(Quadrature Encoder Interface) support

- One IC and three OC with DMA capability
- **Provide TM2x timer modules (TM20, TM26)**
 - 32-bit timer/counter
 - 2 CCP (input Capture/output Compare/PWM) channels
 - 2 CCP channels with OCN (complementary output compare)
 - QEI(Quadrature Encoder Interface) support(TM26 only)
 - PWM function with edge-align
- **Provide TM1x timer modules (TM10, TM16)**
 - 32-bit timer/counter
- **Provide TM0x timer modules (TM00, TM01)**
 - 16-bit timer/counter

❖ RTC

- **Built-in 32-bit counter with selectable clock source**
- **Support alarm function and time-stamp function**
 - Support alarm function with 32-bit programmable compare register
- **Support wakeup from STOP mode**
- **Support periodic timer tick interrupt or wakeup**

❖ Watchdog Timer

- **Built-in one IWDT (Independent Watch Dog Timer)**
 - 8-bit down counter with 12-bit prescaler and clocked by ILRCO clock
 - Operating capability in SLEEP and STOP modes
 - Selectable reset or interrupt when the counter underflow
 - Support two early wakeup comparators with interrupt
- **Built-in one WWDT (Window Watch Dog Timer)**
 - 10-bit counter with 1 or 256 divider , 1/2/4~/128 divider
 - Configurable time-window to detect abnormally late or early application behavior
 - Selectable reset or interrupt when the counter is underflow or reloaded outside the window
 - Support warning interrupt

❖ I2C

- **Provide two identical I2c modules : I2C0 , I2C1**
- **I2C module common functions**
 - Support master and slave mode
 - Support programmable clock rate control and clock rate up to 1 MHz
 - Support programmable high/low period control for master mode
 - Support clock stretching for slave mode
 - Support general call function
 - Support multi-master processing capability
 - Support both Byte mode and Buffer mode flow control
 - Support Byte mode bus event code for simplex firmware control
 - Support Buffer mode 4-byte data buffer and 32-bit data register for high speed communication
 - Received and transmitted data are buffered with DMA capability
 - Support SMBus timeout detection

❖ UART

- **Provide four identical UART modules : URT0, URT1, URT2, URT3**
- **UART module common functions**
 - Support UART, Synchronous, SPI master, SmartCard, LIN, Multi-processor modes
 - Provide precise UART baud-rate control by programmable oversampling rate
 - Support baud rate up to 6 Mbit/s
 - Programmable data word length - 7 or 8 bits
 - Selectable MSB or LSB first data order
 - Configurable stop bits - 1 or 2 stop bits

- Hardware parity checking and parity generation
- Programmable 4~32 oversampling rate
- Separate signal polarity control for transmission and reception
- Support a timeout timer for Idle/RX/Break/Calibration timeout detection
- Support 4-byte data buffer and 32-bit data register for high speed communication
- Received and transmitted data are buffered with DMA capability
- Support auto baud-rate detection and calibration
- Support multiprocessor communication for master and slave mode - Idle-Line , Address-Bit
- Support low speed UART-like frame format IrDA
- Support transceiver hardware flow control by CTS/RTS signals only
- Provide driver enable signal to activate the transmission for bidirectional communication
- Support transmission-error hardware detection and auto resent control for Smart-card application
- Support receiving parity error hardware detection and auto retry control for Smart-card application

❖ SPI

- **Support master and slave mode**
 - Support full duplex , half duplex or simplex communication mode
 - Support data communication without NSS(slave select signal)
- **Support programmable clock rate control**
- **Selectable 4~32-bit frame size**
 - Support 4-byte data buffer and 32-bit data register for high speed communication
- **Received and transmitted data are buffered with DMA capability**
- **Support multi-master processing capability**
- **Selectable clock polarity and phase**
- **Selectable MSB or LSB first data order**
- **NSS line management by hardware or software for master mode**
- **Configurable data transfer modes**
 - Standard SPI mode (separated transmit and receive line)
 - Single SPI mode with bidirectional data transfer
 - Dual SPI mode with bidirectional data transfer
 - Quad SPI mode with bidirectional data transfer
 - Octal SPI mode with bidirectional data transfer
- **Data transmit/receive overrun detect**
- **Support hardware master mode failure detection and auto slave mode change**

❖ EMB (External Memory Bus)

- **Support SRAM, NOR/NAND-flash, LCD interface**
- **Support synchronous or asynchronous timing mode control**
- **Support 16-bit data width**
- **Support multiple types of address and data multiplex mode**
- **Provide optional 16/24/30-bit address mode**
 - Memory space 2G/32M/128K-byte for 16-bit data width
- **Configurable time cycle for address latch time and data access time**
- **Received and transmitted data are buffered with DMA capability**
- **Allow running CPU code on external SRAM**

❖ ADC

- **12-bit SAR ADC with 400Ksps**
 - Configurable resolution : 12/10/8-bit
 - Configurable sampling time
- **Provide external 16 channels and internal 4 channels input**
 - Internal extra channel source : VBUF , VSSA , DAC output , +VREF
- **Support single-end input or differential input**
- **Support auto-sampling and trigger by external pin, internal events and software bit**

- Data alignment for output code left/right justify
- Interrupt generation at the end of sampling, end of conversion, end of sequence conversion
- Support voltage window detection and output code limitation
- Built-in three channel independent hardware accumulators for ADC output code
- Support one-shot/channel scan/loop scan
- ADC data are buffered with DMA capability
- Support wait mode and auto off mode
- Support auto off mode

❖ Analog Comparator

- Provide 4 fast Rail-to-rail comparators
- Programmable 64-step threshold of internal voltage reference
- Provide external total 10 channels input for all comparators
- Programmable response time for optimal current consumption
- Selectable compare output polarity
- Support wakeup from SLEEP and STOP modes
- Support analog watch dog as a reset source

❖ DAC

- One 10-bit current DAC
 - Maximum conversion rate is 100KHz
- Conversion start trigger by register written, external pin and internal events
- Programmable full-scale output current
 - 0.5/1/2 mA
- Data alignment for input code left/right justify
 - Configurable code width : 10/8-bit
- Output data are buffered with DMA capability

❖ GPL (General Purpose Logic)

- Support data inverse, bit order change, byte order change and parity check
 - Data bit order change for 8/16/32-bit reverse
 - Data byte order change between Little endian and Big endian for 32 bit range
 - Parity Check for 8/16/32 bit range
- Support CRC (Cyclic Redundancy Check) calculation
 - Programmable CRC initial value
 - CRC output bit order change
- CRC with fixed common polynomial
 - CRC8 polynomial 0x07
 - CRC16 polynomial 0x8005
 - CCITT16 polynomial 0x1021
 - CRC32(IEEE 802.3) polynomial 0x4C11DB7
- Input data are buffered with DMA capability

❖ Misc.

- Timer synchronous enable global control
- OBM(Output Signal Break and Modulation) control
 - Support one set of OBM for output signal break and modulation control
- Infrared Remote Modulation Output
- Provide on chip 16 bytes Unique ID code

❖ Operating

- Operating voltage range 1.8V ~ 5.5V
- Operating temperature range -40°C ~ 85°C (**1)
- Operating frequency range up to 48MHz

❖ Package Types

- LQFP80 / LQFP64 / LQFP48

(**1): Tested by sampling.

List of Contents

Features3

List of Contents9

List of Figures13

List of Tables14

1. General Description15

2. Order Information16

3. Block Diagram18

 3.1. System Function Block 18

 3.2. Chip Main Block 19

4. Pin Description20

 4.1. Pin Outline 20

 4.1.1. LQFP80 Package Pinout 20

 4.1.2. LQFP64 Package Pinout 23

 4.1.3. LQFP48 Package Pinout 25

 4.2. Pin Definition 27

 4.3. Pin AFS Summary Table 39

 4.4. Analog Function Pin Table 41

 4.5. Alternate Functions Pin List 41

5. Memory Map47

 5.1. Memory Organization 47

 5.2. CPU Memory Map 47

 5.3. Peripheral Memory Boundary 48

 5.4. Boot Modes 50

6. Functional Description50

 6.1. CPU Core 50

 6.1.1. Introduction 50

 6.1.2. CPU Features 50

 6.1.3. ARM Cortex-M0 Processor 50

 6.2. Power Management 52

 6.2.1. Introduction 52

 6.2.2. Chip Power Features 52

 6.2.3. Power Operation Mode 52

 6.2.4. Power Supply 52

 6.2.5. CPU Power Down 53

 6.3. System Reset 54

 6.3.1. Introduction 54

 6.3.2. Chip Reset Features 54

 6.3.3. Chip Reset Levels 54

 6.3.4. External Reset 54

 6.3.5. Module Reset 54

 6.4. System Clock 54

 6.4.1. Introduction 54

 6.4.2. Chip Clock Features 55

 6.4.3. System Clock Source 55

 6.4.4. PLL Clock 55

- 6.4.5. Module Process Clock Control 55
- 6.5. System Common Control 55
 - 6.5.1. Introduction 55
 - 6.5.2. Features 55
- 6.6. Memory Access 55
 - 6.6.1. Introduction 55
 - 6.6.2. Features 55
 - 6.6.3. Memory Controller 56
 - 6.6.4. ICP/ISP/IAP for Flash Memory 56
 - 6.6.5. Hardware Option Byte Flash Memory 56
- 6.7. External Memory Bus 56
 - 6.7.1. Features 56
 - 6.7.2. EMB Control Function 56
- 6.8. GPIO 57
 - 6.8.1. Introduction 57
 - 6.8.2. Features 57
 - 6.8.3. GPIO Control Block 57
- 6.9. Interrupt 58
 - 6.9.1. Introduction 58
 - 6.9.2. Interrupt Features 58
 - 6.9.3. Interrupt Structure 58
 - 6.9.4. Nested Vectored Interrupt Controller 59
 - 6.9.5. Wakeup Interrupt Controller 59
 - 6.9.6. External Interrupt Controller 59
- 6.10. General Purpose Logic 60
 - 6.10.1. Introduction 60
 - 6.10.2. Features 60
- 6.11. APB Common Control 60
 - 6.11.1. Introduction 60
 - 6.11.2. Features 60
- 6.12. Direct Memory Access 60
 - 6.12.1. Features 60
 - 6.12.2. DMA Control Block 61
- 6.13. ADC 61
 - 6.13.1. Introduction 61
 - 6.13.2. Features 61
 - 6.13.3. ADC Control Block 61
- 6.14. Analog Comparator 62
 - 6.14.1. Introduction 62
 - 6.14.2. Features 62
 - 6.14.3. CMP Control Block 63
- 6.15. DAC 63
 - 6.15.1. Introduction 63
 - 6.15.2. Features 63
 - 6.15.3. DAC Control Block 63
- 6.16. IWDG 63
 - 6.16.1. Introduction 63

6.16.2. Features.....	63
6.16.3. IWDTC Control	64
6.17. WWDT.....	64
6.17.1. Introduction	64
6.17.2. Features.....	64
6.17.3. WWDT Control.....	64
6.18. RTC.....	64
6.18.1. Introduction	64
6.18.2. Features.....	64
6.18.3. RTC Control	65
6.19. Timer.....	65
6.19.1. Introduction	65
6.19.2. Features.....	65
6.19.3. Timer Modules' Function Table.....	66
6.19.4. Timer Control Block	67
6.20. I2C.....	67
6.20.1. Introduction	67
6.20.2. Features.....	67
6.20.3. I2C Control.....	68
6.21. UART	68
6.21.1. Introduction	68
6.21.2. Features.....	68
6.21.3. UART Control.....	69
6.22. SPI	69
6.22.1. Introduction	69
6.22.2. Features.....	69
6.22.3. SPI Control.....	70
7. Application Notes.....	71
7.1. Power Supply Circuit	71
7.2. Reset Circuit.....	71
7.3. Xtal Oscillating Circuit	72
7.4. ADC Application Circuit	72
7.5. DAC Application Circuit	73
8. Electrical Characteristics	74
8.1. Parameter Glossary	74
8.2. Absolute Maximum Rating	74
8.3. DC Characteristics	74
8.4. External Clock Characteristics	76
8.5. PLL Characteristics	76
8.6. IHRCO Characteristics.....	77
8.7. ILRCO Characteristics.....	77
8.8. LDO Characteristics	77
8.9. Flash Characteristics.....	78
8.10. ADC Characteristics.....	78
8.11. ADC PGA Characteristics.....	79
8.12. Analog Comparator Characteristics.....	79
8.13. DAC Characteristics.....	80

MG32F02A132/072

8.14. UART Characteristics	80
8.15. SPI Characteristics.....	81
8.16. I2C Characteristics	81
9. Package Dimension	83
9.1. LQFP-80.....	83
9.2. LQFP-64.....	84
9.3. LQFP-48.....	85
10. Revision History	86
11. Disclaimers	89

List of Figures

Figure 2-1. Part Numbering.....16

Figure 3-1. System Function Block18

Figure 3-2. Chip Main Block.....19

Figure 4-1. LQFP80 Package Pinout20

Figure 4-2. LQFP64 Package Pinout23

Figure 4-3. LQFP48 Package Pinout25

Figure 5-1. CPU Memory Map47

Figure 6-1. ARM Cortex-M0 Processor.....51

Figure 7-1. Power Supply Circuit71

Figure 7-2. Reset Circuit71

Figure 7-3. XTAL Oscillating Circuit.....72

Figure 7-4. ADC Application Circuit73

Figure 7-5. DAC Application Circuit73

Figure 9-1. LQFP-80 (10mm X 10mm)83

Figure 9-2. LQFP-64 (7mm X 7mm)84

Figure 9-3. LQFP-48 (7mm X 7mm)85

List of Tables

Table 2-1. Chip Selection Table.....17

Table 4-1. LQFP80 Pin AFS List.....21

Table 4-2. LQFP64 Pin AFS List.....24

Table 4-3. LQFP48 Pin AFS List.....26

Table 4-4. Abbreviations for pin definition.....27

Table 4-5. Pin Descriptions27

Table 4-6. Pin Alternate Functions Selected Table.....39

Table 4-7. Analog Function Pin Table.....41

Table 4-8. Alternate Functions Pin List41

Table 5-1. CPU Memory Address Map48

Table 5-2. Peripheral Memory Boundary Address.....48

Table 6-1. Power-Down Mode Selection53

Table 6-2. Interrupt Source Table59

Table 6-3. Timer Modules' Function Table.....66

Table 7-1. Reference Capacitance of C1 & C2 for crystal oscillating circuit72

Table 8-1. Parameter Glossary74

Table 8-2. Absolute Maximum Rating.....74

Table 8-3. DC Characteristics.....74

Table 8-4. External Clock Characteristics.....76

Table 8-5. PLL Characteristics.....76

Table 8-6. IHRCO Characteristics.....77

Table 8-7. ILRCO Characteristics77

Table 8-8. LDO Characteristics.....77

Table 8-9. Flash Characteristics78

Table 8-10. ADC Characteristics.....78

Table 8-11. ADC PGA Characteristics.....79

Table 8-12. Analog Comparator Characteristics.....79

Table 8-13. DAC Characteristics.....80

Table 8-14. UART Characteristics80

Table 8-15. SPI Characteristics81

Table 8-16. I2C Characteristics.....81

1. General Description

The **MG32F02A** is a single-chip 32-bit microcontroller based on a high performance Core ARM 32-bit Cortex™-M0 CPU with embedded Nested Vectored Interrupt Controller (NVIC).

The **MG32F02A** has up to **132K** bytes of embedded main flash memory for code and data, programmable memory size of embedded system flash memory for boot load code and 64 bytes of embedded option-byte flash memory for chip configuration. The all flash memory can be programmed either in serial writer mode (ICP, In-Circuit-Programming). Also, the main flash memory can be programmed in ISP (In-System Programming) mode or SRAM (Boot on SRAM) mode. ICP and ISP allow the user to download new code without removing the microcontroller from the actual end product; IAP means that the device can write non-volatile data in the flash memory while the application program is running. There needs no external high voltage for programming due to its built-in charge-pumping circuitry.

The **MG32F02A** retains all features of the ARM 32-bit Cortex™-M0 with **16K** bytes of SRAM, **5** I/O ports, **32** external interrupts source with 4-level interrupt controller and seven 8/16-bits timer/counters. In addition, the **MG32F02A** has a System Tick Timer, two Watchdog Timers, three Advance timer modules with IC/OC, four Basic timer modules for universal using, on-chip crystal oscillator for 32.768 KHz to 25MHz, two high precision internal oscillators IHRCO for 11.059/12MHz and ILRCO for 32 KHz, one 12-bit ADC, four programmable threshold comparators, one 10-bit current mode DAC.

Also, the **MG32F02A** support multiple and flexible communicate interface for production application. It provides alternate function pins those are including of GPIO, I2C, SPI, KBI, UART, SmartCard, LIN and SWD(on chip debug). It has maximum 73 GPIO pins and provides programmable IO type - quasi-bidirectional , push-pull output , open-drain output , input only(Hi-z) with optional pull-high. In addition, it is built-in internal de-bounce circuit to deglitch noise for worse signals.

One direct memory access (DMA) controller is used to improve data transfer between peripherals and memory and memory to memory. The data can be transfer by DMA controller and does not cost any CPU time.

One external memory bus (EMB) controller is used to access external SRAM, NOR/NAND flash or LCD display panel. It supports multiple address bus and data bus multiplex modes. Also it supports synchronous or asynchronous timing with programmable cycle time for external devices.

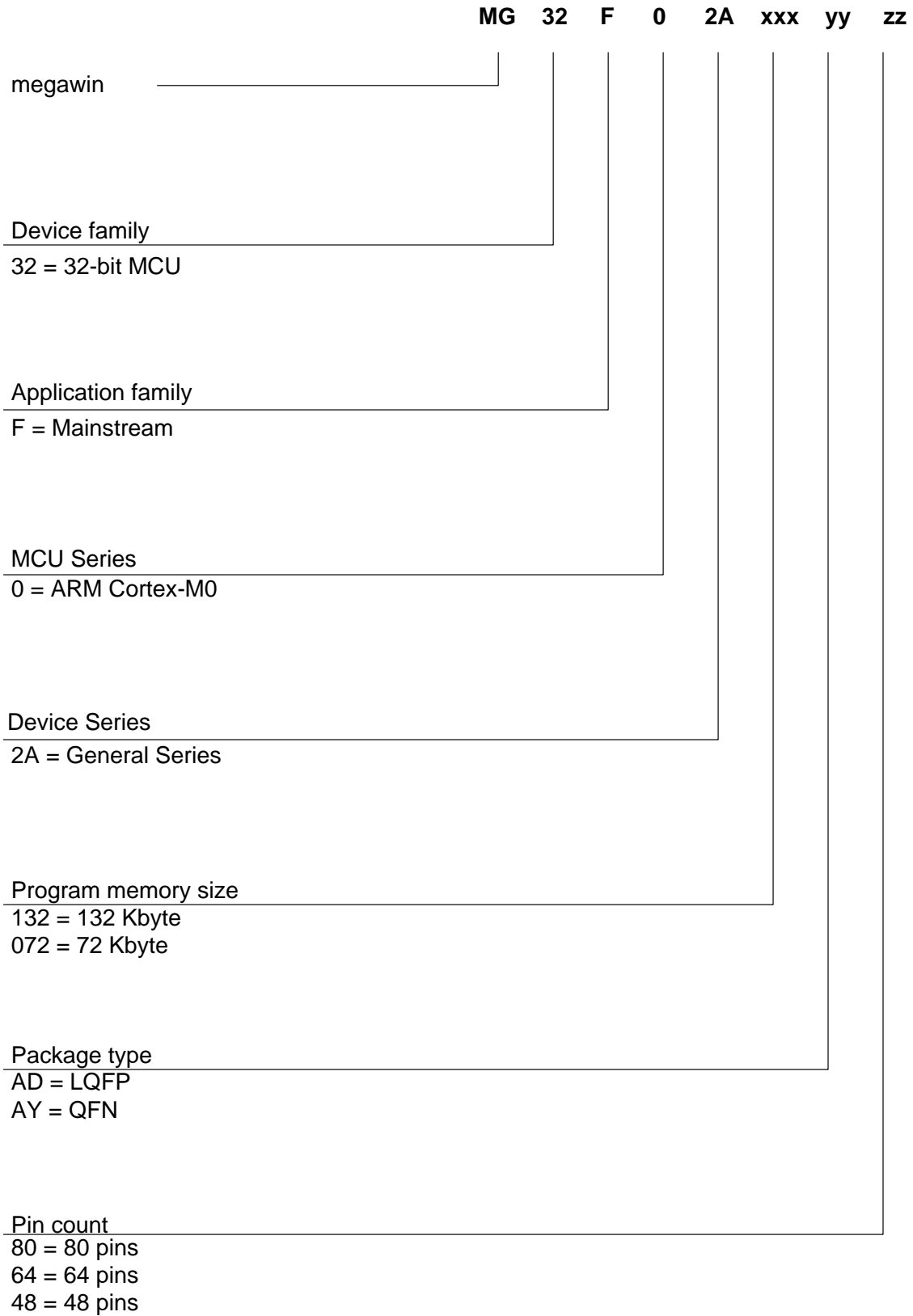
For power management and reset control, the **MG32F02A** is built-in a power supervisor including of a Low Voltage Detector(LVD), two Brown-out Detectors(BOD0/BOD1), a Power-On Reset(POR) , a Low-voltage Reset(LVR). The **MG32F02A** has multiple power-down modes to reduce the power consumption: Sleep mode and Stop mode.

In the Sleep mode the CPU is frozen while the peripherals and the interrupt system are still operating. In the Stop mode the RAM and SFRs' value are saved and all other functions are inoperative; most importantly, in the Sleep mode the chip can be waked up by many interrupt or reset sources(POR/LVR/BOD0/BOD1).

2. Order Information

Please contact the megawin sales for available options (memory size, package, ...) and more information about this device.

Figure 2-1. Part Numbering



● **Chip Selection**

Table 2-1. Chip Selection Table

Chip Number	MG32F02A132	MG32F02A072	Comment
Flash ROM	132KB	72KB	memory space of AP+IAP+ISP
SRAM	16KB	8KB	
Max. CPU Frequency	48MHz	48MHz	
Internal Clock Source	ILRCO+IHRCO	ILRCO+IHRCO	12MHz(default) & 11.059MHz option for IHRCO
Voltage Detector	LVR+BOD0/1	LVR+BOD0/1	
IO Number	59/73	44/59	
Timers	16-bit*2 + 32-bit*5	16-bit*2 + 32-bit*5	support Full-Counter, Cascade , Separate modes
IC/OC/PWM	8-CH	8-CH	OC support (normal + complement output)
WDT	IWDT + WWDT	IWDT + WWDT	
RTC	yes	yes	
ADC	12-Bit , 16-CH	12-Bit , 16-CH	embedded one input buffer with PGA
Analog Comparator	4	4	embedded two R-ladder voltage reference
DAC	10-Bit , 1-CH	10-Bit , 1-CH	current mode DAC
UART	4	4	support SPI master,Multi-processor,IrDa,LIN,ISO-7816 (SmartCard),Hardware flow control
SPI	1	1	Support 1/2/4/8 data line modes
I2C	2	2	optional Byte/Buffer mode
ISO-7816-3	4	4	included and shared in UART module (SmartCard)
LIN	4	4	included and shared in UART module
DMA	3-CH	3-CH	memory-to-memory, memory-to-peripheral, peripheral-to-memory, peripheral-to-peripheral
EMB	16-Bit	16-Bit	support SRAM,NOR/NAND flash,8088 LCD IF
CRC	yes	yes	
Package	LQFP64/80	LQFP48/64	
Operation Voltage	1.8~5.5V	1.8~5.5V	-40°C ~ 85°C
ICP	yes	yes	In-Chip-Programming
ISP	yes	yes	In-System-Programming ISP flash memory is included in the same space of embedded flash memory
IAP	yes	yes	In-Application-Programming IAP flash memory is included in the same space of embedded flash memory

● **Part Number List**

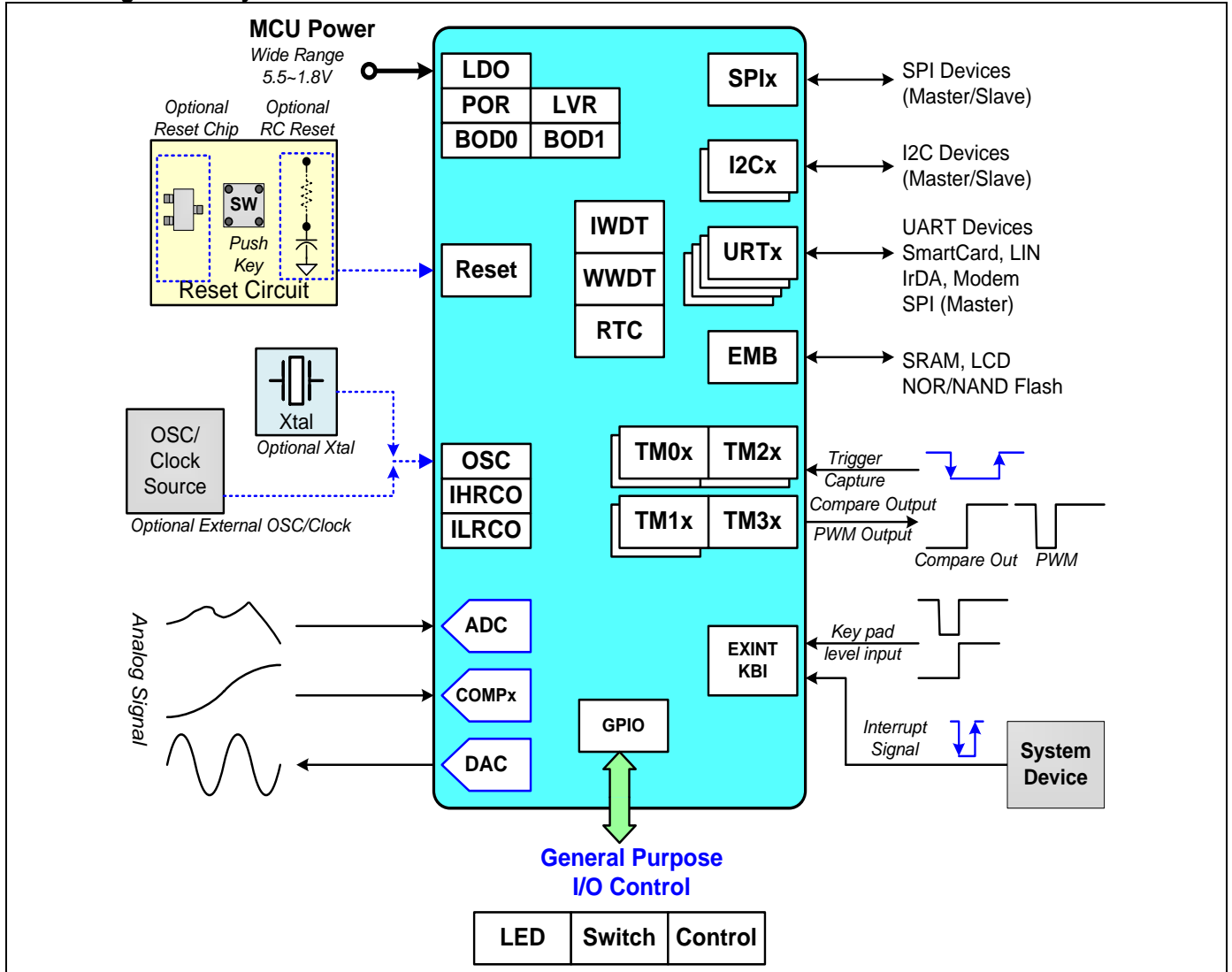
- MG32F02A132AD80 : LQFP80 (10mm x 10mm), 132KB Flash
- MG32F02A132AD64 : LQFP64 (7mm x 7mm), 132KB Flash
- MG32F02A072AD64 : LQFP64 (7mm x 7mm), 72KB Flash
- MG32F02A072AD48 : LQFP48 (7mm x 7mm), 72KB Flash

3. Block Diagram

3.1. System Function Block

The following diagram is showing the system function block for application.

Figure 3-1. System Function Block

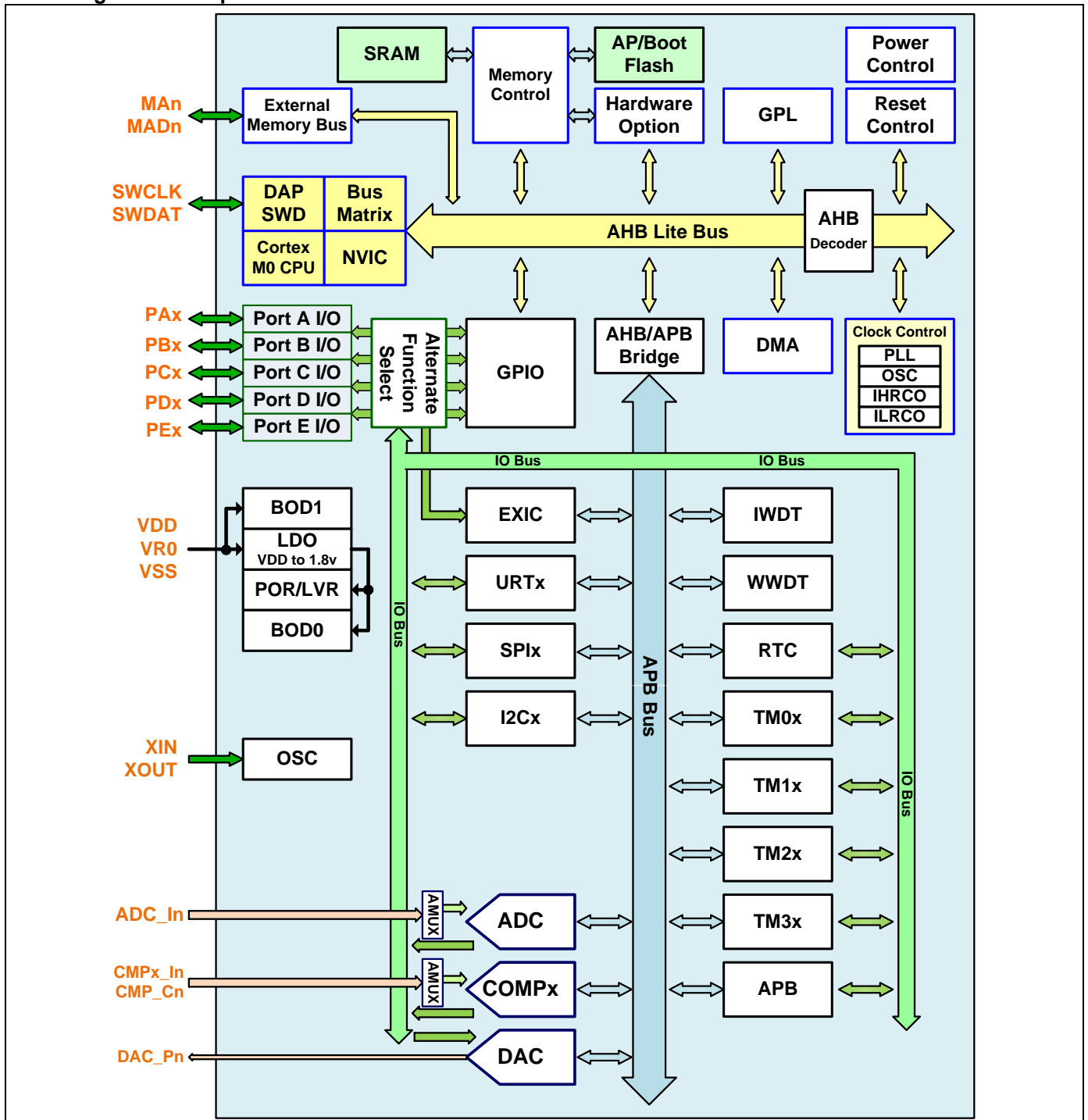


3.2. Chip Main Block

The following diagram is showing the block of internal devices in the chip.

There are one embedded ARM Cortex-M0 processor with NVIC (Nested Vectored Interrupt Controller) and DAP (Debug Access Port); AHB lite bus with SRAM/Flash memory, Power/Reset/Clock system controllers, GPIO control blocks and GPL (General Purpose Logic); APB bus with UART/SPI/I2C communication controllers, timers of general timer / IWDT / WWDT / RTC and analog control block of ADC / analog comparators / DAC; analog devices of POR (power on reset), BOD0/BOD1 (Brown-Out Detectors), ILRCO (Internal Low-frequency RC Oscillator)/IHRCO Internal High-frequency RC Oscillator)/PLL.

Figure 3-2. Chip Main Block

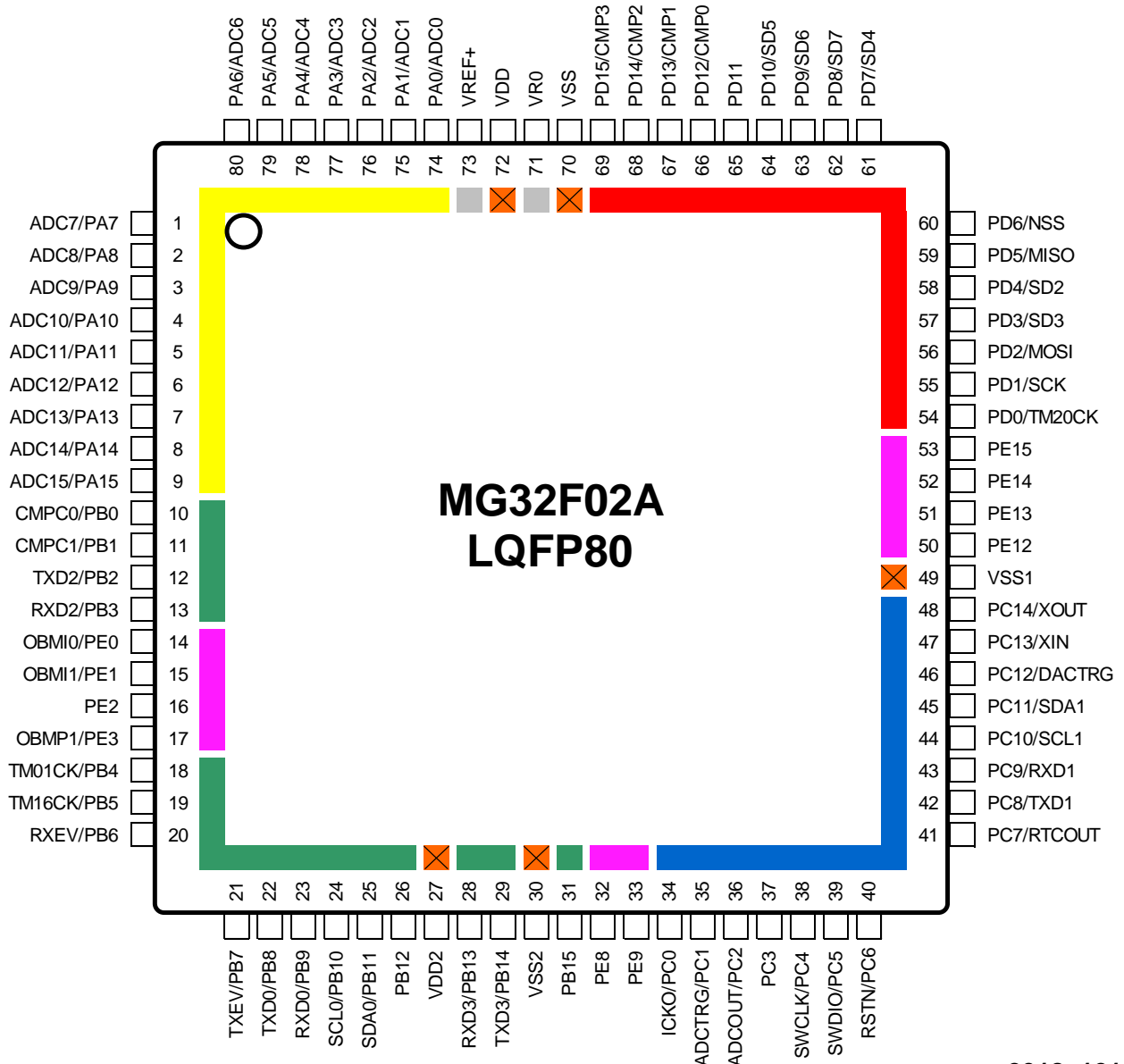


4. Pin Description

4.1. Pin Outline

4.1.1. LQFP80 Package Pinout

Figure 4-1. LQFP80 Package Pinout



2018_1219

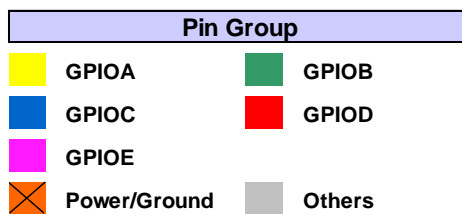


Table 4-1. LQFP80 Pin AFS List

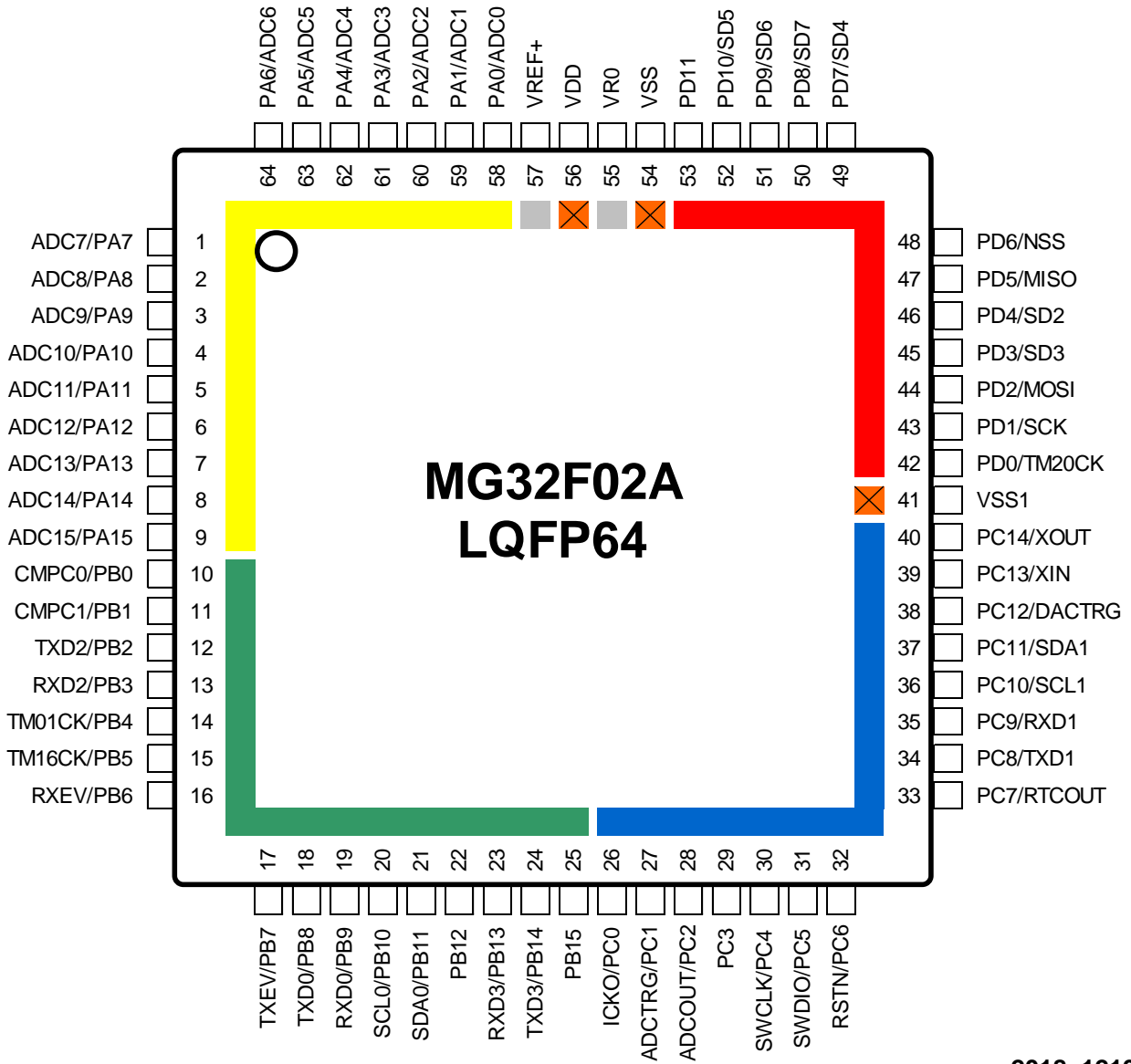
Pin	Name	Pin AFS List	Analog Function
1	PA7	GPA7, MA7	ADC_I7
2	PA8	GPA8, MA8	ADC_I8, CMP0_I0
3	PA9	GPA9, MA9	ADC_I9, CMP0_I1
4	PA10	GPA10, MA10	ADC_I10, CMP1_I0
5	PA11	GPA11, MA11	ADC_I11, CMP1_I1
6	PA12	GPA12, MA12	ADC_I12, CMP2_I0
7	PA13	GPA13, MA13	ADC_I13, CMP2_I1
8	PA14	GPA14, MA14	ADC_I14, CMP3_I0
9	PA15	GPA15, MA15	ADC_I15, CMP3_I1
10	PB0	GPB0, I2C1_SCL, SPI0_NSS, TM01_ETR, TM00_CKO, TM16_ETR, TM26_IC0, MA15	CMP_C0
11	PB1	GPB1, I2C1_SDA, SPI0_MISO, TM01_TRGO, TM10_CKO, TM16_TRGO, TM26_IC1	CMP_C1
12	PB2	GPB2, ADC0_TRG, SPI0_CLK, TM01_CKO, URT2_TX, TM16_CKO, TM26_OC0H	DAC_P0
13	PB3	GPB3, ADC0_OUT, SPI0_MOSI, URT2_RX, TM26_OC1H	
14	PE0	GPE0, OBM_I0, URT0_TX, TM20_OC00, TM26_OC00, MALE	
15	PE1	GPE1, OBM_I1, URT0_RX, DMA_TRG1, TM20_OC01, TM26_OC01, MOE	
16	PE2	GPE2, URT1_TX, TM20_OC02, TM26_OC02, MWE	
17	PE3	GPE3, OBM_P1, URT1_RX, TM20_OC0N, TM26_OC0N, MCE, MALE2	
18	PB4	GPB4, TM01_CKO, SPI0_D3, TM26_TRGO, URT2_CLK, TM20_IC0, TM36_IC0, MALE, MAD8	
19	PB5	GPB5, TM16_CKO, SPI0_D2, TM26_ETR, URT2_NSS, TM20_IC1, TM36_IC1, MOE, MAD9	
20	PB6	GPB6, CPU_RXEV, SPI0_NSSI, URT0_BRO, URT2_CTS, TM20_ETR, TM36_IC2, MWE, MAD10	
21	PB7	GPB7, CPU_TXEV, URT0_TMO, URT2_RTS, TM20_TRGO, TM36_IC3, MCE, MALE2	
22	PB8	GPB8, CMP0_P0, RTC_OUT, URT0_TX, URT2_BRO, TM20_OC01, TM36_OC01, MAD0	
23	PB9	GPB9, CMP1_P0, RTC_TS, URT0_RX, URT2_TMO, TM20_OC02, TM36_OC02, MAD1, MAD8	
24	PB10	GPB10, CMP2_P0, I2C0_SCL, URT0_NSS, URT2_DE, TM20_OC11, TM36_OC11, MAD2, MAD1	
25	PB11	GPB11, CMP3_P0, I2C0_SDA, URT0_DE, TM20_OC12, TM36_OC12, MAD3, MAD9	
26	PB12	GPB12, DMA_TRG0, MAD4, MAD2	
27	VDD2		
28	PB13	GPB13, DAC_TRG0, TM00_ETR, URT0_CTS, URT3_RX, TM20_ETR, TM36_ETR, MAD5, MAD10	
29	PB14	GPB14, TM00_TRGO, URT0_RTS, URT3_TX, TM20_TRGO, TM36_BK0, MAD6, MAD3	
30	VSS2		
31	PB15	GPB15, IR_OUT, MAD7, MAD11	
32	PE8	GPE8, CPU_TXEV, OBM_I0, URT2_TX, TM36_CKO, TM20_CKO, TM26_CKO	
33	PE9	GPE9, CPU_RXEV, OBM_I1, URT2_RX, TM36_TRGO, TM20_TRGO, TM26_TRGO, MOE	
34	PC0	GPC0, ICKO, TM00_CKO, URT0_CLK, URT2_CLK, TM20_OC00, TM36_OC00, MCLK, MWE	
35	PC1	GPC1, ADC0_TRG, TM01_CKO, URT1_CLK, TM20_OC0N, TM36_OC0N, MAD8, MAD4	
36	PC2	GPC2, ADC0_OUT, TM10_CKO, URT2_CLK, TM20_OC10, TM36_OC10, MAD9, MAD12	
37	PC3	GPC3, OBM_P1, TM16_CKO, URT0_CLK, URT1_CLK, TM20_OC1N, TM36_OC1N, MAD10, MAD5	
38	PC4	GPC4, SWCLK, I2C0_SCL, URT0_RX, URT1_RX	
39	PC5	GPC5, SWDIO, I2C0_SDA, URT0_TX, URT1_TX	
40	PC6	GPC6, RSTN, RTC_TS, URT0_NSS, TM20_ETR, TM26_ETR, MBW1, MALE	
41	PC7	GPC7, ADC0_TRG, RTC_OUT, URT0_DE, TM36_TRGO, MBW0, MCE	
42	PC8	GPC8, ADC0_OUT, I2C0_SCL, URT0_BRO, URT1_TX, TM20_OC0H, TM36_OC0H, MAD11, MAD13	
43	PC9	GPC9, CMP0_P0, I2C0_SDA, URT0_TMO, URT1_RX, TM20_OC1H, TM36_OC1H, MAD12, MAD6	
44	PC10	GPC10, CMP1_P0, I2C1_SCL, URT0_TX, URT2_TX, TM36_OC2H, MAD13, MAD14	
45	PC11	GPC11, CMP2_P0, I2C1_SDA, URT0_RX, URT2_RX, TM36_OC3H, MAD14, MAD7	
46	PC12	GPC12, CMP3_P0, IR_OUT, DAC_TRG0, TM10_TRGO, TM36_OC3, MAD15	
47	PC13	GPC13, XIN, URT0_CTS, URT2_RX, TM10_ETR, TM26_ETR	
48	PC14	GPC14, XOUT, URT0_RTS, URT2_TX, TM10_CKO, TM26_TRGO	
49	VSS1		
50	PE12	GPE12, ADC0_TRG, URT3_TX, TM01_CKO, TM16_CKO, TM20_OC10, TM26_OC10, MBW0	
51	PE13	GPE13, ADC0_OUT, URT3_RX, TM01_TRGO, TM16_TRGO, TM20_OC11, TM26_OC11, MBW1	
52	PE14	GPE14, RTC_OUT, TM01_ETR, TM16_ETR, TM20_OC12, TM26_OC12, MALE2	
53	PE15	GPE15, RTC_TS, TM36_ETR, TM20_OC1N, TM26_OC1N, MALE	
54	PD0	GPD0, OBM_I0, TM10_CKO, URT0_CLK, TM20_CKO, TM36_OC2, MCLK	
55	PD1	GPD1, OBM_I1, TM16_CKO, URT0_CLK, TM26_CKO, TM36_OC2N, SPI0_CLK	
56	PD2	GPD2, TM00_CKO, URT1_CLK, TM26_OC00, TM20_CKO, TM36_CKO, SPI0_MOSI, MAD4	
57	PD3	GPD3, TM01_CKO, URT1_CLK, URT3_CLK, TM26_CKO, SPI0_D3, MAD7	
58	PD4	GPD4, TM00_TRGO, TM01_TRGO, URT1_TX, URT3_RTS, TM26_OC00, SPI0_D2, MAD6	
59	PD5	GPD5, TM00_ETR, URT1_RX, URT3_CTS, TM26_OC01, SPI0_MISO, MAD5	
60	PD6	GPD6, CPU_NMI, URT1_NSS, URT3_DE, SPI0_NSSI, TM26_OC02, SPI0_NSS	
61	PD7	GPD7, TM00_CKO, TM01_ETR, URT1_DE, URT3_NSS, TM26_OC0N, SPI0_D4, MAD0	
62	PD8	GPD8, URT1_RTS, URT3_TX, TM26_OC10, SPI0_D7, MAD3	
63	PD9	GPD9, URT1_CTS, URT3_RX, TM26_OC11, SPI0_D6, MAD2	
64	PD10	GPD10, URT1_BRO, URT3_BRO, TM26_OC12, SPI0_D5, MAD1	
65	PD11	GPD11, CPU_NMI, DMA_TRG1, URT1_TMO, URT3_TMO, TM26_OC1N, SPI0_NSS, MWE	
66	PD12	GPD12, CMP0_P0, TM00_CKO, SPI0_CLK, TM20_OC0H, TM26_OC0H, MALE2	
67	PD13	GPD13, CMP1_P0, OBM_P1, TM00_TRGO, TM20_OC1H, TM26_OC1H, MCE	
68	PD14	GPD14, CMP2_P0, DAC_TRG0, TM00_ETR, TM20_IC0, TM26_IC0, MOE	
69	PD15	GPD15, CMP3_P0, IR_OUT, DMA_TRG0, TM20_IC1, TM26_IC1	
70	VSS		
71	VR0		
72	VDD		

MG32F02A132/072

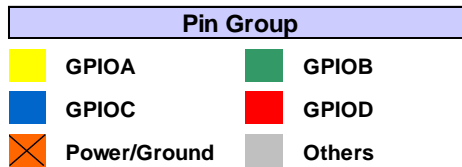
73	VREF+		
74	PA0	GPA0, MA0	ADC_I0
75	PA1	GPA1, MA1	ADC_I1
76	PA2	GPA2, MA2	ADC_I2, VBG_OUT
77	PA3	GPA3, MA3	ADC_I3, ADC_PGA
78	PA4	GPA4, MA4	ADC_I4, ADC_M4
79	PA5	GPA5, MA5	ADC_I5
80	PA6	GPA6, MA6	ADC_I6

4.1.2. LQFP64 Package Pinout

Figure 4-2. LQFP64 Package Pinout



2018_1219



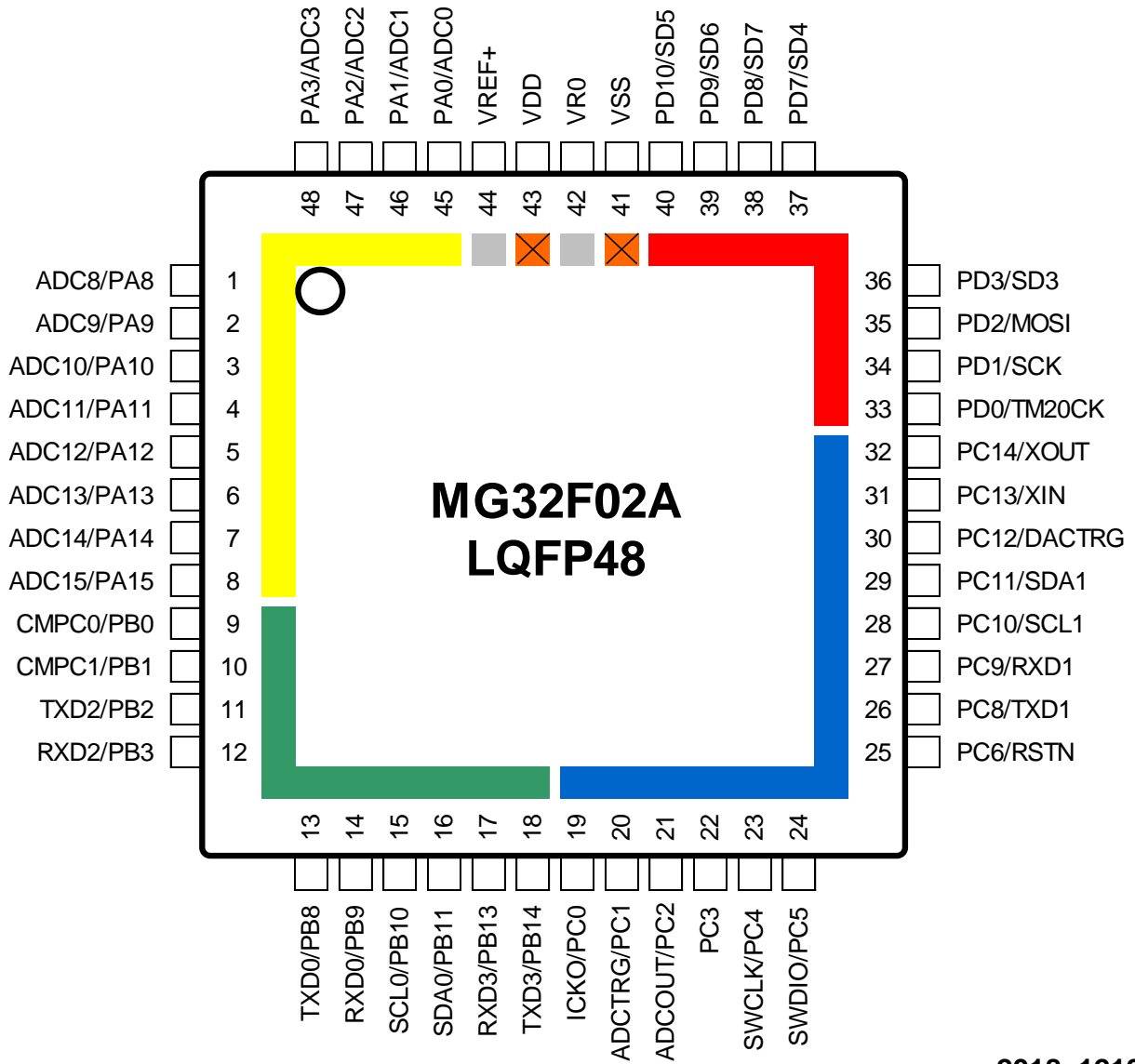
MG32F02A132/072

Table 4-2. LQFP64 Pin AFS List

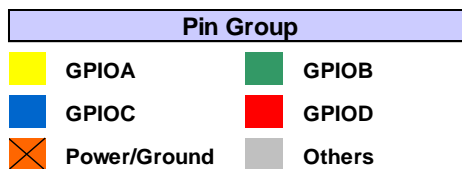
Pin	Name	Pin AFS List	Analog Function
1	PA7	GPA7, MA7	ADC_I7
2	PA8	GPA8, MA8	ADC_I8, CMP0_I0
3	PA9	GPA9, MA9	ADC_I9, CMP0_I1
4	PA10	GPA10, MA10	ADC_I10, CMP1_I0
5	PA11	GPA11, MA11	ADC_I11, CMP1_I1
6	PA12	GPA12, MA12	ADC_I12, CMP2_I0
7	PA13	GPA13, MA13	ADC_I13, CMP2_I1
8	PA14	GPA14, MA14	ADC_I14, CMP3_I0
9	PA15	GPA15, MA15	ADC_I15, CMP3_I1
10	PB0	GPB0, I2C1_SCL, SPI0_NSS, TM01_ETR, TM00_CKO, TM16_ETR, TM26_IC0, MA15	CMP_C0
11	PB1	GPB1, I2C1_SDA, SPI0_MISO, TM01_TRGO, TM10_CKO, TM16_TRGO, TM26_IC1	CMP_C1
12	PB2	GPB2, ADC0_TRG, SPI0_CLK, TM01_CKO, URT2_TX, TM16_CKO, TM26_OC0H	DAC_P0
13	PB3	GPB3, ADC0_OUT, SPI0_MOSI, URT2_RX, TM26_OC1H	
14	PB4	GPB4, TM01_CKO, SPI0_D3, TM26_TRGO, URT2_CLK, TM20_IC0, TM36_IC0, MALE, MAD8	
15	PB5	GPB5, TM16_CKO, SPI0_D2, TM26_ETR, URT2_NSS, TM20_IC1, TM36_IC1, MOE, MAD9	
16	PB6	GPB6, CPU_RXEV, SPI0_NSSI, URT0_BRO, URT2_CTS, TM20_ETR, TM36_IC2, MWE, MAD10	
17	PB7	GPB7, CPU_TXEV, URT0_TMO, URT2_RTS, TM20_TRGO, TM36_IC3, MCE, MALE2	
18	PB8	GPB8, CMP0_P0, RTC_OUT, URT0_TX, URT2_BRO, TM20_OC01, TM36_OC01, MAD0	
19	PB9	GPB9, CMP1_P0, RTC_TS, URT0_RX, URT2_TMO, TM20_OC02, TM36_OC02, MAD1, MAD8	
20	PB10	GPB10, CMP2_P0, I2C0_SCL, URT0_NSS, URT2_DE, TM20_OC11, TM36_OC11, MAD2, MAD1	
21	PB11	GPB11, CMP3_P0, I2C0_SDA, URT0_DE, TM20_OC12, TM36_OC12, MAD3, MAD9	
22	PB12	GPB12, DMA_TRGO, MAD4, MAD2	
23	PB13	GPB13, DAC_TRGO, TM00_ETR, URT0_CTS, URT3_RX, TM20_ETR, TM36_ETR, MAD5, MAD10	
24	PB14	GPB14, TM00_TRGO, URT0_RTS, URT3_TX, TM20_TRGO, TM36_BK0, MAD6, MAD3	
25	PB15	GPB15, IR_OUT, MAD7, MAD11	
26	PC0	GPC0, ICKO, TM00_CKO, URT0_CLK, URT2_CLK, TM20_OC00, TM36_OC00, MCLK, MWE	
27	PC1	GPC1, ADC0_TRG, TM01_CKO, URT1_CLK, TM20_OC0N, TM36_OC0N, MAD8, MAD4	
28	PC2	GPC2, ADC0_OUT, TM10_CKO, URT2_CLK, TM20_OC10, TM36_OC10, MAD9, MAD12	
29	PC3	GPC3, OBM_P1, TM16_CKO, URT0_CLK, URT1_CLK, TM20_OC1N, TM36_OC1N, MAD10, MAD5	
30	PC4	GPC4, SWCLK, I2C0_SCL, URT0_RX, URT1_RX	
31	PC5	GPC5, SWDIO, I2C0_SDA, URT0_TX, URT1_TX	
32	PC6	GPC6, RSTN, RTC_TS, URT0_NSS, TM20_ETR, TM26_ETR, MBW1, MALE	
33	PC7	GPC7, ADC0_TRG, RTC_OUT, URT0_DE, TM36_TRGO, MBW0, MCE	
34	PC8	GPC8, ADC0_OUT, I2C0_SCL, URT0_BRO, URT1_TX, TM20_OC0H, TM36_OC0H, MAD11, MAD13	
35	PC9	GPC9, CMP0_P0, I2C0_SDA, URT0_TMO, URT1_RX, TM20_OC1H, TM36_OC1H, MAD12, MAD6	
36	PC10	GPC10, CMP1_P0, I2C1_SCL, URT0_TX, URT2_TX, TM36_OC2H, MAD13, MAD14	
37	PC11	GPC11, CMP2_P0, I2C1_SDA, URT0_RX, URT2_RX, TM36_OC3H, MAD14, MAD7	
38	PC12	GPC12, CMP3_P0, IR_OUT, DAC_TRGO, TM10_TRGO, TM36_OC3, MAD15	
39	PC13	GPC13, XIN, URT0_CTS, URT2_RX, TM10_ETR, TM26_ETR	
40	PC14	GPC14, XOUT, URT0_RTS, URT2_TX, TM10_CKO, TM26_TRGO	
41	VSS1		
42	PD0	GPD0, OBM_I0, TM10_CKO, URT0_CLK, TM20_CKO, TM36_OC2, MCLK	
43	PD1	GPD1, OBM_I1, TM16_CKO, URT0_CLK, TM26_CKO, TM36_OC2N, SPI0_CLK	
44	PD2	GPD2, TM00_CKO, URT1_CLK, TM26_OC00, TM20_CKO, TM36_CKO, SPI0_MOSI, MAD4	
45	PD3	GPD3, TM01_CKO, URT1_CLK, URT3_CLK, TM26_CKO, SPI0_D3, MAD7	
46	PD4	GPD4, TM00_TRGO, TM01_TRGO, URT1_TX, URT3_RTS, TM26_OC00, SPI0_D2, MAD6	
47	PD5	GPD5, TM00_ETR, URT1_RX, URT3_CTS, TM26_OC01, SPI0_MISO, MAD5	
48	PD6	GPD6, CPU_NMI, URT1_NSS, URT3_DE, SPI0_NSSI, TM26_OC02, SPI0_NSS	
49	PD7	GPD7, TM00_CKO, TM01_ETR, URT1_DE, URT3_NSS, TM26_OC0N, SPI0_D4, MAD0	
50	PD8	GPD8, URT1_RTS, URT3_TX, TM26_OC10, SPI0_D7, MAD3	
51	PD9	GPD9, URT1_CTS, URT3_RX, TM26_OC11, SPI0_D6, MAD2	
52	PD10	GPD10, URT1_BRO, URT3_BRO, TM26_OC12, SPI0_D5, MAD1	
53	PD11	GPD11, CPU_NMI, DMA_TRG1, URT1_TMO, URT3_TMO, TM26_OC1N, SPI0_NSS, MWE	
54	VSS		
55	VR0		
56	VDD		
57	VREF+		
58	PA0	GPA0, MA0	ADC_I0
59	PA1	GPA1, MA1	ADC_I1
60	PA2	GPA2, MA2	ADC_I2, VBG_OUT
61	PA3	GPA3, MA3	ADC_I3, ADC_PGA
62	PA4	GPA4, MA4	ADC_I4, ADC_M4
63	PA5	GPA5, MA5	ADC_I5
64	PA6	GPA6, MA6	ADC_I6

4.1.3. LQFP48 Package Pinout

Figure 4-3. LQFP48 Package Pinout



2018_1219



MG32F02A132/072

Table 4-3. LQFP48 Pin AFS List

Pin	Name	Pin AFS List	Analog Function
1	PA8	GPA8, MA8	ADC_I8, CMP0_I0
2	PA9	GPA9, MA9	ADC_I9, CMP0_I1
3	PA10	GPA10, MA10	ADC_I10, CMP1_I0
4	PA11	GPA11, MA11	ADC_I11, CMP1_I1
5	PA12	GPA12, MA12	ADC_I12, CMP2_I0
6	PA13	GPA13, MA13	ADC_I13, CMP2_I1
7	PA14	GPA14, MA14	ADC_I14, CMP3_I0
8	PA15	GPA15, MA15	ADC_I15, CMP3_I1
9	PB0	GPB0, I2C1_SCL, SPI0_NSS, TM01_ETR, TM00_CKO, TM16_ETR, TM26_IC0, MA15	CMP_C0
10	PB1	GPB1, I2C1_SDA, SPI0_MISO, TM01_TRGO, TM10_CKO, TM16_TRGO, TM26_IC1	CMP_C1
11	PB2	GPB2, ADC0_TRG, SPI0_CLK, TM01_CKO, URT2_TX, TM16_CKO, TM26_OC0H	DAC_P0
12	PB3	GPB3, ADC0_OUT, SPI0_MOSI, URT2_RX, TM26_OC1H	
13	PB8	GPB8, CMP0_P0, RTC_OUT, URT0_TX, URT2_BRO, URT2_TMO, TM20_OC01, TM36_OC01, MAD0	
14	PB9	GPB9, CMP1_P0, RTC_TS, URT0_RX, URT2_TMO, TM20_OC02, TM36_OC02, MAD1, MAD8	
15	PB10	GPB10, CMP2_P0, I2C0_SCL, URT0_NSS, URT2_DE, TM20_OC11, TM36_OC11, MAD2, MAD1	
16	PB11	GPB11, CMP3_P0, I2C0_SDA, URT0_DE, TM20_OC12, TM36_OC12, MAD3, MAD9	
17	PB13	GPB13, DAC_TRGO, TM00_ETR, URT0_CTS, URT3_RX, TM20_ETR, TM36_ETR, MAD5, MAD10	
18	PB14	GPB14, TM00_TRGO, URT0_RTS, URT3_TX, TM20_TRGO, TM36_BK0, MAD6, MAD3	
19	PC0	GPC0, ICKO, TM00_CKO, URT0_CLK, URT2_CLK, TM20_OC00, TM36_OC00, MCLK, MWE	
20	PC1	GPC1, ADC0_TRG, TM01_CKO, URT1_CLK, TM20_OC0N, TM36_OC0N, MAD8, MAD4	
21	PC2	GPC2, ADC0_OUT, TM10_CKO, URT2_CLK, TM20_OC10, TM36_OC10, MAD9, MAD12	
22	PC3	GPC3, OBM_P1, TM16_CKO, URT0_CLK, URT1_CLK, TM20_OC1N, TM36_OC1N, MAD10, MAD5	
23	PC4	GPC4, SWCLK, I2C0_SCL, URT0_RX, URT1_RX	
24	PC5	GPC5, SWDIO, I2C0_SDA, URT0_TX, URT1_TX	
25	PC6	GPC6, RSTN, RTC_TS, URT0_NSS, TM20_ETR, TM26_ETR, MBW1, MALE	
26	PC8	GPC8, ADC0_OUT, I2C0_SCL, URT0_BRO, URT1_TX, TM20_OC0H, TM36_OC0H, MAD11, MAD13	
27	PC9	GPC9, CMP0_P0, I2C0_SDA, URT0_TMO, URT1_RX, TM20_OC1H, TM36_OC1H, MAD12, MAD6	
28	PC10	GPC10, CMP1_P0, I2C1_SCL, URT0_TX, URT2_TX, TM36_OC2H, MAD13, MAD14	
29	PC11	GPC11, CMP2_P0, I2C1_SDA, URT0_RX, URT2_RX, TM36_OC3H, MAD14, MAD7	
30	PC12	GPC12, CMP3_P0, IR_OUT, DAC_TRGO, TM10_TRGO, TM36_OC3, MAD15	
31	PC13	GPC13, XIN, URT0_CTS, URT2_RX, TM10_ETR, TM26_ETR	
32	PC14	GPC14, XOUT, URT0_RTS, URT2_TX, TM10_CKO, TM26_TRGO	
33	PD0	GPD0, OBM_I0, TM10_CKO, URT0_CLK, TM20_CKO, TM36_OC2, MCLK	
34	PD1	GPD1, OBM_I1, TM16_CKO, URT0_CLK, TM26_CKO, TM36_OC2N, SPI0_CLK	
35	PD2	GPD2, TM00_CKO, URT1_CLK, TM26_OC00, TM20_CKO, TM36_CKO, SPI0_MOSI, MAD4	
36	PD3	GPD3, TM01_CKO, URT1_CLK, URT3_CLK, TM26_CKO, SPI0_D3, MAD7	
37	PD7	GPD7, TM00_CKO, TM01_ETR, URT1_DE, URT3_NSS, TM26_OC0N, SPI0_D4, MAD0	
38	PD8	GPD8, URT1_RTS, URT3_TX, TM26_OC10, SPI0_D7, MAD3	
39	PD9	GPD9, URT1_CTS, URT3_RX, TM26_OC11, SPI0_D6, MAD2	
40	PD10	GPD10, URT1_BRO, URT3_BRO, TM26_OC12, SPI0_D5, MAD1	
41	VSS		
42	VR0		
43	VDD		
44	VREF+		
45	PA0	GPA0, MA0	ADC_I0
46	PA1	GPA1, MA1	ADC_I1
47	PA2	GPA2, MA2	ADC_I2, VBG_OUT
48	PA3	GPA3, MA3	ADC_I3, ADC_PGA

4.2. Pin Definition

Table 4-4. Abbreviations for pin definition

IO Type		IO Structure	
P	Power/Ground pin	I	Digital Input
B	Bidirection	P	Output Push-pull capability
I	Input	O	Output Open drain capability
O	Output	Q	Quasi-bidirectional
A	Analog I/O	A	Analog I/O (Digital I/O disable)
AO	Analog output only	U	Internal pull-up
AI	Analog input only	H	High Speed
-		C2	Programmable 2-level driving strength
-		C4	Programmable 4-level driving strength
-		CF	Fixed driving strength(GPIO mode)

Table 4-5. Pin Descriptions

Pin Name	Pin Number			IO Type	Default		IO Structure	Alternate Functions	Description
	LQFP80	LQFP64	LQFP48		Type	Value			
PA0	74	58	45	B	A		A,I,P,O,U,C2	GPA0	GPIO/Interrupt/KBI Port-A function pin--0
								MA0	External memory bus address pin
								ADC_I0	ADC analog single-end/differential plus input channel 0
PA1	75	59	46	B	A		A,I,P,O,U,C2	GPA1	GPIO/Interrupt/KBI Port-A function pin-1
								MA1	External memory bus address pin
								ADC_I1	ADC analog single-end/differential plus input channel 1
PA2	76	60	47	B	A		A,I,P,O,U,C2	GPA2	GPIO/Interrupt/KBI Port-A function pin-2
								MA2	External memory bus address pin
								ADC_I2	ADC analog single-end/differential plus input channel 2
								VBG_OUT	Bandgap voltage output
PA3	77	61	48	B	A		A,I,P,O,U,C2	GPA3	GPIO/Interrupt/KBI Port-A function pin-3
								MA3	External memory bus address pin
								ADC_I3	ADC analog single-end/differential plus input channel 3
								ADC_PGA	ADC PGA voltage output
PA4	78	62		B	A		A,I,P,O,U,C2	GPA4	GPIO/Interrupt/KBI Port-A function pin-4
								MA4	External memory bus address pin
								ADC_I4	ADC analog single-end/differential plus input channel 4
								ADC_M4	ADC analog differential minus input channel 4
PA5	79	63		B	A		A,I,P,O,U,C2	GPA5	GPIO/Interrupt/KBI Port-A function pin-5
								MA5	External memory bus address pin
								ADC_I5	ADC analog single-end/differential plus input channel 5
PA6	80	64		B	A		A,I,P,O,U,C2	GPA6	GPIO/Interrupt/KBI Port-A function pin-6
								MA6	External memory bus address pin
								ADC_I6	ADC analog single-end/differential plus input

MG32F02A132/072

									channel 6
PA7	1	1		B	A		A,I,P,O,U,C2	GPA7	GPIO/Interrupt/KBI Port-A function pin-7
								MA7	External memory bus address pin
								ADC_I7	ADC analog single-end/differential plus input channel 7
PA8	2	2	1	B	A		A,I,P,O,U,C2	GPA8	GPIO/Interrupt/KBI Port-A function pin-8
								MA8	External memory bus address pin
								ADC_I8	ADC analog single-end/differential plus input channel 8
								CMP0_I0	Comparator-0 analog input channel 0
PA9	3	3	2	B	A		A,I,P,O,U,C2	GPA9	GPIO/Interrupt/KBI Port-A function pin-9
								MA9	External memory bus address pin
								ADC_I9	ADC analog single-end/differential plus input channel 9
								CMP0_I1	Comparator-0 analog input channel 1
PA10	4	4	3	B	A		A,I,P,O,U,C2	GPA10	GPIO/Interrupt/KBI Port-A function pin-10
								MA10	External memory bus address pin
								ADC_I10	ADC analog single-end/differential plus input channel 10
								CMP1_I0	Comparator-1 analog input channel 0
PA11	5	5	4	B	A		A,I,P,O,U,C2	GPA11	GPIO/Interrupt/KBI Port-A function pin-11
								MA11	External memory bus address pin
								ADC_I11	ADC analog single-end/differential plus input channel 11
								CMP1_I1	Comparator-1 analog input channel 1
PA12	6	6	5	B	A		A,I,P,O,U,C2	GPA12	GPIO/Interrupt/KBI Port-A function pin-12
								MA12	External memory bus address pin
								ADC_I12	ADC analog single-end/differential plus input channel 12
								CMP2_I0	Comparator-2 analog input channel 0
PA13	7	7	6	B	A		A,I,P,O,U,C2	GPA13	GPIO/Interrupt/KBI Port-A function pin-13
								MA13	External memory bus address pin
								ADC_I13	ADC analog single-end/differential plus input channel 13
								CMP2_I1	Comparator-2 analog input channel 1
PA14	8	8	7	B	A		A,I,P,O,U,C2	GPA14	GPIO/Interrupt/KBI Port-A function pin-14
								MA14	External memory bus address pin
								ADC_I14	ADC analog single-end/differential plus input channel 14
								CMP3_I0	Comparator-3 analog input channel 0
PA15	9	9	8	B	A		A,I,P,O,U,C2	GPA15	GPIO/Interrupt/KBI Port-A function pin-15
								MA15	External memory bus address pin
								ADC_I15	ADC analog single-end/differential plus input channel 15
								CMP3_I1	Comparator-3 analog input channel 1
PB0	10	10	9	B	A		A,I,P,O,U,C2	GPB0	GPIO/Interrupt/KBI Port-B function pin-0
								I2C1_SCL	I2C1 SCL signal
								SPI0_NSS	SPI0 slave select input/output signal

								TM01_ETR	TM01 external trigger/clock input signal
								TM00_CKO	TM00 timer overflow output signal
								TM16_ETR	TM16 external trigger/clock input signal
								TM26_IC0	TM26 input capture channel-0
								MA15	External memory bus address pin
								CMP_C0	Comparator analog input common channel 0
PB1	11	11	10	B	A		A,I,P,O,U,C2	GPB1	GPIO/Interrupt/KBI Port-B function pin-1
								I2C1_SDA	I2C1 SDA signal
								SPI0_MISO	SPI0 master input / slave output signal or data-1 signal for 4-I/O mode
								TM01_TRGO	TM01 trigger output signal
								TM10_CKO	TM10 timer overflow output signal
								TM16_TRGO	TM16 trigger output signal
								TM26_IC1	TM26 input capture channel-1
								CMP_C1	Comparator analog input common channel 1
PB2	12	12	11	B	A		A,I,P,O,U,C2	GPB2	GPIO/Interrupt/KBI Port-B function pin-2
								ADC0_TRG	ADC trigger start input
								SPI0_CLK	SPI0 clock signal
								TM01_CKO	TM01 timer overflow output signal
								URT2_TX	URT2 transmit TX signal, SPI MOSI signal
								TM16_CKO	TM16 timer overflow output signal
								TM26_OC0H	TM26 output compare high channel-0
								DAC_P0	DAC analog output channel 0
PB3	13	13	12	B	A		A,I,P,O,U,C2	GPB3	GPIO/Interrupt/KBI Port-B function pin-3
								ADC0_OUT	ADC threshold window compare output
								SPI0_MOSI	SPI0 master output / slave input signal or data-0 signal for 4-I/O mode
								URT2_RX	URT2 receive RX signal, SPI MISO signal
								TM26_OC1H	TM26 output compare high channel-1
PB4	18	14		B	A		A,I,P,O,U,C2	GPB4	GPIO/Interrupt/KBI Port-B function pin-4
								TM01_CKO	TM01 timer overflow output signal
								SPI0_D3	SPI0 data-3 signal for 4-I/O mode
								TM26_TRGO	TM26 trigger output signal
								URT2_CLK	URT2 clock signal
								TM20_IC0	TM20 input capture channel-0
								TM36_IC0	TM36 input capture channel-0
								MALE	External memory bus address latch enable(ALE) or data/command select(DC) pin
								MAD8	External memory bus address/data pin
PB5	19	15		B	A		A,I,P,O,U,C2	GPB5	GPIO/Interrupt/KBI Port-B function pin-5
								TM16_CKO	TM16 timer overflow output signal
								SPI0_D2	SPI0 data-2 signal for 4-I/O mode
								TM26_ETR	TM26 external trigger/clock input signal
								URT2_NSS	URT2 SPI NSS output signal
								TM20_IC1	TM20 input capture channel-1
								TM36_IC1	TM36 input capture channel-1
								MOE	External memory bus output enable(OE) or read strobe signal(RD) pin
								MAD9	External memory bus address/data pin

MG32F02A132/072

PB6	20	16		B	A	A,I,P,O,U,C2	GPB6	GPIO/Interrupt/KBI Port-B function pin-6
							CPU_RXEV	CPU wakeup event input
							SPI0_NSSI	SPI0 slave select input only signal
							URT0_BRO	URT0 baud-rate timer overflow output signal
							URT2_CTS	URT2 CTS input control signal
							TM20_ETR	TM20 external trigger/clock input signal
							TM36_IC2	TM36 input capture channel-2
							MWE	External memory bus write enable(WE) or write strobe signal(WR) pin
							MAD10	External memory bus address/data pin
PB7	21	17		B	A	A,I,P,O,U,C2	GPB7	GPIO/Interrupt/KBI Port-B function pin-7
							CPU_TXEV	CPU wakeup event output
							URT0_TMO	URT0 timeout timer overflow output signal
							URT2_RTS	URT2 RTS output control signal
							TM20_TRGO	TM20 trigger output signal
							TM36_IC3	TM36 input capture channel-3
							MCE	External memory bus chip enable/select pin
							MALE2	External memory bus 2nd address latch enable(ALE2) or command latch enable(CLE) pin
PB8	22	18	13	B	A	A,I,P,O,U,C2	GPB8	GPIO/Interrupt/KBI Port-B function pin-8
							CMP0_P0	Comparator-0 data output
							RTC_OUT	RTC selection output signal
							URT0_TX	URT0 transmit TX signal, SPI MOSI signal
							URT2_BRO	URT2 baud-rate timer overflow output signal
							TM20_OC01	TM20 output compare channel-01
							TM36_OC01	TM36 output compare channel-01
							MAD0	External memory bus address/data pin
PB9	23	19	14	B	A	A,I,P,O,U,C2	GPB9	GPIO/Interrupt/KBI Port-B function pin-9
							CMP1_P0	Comparator-1 data output
							RTC_TS	RTC time stamp input signal
							URT0_RX	URT0 receive RX signal, SPI MISO signal
							URT2_TMO	URT2 timeout timer overflow output signal
							TM20_OC02	TM20 output compare channel-02
							TM36_OC02	TM36 output compare channel-02
							MAD1	External memory bus address/data pin
MAD8	External memory bus address/data pin							
PB10	24	20	15	B	A	A,I,P,O,U,C2	GPB10	GPIO/Interrupt/KBI Port-B function pin-10
							CMP2_P0	Comparator-2 data output
							I2C0_SCL	I2C0 SCL signal
							URT0_NSS	URT0 SPI NSS output signal
							URT2_DE	URT2 external drive enable output signal
							TM20_OC11	TM20 output compare channel-11
							TM36_OC11	TM36 output compare channel-11
							MAD2	External memory bus address/data pin
							MAD1	External memory bus address/data pin
PB11	25	21	16	B	A	A,I,P,O,U,C2	GPB11	GPIO/Interrupt/KBI Port-B function pin-11
							CMP3_P0	Comparator-3 data output
							I2C0_SDA	I2C0 SDA signal

								URT0_DE	URT0 external drive enable output signal
								TM20_OC12	TM20 output compare channel-12
								TM36_OC12	TM36 output compare channel-12
								MAD3	External memory bus address/data pin
								MAD9	External memory bus address/data pin
PB12	26	22		B	A		A,I,P,O,U,C2	GPB12	GPIO/Interrupt/KBI Port-B function pin-12
								DMA_TRG0	DMA external trigger pin-0 input
								MAD4	External memory bus address/data pin
								MAD2	External memory bus address/data pin
PB13	28	23	17	B	A		A,I,P,O,U,C2	GPB13	GPIO/Interrupt/KBI Port-B function pin-13
								DAC_TRG0	DAC trigger start input
								TM00_ETR	TM00 external trigger/clock input signal
								URT0_CTS	URT0 CTS input control signal
								URT3_RX	URT3 receive RX signal, SPI MISO signal
								TM20_ETR	TM20 external trigger/clock input signal
								TM36_ETR	TM36 external trigger/clock input signal
								MAD5	External memory bus address/data pin
								MAD10	External memory bus address/data pin
PB14	29	24	18	B	A		A,I,P,O,U,C2	GPB14	GPIO/Interrupt/KBI Port-B function pin-14
								TM00_TRGO	TM00 trigger output signal
								URT0_RTS	URT0 RTS output control signal
								URT3_TX	URT3 transmit TX signal, SPI MOSI signal
								TM20_TRGO	TM20 trigger output signal
								TM36_BK0	TM36 break input signal
								MAD6	External memory bus address/data pin
								MAD3	External memory bus address/data pin
PB15	31	25		B	A		A,I,P,O,U,C2	GPB15	GPIO/Interrupt/KBI Port-B function pin-15
								IR_OUT	IR output signal
								MAD7	External memory bus address/data pin
								MAD11	External memory bus address/data pin
PC0	34	26	19	B	Q	H	A,I,P,O,Q,U,H,C 2	GPC0	GPIO/Interrupt/KBI Port-C function pin-0
								ICKO	Internal clock source clock output
								TM00_CKO	TM00 timer overflow output signal
								URT0_CLK	URT0 clock signal
								URT2_CLK	URT2 clock signal
								TM20_OC00	TM20 output compare channel-00
								TM36_OC00	TM36 output compare channel-00
								MCLK	External memory bus clock pin
								MWE	External memory bus write enable(WE) or write strobe signal(WR) pin
PC1	35	27	20	B	Q	H	A,I,P,O,Q,U,H,C 2	GPC1	GPIO/Interrupt/KBI Port-C function pin-1
								ADC0_TRG	ADC trigger start input
								TM01_CKO	TM01 timer overflow output signal
								URT1_CLK	URT1 clock signal
								TM20_OC0N	TM20 output compare complement channel-0
								TM36_OC0N	TM36 output compare complement channel-0
								MAD8	External memory bus address/data pin
								MAD4	External memory bus address/data pin
PC2	36	28	21	B	Q	H	A,I,P,O,Q,U,H,C	GPC2	GPIO/Interrupt/KBI Port-C function pin-2

MG32F02A132/072

							2	ADC0_OUT	ADC threshold window compare output
								TM10_CKO	TM10 timer overflow output signal
								URT2_CLK	URT2 clock signal
								TM20_OC10	TM20 output compare channel-10
								TM36_OC10	TM36 output compare channel-10
								MAD9	External memory bus address/data pin
								MAD12	External memory bus address/data pin
PC3	37	29	22	B	Q	H	A,I,P,O,Q,U,H,C 2	GPC3	GPIO/Interrupt/KBI Port-C function pin-3
								OBM_P1	Output signal break control output signal-1
								TM16_CKO	TM16 timer overflow output signal
								URT0_CLK	URT0 clock signal
								URT1_CLK	URT1 clock signal
								TM20_OC1N	TM20 output compare complement channel-1
								TM36_OC1N	TM36 output compare complement channel-1
								MAD10	External memory bus address/data pin
								MAD5	External memory bus address/data pin
PC4	38	30	23	B	Q	H	A,I,P,O,Q,U,C2	GPC4	GPIO/Interrupt/KBI Port-C function pin-4
								SWCLK	Serial wire debug clock signal
								I2C0_SCL	I2C0 SCL signal
								URT0_RX	URT0 receive RX signal, SPI MISO signal
								URT1_RX	URT1 receive RX signal, SPI MISO signal
PC5	39	31	24	B	Q	H	A,I,P,O,Q,U,C2	GPC5	GPIO/Interrupt/KBI Port-C function pin-5
								SWDIO	Serial wire debug data signal
								I2C0_SDA	I2C0 SDA signal
								URT0_TX	URT0 transmit TX signal, SPI MOSI signal
								URT1_TX	URT1 transmit TX signal, SPI MOSI signal
PC6	40	32	25	B	Q	H	A,I,P,O,Q,U,CF	GPC6	GPIO/Interrupt/KBI Port-C function pin-6
								RSTN	External hardware reset input
								RTC_TS	RTC time stamp input signal
								URT0_NSS	URT0 SPI NSS output signal
								TM20_ETR	TM20 external trigger/clock input signal
								TM26_ETR	TM26 external trigger/clock input signal
								MBW1	External memory bus byte write enable 1 pin
								MALE	External memory bus address latch enable(ALE) or data/command select(DC) pin
PC7	41	33		B	Q	H	A,I,P,O,Q,U,C2	GPC7	GPIO/Interrupt/KBI Port-C function pin-7
								ADC0_TRG	ADC trigger start input
								RTC_OUT	RTC selection output signal
								URT0_DE	URT0 external drive enable output signal
								TM36_TRGO	TM36 trigger output signal
								MBW0	External memory bus byte write enable 0 or the least significant bit of the address pin
								MCE	External memory bus chip enable/select pin
PC8	42	34	26	B	Q	H	A,I,P,O,Q,U,C2	GPC8	GPIO/Interrupt/KBI Port-C function pin-8
								ADC0_OUT	ADC threshold window compare output
								I2C0_SCL	I2C0 SCL signal
								URT0_BRO	URT0 baud-rate timer overflow output signal
								URT1_TX	URT1 transmit TX signal, SPI MOSI signal
								TM20_OC0H	TM20 output compare high channel-0

								TM36_OC0H	TM36 output compare high channel-0
								MAD11	External memory bus address/data pin
								MAD13	External memory bus address/data pin
PC9	43	35	27	B	Q	H	A,I,P,O,Q,U,C2	GPC9	GPIO/Interrupt/KBI Port-C function pin-9
								CMP0_P0	Comparator-0 data output
								I2C0_SDA	I2C0 SDA signal
								URT0_TMO	URT0 timeout timer overflow output signal
								URT1_RX	URT1 receive RX signal, SPI MISO signal
								TM20_OC1H	TM20 output compare high channel-1
								TM36_OC1H	TM36 output compare high channel-1
								MAD12	External memory bus address/data pin
								MAD6	External memory bus address/data pin
								PC10	44
CMP1_P0	Comparator-1 data output								
I2C1_SCL	I2C1 SCL signal								
URT0_TX	URT0 transmit TX signal, SPI MOSI signal								
URT2_TX	URT2 transmit TX signal, SPI MOSI signal								
TM36_OC2H	TM36 output compare high channel-2								
MAD13	External memory bus address/data pin								
MAD14	External memory bus address/data pin								
PC11	45	37	29	B	Q	H	A,I,P,O,Q,U,C2	GPC11	GPIO/Interrupt/KBI Port-C function pin-11
								CMP2_P0	Comparator-2 data output
								I2C1_SDA	I2C1 SDA signal
								URT0_RX	URT0 receive RX signal, SPI MISO signal
								URT2_RX	URT2 receive RX signal, SPI MISO signal
								TM36_OC3H	TM36 output compare high channel-3
								MAD14	External memory bus address/data pin
MAD7	External memory bus address/data pin								
PC12	46	38	30	B	Q	H	A,I,P,O,Q,U,C2	GPC12	GPIO/Interrupt/KBI Port-C function pin-12
								CMP3_P0	Comparator-3 data output
								IR_OUT	IR output signal
								DAC_TRG0	DAC trigger start input
								TM10_TRGO	TM10 trigger output signal
								TM36_OC3	TM36 output compare channel-3
MAD15	External memory bus address/data or the least significant bit of the address								
PC13	47	39	31	B	Q	H	A,I,P,O,Q,U,CF	GPC13	GPIO/Interrupt/KBI Port-C function pin-13
								XIN	External Xtal/OSC input
								URT0_CTS	URT0 CTS input control signal
								URT2_RX	URT2 receive RX signal, SPI MISO signal
								TM10_ETR	TM10 external trigger/clock input signal
TM26_ETR	TM26 external trigger/clock input signal								
PC14	48	40	32	B	Q	H	A,I,P,O,Q,U,H,C F	GPC14	GPIO/Interrupt/KBI Port-C function pin-14
								XOUT	External Xtal output
								URT0_RTS	URT0 RTS output control signal
								URT2_TX	URT2 transmit TX signal, SPI MOSI signal
								TM10_CKO	TM10 timer overflow output signal
TM26_TRGO	TM26 trigger output signal								
PD0	54	42	33	B	A		A,I,P,O,U,H,C2	GPDD0	GPIO/Interrupt/KBI Port-D function pin-0

MG32F02A132/072

									OBM_I0	Output signal break control input signal-0
									TM10_CKO	TM10 timer overflow output signal
									URT0_CLK	URT0 clock signal
									TM20_CKO	TM20 timer overflow output signal
									TM36_OC2	TM36 output compare channel-2
									MCLK	External memory bus clock pin
PD1	55	43	34	B	A		A,I,P,O,U,H,C2	GPD1	GPIO/Interrupt/KBI Port-D function pin-1	
								OBM_I1	Output signal break control input signal-1	
								TM16_CKO	TM16 timer overflow output signal	
								URT0_CLK	URT0 clock signal	
								TM26_CKO	TM26 timer overflow output signal	
								TM36_OC2N	TM36 output compare complement channel-2	
								SPI0_CLK	SPI0 clock signal	
PD2	56	44	35	B	A		A,I,P,O,U,H,C2	GPD2	GPIO/Interrupt/KBI Port-D function pin-2	
								TM00_CKO	TM00 timer overflow output signal	
								URT1_CLK	URT1 clock signal	
								TM26_OC00	TM26 output compare channel-00	
								TM20_CKO	TM20 timer overflow output signal	
								TM36_CKO	TM36 timer overflow output signal	
								SPI0_MOSI	SPI0 master output / slave input signal or data-0 signal for 4-I/O mode	
								MAD4	External memory bus address/data pin	
PD3	57	45	36	B	A		A,I,P,O,U,H,C2	GPD3	GPIO/Interrupt/KBI Port-D function pin-3	
								TM01_CKO	TM01 timer overflow output signal	
								URT1_CLK	URT1 clock signal	
								URT3_CLK	URT3 clock signal	
								TM26_CKO	TM26 timer overflow output signal	
								SPI0_D3	SPI0 data-3 signal for 4-I/O mode	
								MAD7	External memory bus address/data pin	
PD4	58	46		B	A		A,I,P,O,U,C2	GPD4	GPIO/Interrupt/KBI Port-D function pin-4	
								TM00_TRGO	TM00 trigger output signal	
								TM01_TRGO	TM01 trigger output signal	
								URT1_TX	URT1 transmit TX signal, SPI MOSI signal	
								URT3_RTS	URT3 RTS output control signal	
								TM26_OC00	TM26 output compare channel-00	
								SPI0_D2	SPI0 data-2 signal for 4-I/O mode	
								MAD6	External memory bus address/data pin	
PD5	59	47		B	A		A,I,P,O,U,C2	GPD5	GPIO/Interrupt/KBI Port-D function pin-5	
								TM00_ETR	TM00 external trigger/clock input signal	
								URT1_RX	URT1 receive RX signal, SPI MISO signal	
								URT3_CTS	URT3 CTS input control signal	
								TM26_OC01	TM26 output compare channel-01	
								SPI0_MISO	SPI0 master input / slave output signal or data-1 signal for 4-I/O mode	
								MAD5	External memory bus address/data pin	
PD6	60	48		B	A		A,I,P,O,U,C2	GPD6	GPIO/Interrupt/KBI Port-D function pin-6	
								CPU_NMI	CPU NMI external pin input	
								URT1_NSS	URT1 SPI NSS output signal	
								URT3_DE	URT3 external drive enable output signal	

								SPI0_NSSI	SPI0 slave select input only signal
								TM26_OC02	TM26 output compare channel-02
								SPI0_NSS	SPI0 slave select input/output signal
PD7	61	49	37	B	A		A,I,P,O,U,C2	GPD7	GPIO/Interrupt/KBI Port-D function pin-7
								TM00_CKO	TM00 timer overflow output signal
								TM01_ETR	TM01 external trigger/clock input signal
								URT1_DE	URT1 external drive enable output signal
								URT3_NSS	URT3 SPI NSS output signal
								TM26_OC0N	TM26 output compare complement channel-0
								SPI0_D4	SPI0 data-0 signal for 2nd SPI device 4-I/O mode
								MAD0	External memory bus address/data pin
PD8	62	50	38	B	A		A,I,P,O,U,C2	GPD8	GPIO/Interrupt/KBI Port-D function pin-8
								URT1_RTS	URT1 RTS output control signal
								URT3_TX	URT3 transmit TX signal, SPI MOSI signal
								TM26_OC10	TM26 output compare channel-10
								SPI0_D7	SPI0 data-3 signal for 2nd SPI device 4-I/O mode
								MAD3	External memory bus address/data pin
PD9	63	51	39	B	A		A,I,P,O,U,C2	GPD9	GPIO/Interrupt/KBI Port-D function pin-9
								URT1_CTS	URT1 CTS input control signal
								URT3_RX	URT3 receive RX signal, SPI MISO signal
								TM26_OC11	TM26 output compare channel-11
								SPI0_D6	SPI0 data-2 signal for 2nd SPI device 4-I/O mode
								MAD2	External memory bus address/data pin
PD10	64	52	40	B	A		A,I,P,O,U,C2	GPD10	GPIO/Interrupt/KBI Port-D function pin-10
								URT1_BRO	URT1 baud-rate timer overflow output signal
								URT3_BRO	URT3 baud-rate timer overflow output signal
								TM26_OC12	TM26 output compare channel-12
								SPI0_D5	SPI0 data-1 signal for 2nd SPI device 4-I/O mode
								MAD1	External memory bus address/data pin
PD11	65	53		B	A		A,I,P,O,U,C2	GPD11	GPIO/Interrupt/KBI Port-D function pin-11
								CPU_NMI	CPU NMI external pin input
								DMA_TRG1	DMA external trigger pin-1 input
								URT1_TMO	URT1 timeout timer overflow output signal
								URT3_TMO	URT3 timeout timer overflow output signal
								TM26_OC1N	TM26 output compare complement channel-1
								SPI0_NSS	SPI0 slave select input/output signal
								MWE	External memory bus write enable(WE) or write strobe signal(WR) pin
PD12	66			B	A		A,I,P,O,U,C2	GPD12	GPIO/Interrupt/KBI Port-D function pin-12
								CMP0_P0	Comparator-0 data output
								TM00_CKO	TM00 timer overflow output signal
								SPI0_CLK	SPI0 clock signal
								TM20_OC0H	TM20 output compare high channel-0
								TM26_OC0H	TM26 output compare high channel-0

MG32F02A132/072

							MALE2	External memory bus 2nd address latch enable(ALE2) or command latch enable(CLE) pin
PD13	67		B	A		A,I,P,O,U,C2	GPD13	GPIO/Interrupt/KBI Port-D function pin-13
							CMP1_P0	Comparator-1 data output
							OBM_P1	Output signal break control output signal-1
							TM00_TRGO	TM00 trigger output signal
							TM20_OC1H	TM20 output compare high channel-1
							TM26_OC1H	TM26 output compare high channel-1
							MCE	External memory bus chip enable/select pin
PD14	68		B	A		A,I,P,O,U,C2	GPD14	GPIO/Interrupt/KBI Port-D function pin-14
							CMP2_P0	Comparator-2 data output
							DAC_TRG0	DAC trigger start input
							TM00_ETR	TM00 external trigger/clock input signal
							TM20_IC0	TM20 input capture channel-0
							TM26_IC0	TM26 input capture channel-0
							MOE	External memory bus output enable(OE) or read strobe signal(RD) pin
PD15	69		B	A		A,I,P,O,U,C2	GPD15	GPIO/Interrupt/KBI Port-D function pin-15
							CMP3_P0	Comparator-3 data output
							IR_OUT	IR output signal
							DMA_TRG0	DMA external trigger pin-0 input
							TM20_IC1	TM20 input capture channel-1
							TM26_IC1	TM26 input capture channel-1
PE0	14		B	A		A,I,P,O,U,C4	GPE0	GPIO/Interrupt/KBI Port-E function pin-0
							OBM_I0	Output signal break control input signal-0
							URT0_TX	URT0 transmit TX signal, SPI MOSI signal
							TM20_OC00	TM20 output compare channel-00
							TM26_OC00	TM26 output compare channel-00
MALE	External memory bus address latch enable(ALE) or data/command select(DC) pin							
PE1	15		B	A		A,I,P,O,U,C4	GPE1	GPIO/Interrupt/KBI Port-E function pin-1
							OBM_I1	Output signal break control input signal-1
							URT0_RX	URT0 receive RX signal, SPI MISO signal
							DMA_TRG1	DMA external trigger pin-1 input
							TM20_OC01	TM20 output compare channel-01
							TM26_OC01	TM26 output compare channel-01
MOE	External memory bus output enable(OE) or read strobe signal(RD) pin							
PE2	16		B	A		A,I,P,O,U,C4	GPE2	GPIO/Interrupt/KBI Port-E function pin-2
							URT1_TX	URT1 transmit TX signal, SPI MOSI signal
							TM20_OC02	TM20 output compare channel-02
							TM26_OC02	TM26 output compare channel-02
MWE	External memory bus write enable(WE) or write strobe signal(WR) pin							
PE3	17		B	A		A,I,P,O,U,C4	GPE3	GPIO/Interrupt/KBI Port-E function pin-3
							OBM_P1	Output signal break control output signal-1
							URT1_RX	URT1 receive RX signal, SPI MISO signal
							TM20_OC0N	TM20 output compare complement channel-0

							TM26_OC0N	TM26 output compare complement channel-0
							MCE	External memory bus chip enable/select pin
							MALE2	External memory bus 2nd address latch enable(ALE2) or command latch enable(CLE) pin
PE8	32		B	A		A,I,P,O,U,C2	GPE8	GPIO/Interrupt/KBI Port-E function pin-8
							CPU_TXEV	CPU wakeup event output
							OBM_I0	Output signal break control input signal-0
							URT2_TX	URT2 transmit TX signal, SPI MOSI signal
							TM36_CKO	TM36 timer overflow output signal
							TM20_CKO	TM20 timer overflow output signal
							TM26_CKO	TM26 timer overflow output signal
PE9	33		B	A		A,I,P,O,U,C2	GPE9	GPIO/Interrupt/KBI Port-E function pin-9
							CPU_RXEV	CPU wakeup event input
							OBM_I1	Output signal break control input signal-1
							URT2_RX	URT2 receive RX signal, SPI MISO signal
							TM36_TRGO	TM36 trigger output signal
							TM20_TRGO	TM20 trigger output signal
							TM26_TRGO	TM26 trigger output signal
MOE	External memory bus output enable(OE) or read strobe signal(RD) pin							
PE12	50		B	A		A,I,P,O,U,C2	GPE12	GPIO/Interrupt/KBI Port-E function pin-12
							ADC0_TRG	ADC trigger start input
							URT3_TX	URT3 transmit TX signal, SPI MOSI signal
							TM01_CKO	TM01 timer overflow output signal
							TM16_CKO	TM16 timer overflow output signal
							TM20_OC10	TM20 output compare channel-10
							TM26_OC10	TM26 output compare channel-10
MBW0	External memory bus byte write enable 0 or the least significant bit of the address pin							
PE13	51		B	A		A,I,P,O,U,C2	GPE13	GPIO/Interrupt/KBI Port-E function pin-13
							ADC0_OUT	ADC threshold window compare output
							URT3_RX	URT3 receive RX signal, SPI MISO signal
							TM01_TRGO	TM01 trigger output signal
							TM16_TRGO	TM16 trigger output signal
							TM20_OC11	TM20 output compare channel-11
							TM26_OC11	TM26 output compare channel-11
MBW1	External memory bus byte write enable 1 pin							
PE14	52		B	A		A,I,P,O,U,C2	GPE14	GPIO/Interrupt/KBI Port-E function pin-14
							RTC_OUT	RTC selection output signal
							TM01_ETR	TM01 external trigger/clock input signal
							TM16_ETR	TM16 external trigger/clock input signal
							TM20_OC12	TM20 output compare channel-12
							TM26_OC12	TM26 output compare channel-12
PE15	53		B	A		A,I,P,O,U,C2	GPE15	GPIO/Interrupt/KBI Port-E function pin-15
							RTC_TS	RTC time stamp input signal

MG32F02A132/072

									TM36_ETR	TM36 external trigger/clock input signal
									TM20_OC1N	TM20 output compare complement channel-1
									TM26_OC1N	TM26 output compare complement channel-1
									MALE	External memory bus address latch enable(ALE) or data/command select(DC) pin
VSS	70	54	41	P						IO/Core/ADC ground
VSS2	30			P						IO ground
VSS1	49	41		P						IO ground
VR0	71	55	42	AO	AO					Core power supply/LDO output (place 0.1uF+4.7uF capacitors and close pin)
VDD	72	56	43	P						IO power supply/LDO input (place 0.1uF+10uF capacitors and close pin)
VDD2	27			P						IO power supply (place 0.1uF+10uF capacitors and close pin)
VREF+	73	57	44	AI	AI					ADC voltage reference (place 0.1uF+4.7uF capacitors and close pin)

4.3. Pin AFS Summary Table

The following table is the AFS signal list of the related IO pin for all pins' summary. (AFS=n, n : I/O pin AFS setting value)

Table 4-6. Pin Alternate Functions Selected Table

Pin Name	AFS=0	AFS=1	AFS=2	AFS=3	AFS=4	AFS=5	AFS=6	AFS=7	AFS=8	AFS=9
PA0	GPA0								MA0	
PA1	GPA1								MA1	
PA2	GPA2								MA2	
PA3	GPA3								MA3	
PA4	GPA4								MA4	
PA5	GPA5								MA5	
PA6	GPA6								MA6	
PA7	GPA7								MA7	
PA8	GPA8								MA8	
PA9	GPA9								MA9	
PA10	GPA10								MA10	
PA11	GPA11								MA11	
PA12	GPA12								MA12	
PA13	GPA13								MA13	
PA14	GPA14								MA14	
PA15	GPA15								MA15	
PB0	GPB0	I2C1_SCL	SPI0_NSS	TM01_ETR	TM00_CKO	TM16_ETR	TM26_IC0		MA15	
PB1	GPB1	I2C1_SDA	SPI0_MISO	TM01_TRGO	TM10_CKO	TM16_TRGO	TM26_IC1			
PB2	GPB2	ADC0_TRG	SPI0_CLK	TM01_CKO	URT2_TX	TM16_CKO	TM26_OC0H			
PB3	GPB3	ADC0_OUT	SPI0_MOSI		URT2_RX		TM26_OC1H			
PB4	GPB4	TM01_CKO	SPI0_D3	TM26_TRGO	URT2_CLK	TM20_IC0	TM36_IC0		MALE	MAD8
PB5	GPB5	TM16_CKO	SPI0_D2	TM26_ETR	URT2_NSS	TM20_IC1	TM36_IC1		MOE	MAD9
PB6	GPB6	CPU_RXEV	SPI0_NSSI	URT0_BRO	URT2_CTS	TM20_ETR	TM36_IC2		MWE	MAD10
PB7	GPB7	CPU_TXEV		URT0_TMO	URT2_RTS	TM20_TRGO	TM36_IC3		MCE	MALE2
PB8	GPB8	CMP0_P0	RTC_OUT	URT0_TX	URT2_BRO	TM20_OC01	TM36_OC01		MAD0	
PB9	GPB9	CMP1_P0	RTC_TS	URT0_RX	URT2_TMO	TM20_OC02	TM36_OC02		MAD1	MAD8
PB10	GPB10	CMP2_P0	I2C0_SCL	URT0_NSS	URT2_DE	TM20_OC11	TM36_OC11		MAD2	MAD1
PB11	GPB11	CMP3_P0	I2C0_SDA	URT0_DE		TM20_OC12	TM36_OC12		MAD3	MAD9
PB12	GPB12	DMA_TRG0							MAD4	MAD2
PB13	GPB13	DAC_TRG0	TM00_ETR	URT0_CTS	URT3_RX	TM20_ETR	TM36_ETR		MAD5	MAD10
PB14	GPB14		TM00_TRGO	URT0_RTS	URT3_TX	TM20_TRGO	TM36_BK0		MAD6	MAD3
PB15	GPB15	IR_OUT							MAD7	MAD11
PC0	GPC0	ICKO	TM00_CKO	URT0_CLK	URT2_CLK	TM20_OC00	TM36_OC00		MCLK	MWE
PC1	GPC1	ADC0_TRG	TM01_CKO		URT1_CLK	TM20_OC0N	TM36_OC0N		MAD8	MAD4
PC2	GPC2	ADC0_OUT	TM10_CKO		URT2_CLK	TM20_OC10	TM36_OC10		MAD9	MAD12
PC3	GPC3	OBM_P1	TM16_CKO	URT0_CLK	URT1_CLK	TM20_OC1N	TM36_OC1N		MAD10	MAD5
PC4	GPC4	SWCLK	I2C0_SCL	URT0_RX	URT1_RX					
PC5	GPC5	SWDIO	I2C0_SDA	URT0_TX	URT1_TX					
PC6	GPC6	RSTN	RTC_TS	URT0_NSS		TM20_ETR	TM26_ETR		MBW1	MALE
PC7	GPC7	ADC0_TRG	RTC_OUT	URT0_DE			TM36_TRGO		MBW0	MCE
PC8	GPC8	ADC0_OUT	I2C0_SCL	URT0_BRO	URT1_TX	TM20_OC0H	TM36_OC0H		MAD11	MAD13

MG32F02A132/072

PC9	GPC9	CMP0_P0	I2C0_SDA	URT0_TMO	URT1_RX	TM20_OC1H	TM36_OC1H		MAD12	MAD6
PC10	GPC10	CMP1_P0	I2C1_SCL	URT0_TX	URT2_TX		TM36_OC2H		MAD13	MAD14
PC11	GPC11	CMP2_P0	I2C1_SDA	URT0_RX	URT2_RX		TM36_OC3H		MAD14	MAD7
PC12	GPC12	CMP3_P0	IR_OUT	DAC_TRG0		TM10_TRGO	TM36_OC3		MAD15	
PC13	GPC13	XIN		URT0_CTS	URT2_RX	TM10_ETR	TM26_ETR			
PC14	GPC14	XOUT		URT0_RTS	URT2_TX	TM10_CKO	TM26_TRGO			
PD0	GPD0	OBM_I0	TM10_CKO	URT0_CLK		TM20_CKO	TM36_OC2			MCLK
PD1	GPD1	OBM_I1	TM16_CKO	URT0_CLK		TM26_CKO	TM36_OC2N	SPI0_CLK		
PD2	GPD2		TM00_CKO	URT1_CLK	TM26_OC00	TM20_CKO	TM36_CKO	SPI0_MOSI		MAD4
PD3	GPD3		TM01_CKO	URT1_CLK	URT3_CLK		TM26_CKO	SPI0_D3		MAD7
PD4	GPD4	TM00_TRGO	TM01_TRGO	URT1_TX	URT3_RTS		TM26_OC00	SPI0_D2		MAD6
PD5	GPD5	TM00_ETR		URT1_RX	URT3_CTS		TM26_OC01	SPI0_MISO		MAD5
PD6	GPD6	CPU_NMI		URT1_NSS	URT3_DE	SPI0_NSSI	TM26_OC02	SPI0_NSS		
PD7	GPD7	TM00_CKO	TM01_ETR	URT1_DE	URT3_NSS		TM26_OC0N	SPI0_D4		MAD0
PD8	GPD8			URT1_RTS	URT3_TX		TM26_OC10	SPI0_D7		MAD3
PD9	GPD9			URT1_CTS	URT3_RX		TM26_OC11	SPI0_D6		MAD2
PD10	GPD10			URT1_BRO	URT3_BRO		TM26_OC12	SPI0_D5		MAD1
PD11	GPD11	CPU_NMI	DMA_TRG1	URT1_TMO	URT3_TMO		TM26_OC1N	SPI0_NSS		MWE
PD12	GPD12	CMP0_P0			TM00_CKO	SPI0_CLK	TM20_OC0H	TM26_OC0H		MALE2
PD13	GPD13	CMP1_P0		OBM_P1	TM00_TRGO		TM20_OC1H	TM26_OC1H		MCE
PD14	GPD14	CMP2_P0		DAC_TRG0	TM00_ETR		TM20_IC0	TM26_IC0		MOE
PD15	GPD15	CMP3_P0		IR_OUT	DMA_TRG0		TM20_IC1	TM26_IC1		
PE0	GPE0	OBM_I0		URT0_TX			TM20_OC00	TM26_OC00	MALE	
PE1	GPE1	OBM_I1		URT0_RX	DMA_TRG1		TM20_OC01	TM26_OC01	MOE	
PE2	GPE2			URT1_TX			TM20_OC02	TM26_OC02	MWE	
PE3	GPE3	OBM_P1		URT1_RX			TM20_OC0N	TM26_OC0N	MCE	MALE2
PE8	GPE8	CPU_TXEV	OBM_I0	URT2_TX		TM36_CKO	TM20_CKO	TM26_CKO		
PE9	GPE9	CPU_RXEV	OBM_I1	URT2_RX		TM36_TRGO	TM20_TRGO	TM26_TRGO		MOE
PE12	GPE12	ADC0_TRG		URT3_TX	TM01_CKO	TM16_CKO	TM20_OC10	TM26_OC10	MBW0	
PE13	GPE13	ADC0_OUT		URT3_RX	TM01_TRGO	TM16_TRGO	TM20_OC11	TM26_OC11	MBW1	
PE14	GPE14	RTC_OUT			TM01_ETR	TM16_ETR	TM20_OC12	TM26_OC12	MALE2	
PE15	GPE15	RTC_TS				TM36_ETR	TM20_OC1N	TM26_OC1N	MALE	
Pin Name	AFS=0	AFS=1	AFS=2	AFS=3	AFS=4	AFS=5	AFS=6	AFS=7	AFS=8	AFS=9

[Package Pin Group Indication by Background Color]

 Blue Color : High Speed Pins

4.4. Analog Function Pin Table

The following table is the analog signal pin list for all the analog function.

Table 4-7. Analog Function Pin Table

Pin Name	ADC	CMP	Others
PA0	ADC_I0		
PA1	ADC_I1		
PA2	ADC_I2		VBG_OUT
PA3	ADC_I3		ADC_PGA
PA4	ADC_I4		ADC_M4
PA5	ADC_I5		
PA6	ADC_I6		
PA7	ADC_I7		
PA8	ADC_I8	CMP0_I0	
PA9	ADC_I9	CMP0_I1	
PA10	ADC_I10	CMP1_I0	
PA11	ADC_I11	CMP1_I1	
PA12	ADC_I12	CMP2_I0	
PA13	ADC_I13	CMP2_I1	
PA14	ADC_I14	CMP3_I0	
PA15	ADC_I15	CMP3_I1	
PB0		CMP_C0	
PB1		CMP_C1	
PB2			DAC_P0

4.5. Alternate Functions Pin List

The following table is the pin list of the related AFS IO signal for all AFS signals' summary.

Table 4-8. Alternate Functions Pin List

No.	AFS List		Pin List for the AFS IO ([] : AFS setting value)				
	Group	AFS Name	Pin-1 Name	Pin-2 Name	Pin-3 Name	Pin-4 Name	Pin-5 Name
1	GPA	GPA0	PA0 [0]				
2		GPA1	PA1 [0]				
3		GPA2	PA2 [0]				
4		GPA3	PA3 [0]				
5		GPA4	PA4 [0]				
6		GPA5	PA5 [0]				
7		GPA6	PA6 [0]				
8		GPA7	PA7 [0]				
9		GPA8	PA8 [0]				
10		GPA9	PA9 [0]				
11		GPA10	PA10 [0]				
12		GPA11	PA11 [0]				
13		GPA12	PA12 [0]				
14		GPA13	PA13 [0]				
15		GPA14	PA14 [0]				
16		GPA15	PA15 [0]				
17	GPB	GPB0	PB0 [0]				

MG32F02A132/072

18		GPB1	PB1 [0]				
19		GPB2	PB2 [0]				
20		GPB3	PB3 [0]				
21		GPB4	PB4 [0]				
22		GPB5	PB5 [0]				
23		GPB6	PB6 [0]				
24		GPB7	PB7 [0]				
25		GPB8	PB8 [0]				
26		GPB9	PB9 [0]				
27		GPB10	PB10 [0]				
28		GPB11	PB11 [0]				
29		GPB12	PB12 [0]				
30		GPB13	PB13 [0]				
31		GPB14	PB14 [0]				
32		GPB15	PB15 [0]				
33	GPC	GPC0	PC0 [0]				
34		GPC1	PC1 [0]				
35		GPC2	PC2 [0]				
36		GPC3	PC3 [0]				
37		GPC4	PC4 [0]				
38		GPC5	PC5 [0]				
39		GPC6	PC6 [0]				
40		GPC7	PC7 [0]				
41		GPC8	PC8 [0]				
42		GPC9	PC9 [0]				
43		GPC10	PC10 [0]				
44		GPC11	PC11 [0]				
45		GPC12	PC12 [0]				
46		GPC13	PC13 [0]				
47		GPC14	PC14 [0]				
48	GPD	GPD0	PD0 [0]				
49		GPD1	PD1 [0]				
50		GPD2	PD2 [0]				
51		GPD3	PD3 [0]				
52		GPD4	PD4 [0]				
53		GPD5	PD5 [0]				
54		GPD6	PD6 [0]				
55		GPD7	PD7 [0]				
56		GPD8	PD8 [0]				
57		GPD9	PD9 [0]				
58		GPD10	PD10 [0]				
59		GPD11	PD11 [0]				
60		GPD12	PD12 [0]				
61		GPD13	PD13 [0]				
62		GPD14	PD14 [0]				
63		GPD15	PD15 [0]				
64	GPE	GPE0	PE0 [0]				
65		GPE1	PE1 [0]				
66		GPE2	PE2 [0]				

67		GPE3	PE3 [0]				
68		GPE8	PE8 [0]				
69		GPE9	PE9 [0]				
70		GPE12	PE12 [0]				
71		GPE13	PE13 [0]				
72		GPE14	PE14 [0]				
73		GPE15	PE15 [0]				
74	Reset	RSTN	PC6 [1]				
75	SWD	SWCLK	PC4 [1]				
76		SWDIO	PC5 [1]				
77	Clock	ICKO	PC0 [1]				
78		XIN	PC13 [1]				
79		XOUT	PC14 [1]				
80	ADC0	ADC0_TRG	PB2 [1]	PC1 [1]	PC7 [1]	PE12 [1]	
81		ADC0_OUT	PB3 [1]	PC2 [1]	PC8 [1]	PE13 [1]	
82	CMP	CMP0_P0	PB8 [1]	PC9 [1]	PD12 [1]		
83		CMP1_P0	PB9 [1]	PC10 [1]	PD13 [1]		
84		CMP2_P0	PB10 [1]	PC11 [1]	PD14 [1]		
85		CMP3_P0	PB11 [1]	PC12 [1]	PD15 [1]		
86	DAC	DAC_TRG0	PB13 [1]	PC12 [3]	PD14 [3]		
87	I2C0	I2C0_SCL	PB10 [2]	PC4 [2]	PC8 [2]		
88		I2C0_SDA	PB11 [2]	PC5 [2]	PC9 [2]		
89	I2C1	I2C1_SCL	PB0 [1]	PC10 [2]			
90		I2C1_SDA	PB1 [1]	PC11 [2]			
91	URT0	URT0_TX	PB8 [3]	PC5 [3]	PC10 [3]	PE0 [3]	
92		URT0_RX	PB9 [3]	PC4 [3]	PC11 [3]	PE1 [3]	
93		URT0_CLK	PC0 [3]	PC3 [3]	PD0 [3]	PD1 [3]	
94		URT0_BRO	PB6 [3]	PC8 [3]			
95		URT0_TMO	PB7 [3]	PC9 [3]			
96		URT0_DE	PB11 [3]	PC7 [3]			
97		URT0_CTS	PB13 [3]	PC13 [3]			
98		URT0_RTS	PB14 [3]	PC14 [3]			
99		URT0_NSS	PB10 [3]	PC6 [3]			
100	URT1	URT1_TX	PC5 [4]	PC8 [4]	PD4 [3]	PE2 [3]	
101		URT1_RX	PC4 [4]	PC9 [4]	PD5 [3]	PE3 [3]	
102		URT1_CLK	PC1 [4]	PC3 [4]	PD2 [3]	PD3 [3]	
103		URT1_BRO	PD10 [3]				
104		URT1_TMO	PD11 [3]				
105		URT1_DE	PD7 [3]				
106		URT1_CTS	PD9 [3]				
107		URT1_RTS	PD8 [3]				
108		URT1_NSS	PD6 [3]				
109	URT2	URT2_TX	PB2 [4]	PC10 [4]	PC14 [4]	PE8 [3]	
110		URT2_RX	PB3 [4]	PC11 [4]	PC13 [4]	PE9 [3]	
111		URT2_CLK	PB4 [4]	PC0 [4]	PC2 [4]		
112		URT2_BRO	PB8 [4]				
113		URT2_TMO	PB9 [4]				
114		URT2_DE	PB10 [4]				
115		URT2_CTS	PB6 [4]				

MG32F02A132/072

116		URT2_RTS	PB7 [4]				
117		URT2_NSS	PB5 [4]				
118	URT3	URT3_TX	PB14 [4]	PD8 [4]	PE12 [3]		
119		URT3_RX	PB13 [4]	PD9 [4]	PE13 [3]		
120		URT3_CLK	PD3 [4]				
121		URT3_BRO	PD10 [4]				
122		URT3_TMO	PD11 [4]				
123		URT3_DE	PD6 [4]				
124		URT3_CTS	PD5 [4]				
125		URT3_RTS	PD4 [4]				
126		URT3_NSS	PD7 [4]				
127	SPI0	SPI0_CLK	PB2 [2]	PD12 [5]	PD1 [7]		
128		SPI0_MOSI	PB3 [2]	PD2 [7]			
129		SPI0_MISO	PB1 [2]	PD5 [7]			
130		SPI0_NSS	PB0 [2]	PD6 [7]	PD11 [7]		
131		SPI0_D2	PB5 [2]	PD4 [7]			
132		SPI0_D3	PB4 [2]	PD3 [7]			
133		SPI0_NSSI	PB6 [2]	PD6 [5]			
134		SPI0_D4	PD7 [7]				
135		SPI0_D5	PD10 [7]				
136		SPI0_D6	PD9 [7]				
137		SPI0_D7	PD8 [7]				
138	TM00	TM00_CKO	PB0 [4]	PC0 [2]	PD2 [2]	PD7 [1]	PD12 [4]
139		TM00_TRGO	PB14 [2]	PD4 [1]	PD13 [4]		
140		TM00_ETR	PB13 [2]	PD5 [1]	PD14 [4]		
141	TM01	TM01_CKO	PB2 [3]	PB4 [1]	PC1 [2]	PD3 [2]	PE12 [4]
142		TM01_TRGO	PB1 [3]	PD4 [2]	PE13 [4]		
143		TM01_ETR	PB0 [3]	PD7 [2]	PE14 [4]		
144	TM10	TM10_CKO	PB1 [4]	PC2 [2]	PC14 [5]	PD0 [2]	
145		TM10_TRGO	PC12 [5]				
146		TM10_ETR	PC13 [5]				
147	TM16	TM16_CKO	PB2 [5]	PB5 [1]	PC3 [2]	PD1 [2]	PE12 [5]
148		TM16_TRGO	PB1 [5]	PE13 [5]			
149		TM16_ETR	PB0 [5]	PE14 [5]			
150	TM20	TM20_CKO	PD0 [5]	PD2 [5]	PE8 [6]		
151		TM20_TRGO	PB7 [5]	PB14 [5]	PE9 [6]		
152		TM20_ETR	PB6 [5]	PB13 [5]	PC6 [5]		
153		TM20_IC0	PB4 [5]	PD14 [6]			
154		TM20_IC1	PB5 [5]	PD15 [6]			
155		TM20_OC00	PC0 [5]	PE0 [6]			
156		TM20_OC01	PB8 [5]	PE1 [6]			
157		TM20_OC02	PB9 [5]	PE2 [6]			
158		TM20_OC0N	PC1 [5]	PE3 [6]			
159		TM20_OC10	PC2 [5]	PE12 [6]			
160		TM20_OC11	PB10 [5]	PE13 [6]			
161		TM20_OC12	PB11 [5]	PE14 [6]			
162		TM20_OC1N	PC3 [5]	PE15 [6]			
163		TM20_OC0H	PC8 [5]	PD12 [6]			
164		TM20_OC1H	PC9 [5]	PD13 [6]			

165	TM26	TM26_CKO	PD1 [5]	PD3 [6]	PE8 [7]		
166		TM26_TRGO	PB4 [3]	PC14 [6]	PE9 [7]		
167		TM26_ETR	PB5 [3]	PC6 [6]	PC13 [6]		
168		TM26_IC0	PB0 [6]	PD14 [7]			
169		TM26_IC1	PB1 [6]	PD15 [7]			
170		TM26_OC00	PD2 [4]	PD4 [6]	PE0 [7]		
171		TM26_OC01	PD5 [6]	PE1 [7]			
172		TM26_OC02	PD6 [6]	PE2 [7]			
173		TM26_OC0N	PD7 [6]	PE3 [7]			
174		TM26_OC10	PD8 [6]	PE12 [7]			
175		TM26_OC11	PD9 [6]	PE13 [7]			
176		TM26_OC12	PD10 [6]	PE14 [7]			
177		TM26_OC1N	PD11 [6]	PE15 [7]			
178		TM26_OC0H	PB2 [6]	PD12 [7]			
179		TM26_OC1H	PB3 [6]	PD13 [7]			
180	TM36	TM36_CKO	PD2 [6]	PE8 [5]			
181		TM36_TRGO	PC7 [6]	PE9 [5]			
182		TM36_ETR	PB13 [6]	PE15 [5]			
183		TM36_IC0	PB4 [6]				
184		TM36_IC1	PB5 [6]				
185		TM36_IC2	PB6 [6]				
186		TM36_IC3	PB7 [6]				
187		TM36_OC00	PC0 [6]				
188		TM36_OC01	PB8 [6]				
189		TM36_OC02	PB9 [6]				
190		TM36_OC0N	PC1 [6]				
191		TM36_OC10	PC2 [6]				
192		TM36_OC11	PB10 [6]				
193		TM36_OC12	PB11 [6]				
194		TM36_OC1N	PC3 [6]				
195		TM36_OC2	PD0 [6]				
196		TM36_OC2N	PD1 [6]				
197		TM36_OC3	PC12 [6]				
198		TM36_OC0H	PC8 [6]				
199		TM36_OC1H	PC9 [6]				
200		TM36_OC2H	PC10 [6]				
201		TM36_OC3H	PC11 [6]				
202		TM36_BK0	PB14 [6]				
203	RTC	RTC_OUT	PB8 [2]	PC7 [2]	PE14 [1]		
204		RTC_TS	PB9 [2]	PC6 [2]	PE15 [1]		
205	EMB	MAD0	PB8 [8]	PD7 [9]			
206		MAD1	PB9 [8]	PB10 [9]	PD10 [9]		
207		MAD2	PB10 [8]	PB12 [9]	PD9 [9]		
208		MAD3	PB11 [8]	PB14 [9]	PD8 [9]		
209		MAD4	PB12 [8]	PC1 [9]	PD2 [9]		
210		MAD5	PB13 [8]	PC3 [9]	PD5 [9]		
211		MAD6	PB14 [8]	PC9 [9]	PD4 [9]		
212		MAD7	PB15 [8]	PC11 [9]	PD3 [9]		
213		MAD8	PC1 [8]	PB4 [9]	PB9 [9]		

MG32F02A132/072

214		MAD9	PC2 [8]	PB5 [9]	PB11 [9]		
215		MAD10	PC3 [8]	PB6 [9]	PB13 [9]		
216		MAD11	PC8 [8]	PB15 [9]			
217		MAD12	PC9 [8]	PC2 [9]			
218		MAD13	PC10 [8]	PC8 [9]			
219		MAD14	PC11 [8]	PC10 [9]			
220		MAD15	PC12 [8]				
221		MWE	PB6 [8]	PE2 [8]	PC0 [9]	PD11 [9]	
222		MOE	PB5 [8]	PE1 [8]	PD14 [9]	PE9 [9]	
223		MALE	PB4 [8]	PE0 [8]	PE15 [8]	PC6 [9]	
224		MCE	PB7 [8]	PE3 [8]	PC7 [9]	PD13 [9]	
225		MCLK	PC0 [8]	PD0 [9]			
226		MBW0	PC7 [8]	PE12 [8]			
227		MBW1	PC6 [8]	PE13 [8]			
228		MALE2	PE14 [8]	PB7 [9]	PD12 [9]	PE3 [9]	
229		MA0	PA0 [8]				
230		MA1	PA1 [8]				
231		MA2	PA2 [8]				
232		MA3	PA3 [8]				
233		MA4	PA4 [8]				
234		MA5	PA5 [8]				
235		MA6	PA6 [8]				
236		MA7	PA7 [8]				
237		MA8	PA8 [8]				
238		MA9	PA9 [8]				
239		MA10	PA10 [8]				
240		MA11	PA11 [8]				
241		MA12	PA12 [8]				
242		MA13	PA13 [8]				
243		MA14	PA14 [8]				
244		MA15	PA15 [8]	PB0 [8]			
245	OBM	OBM_I0	PD0 [1]	PE0 [1]	PE8 [2]		
246		OBM_I1	PD1 [1]	PE1 [1]	PE9 [2]		
247		OBM_P1	PC3 [1]	PD13 [3]	PE3 [1]		
248	Other	DMA_TRG0	PB12 [1]	PD15 [4]			
249		DMA_TRG1	PD11 [2]	PE1 [4]			
250		CPU_TXEV	PB7 [1]	PE8 [1]			
251		CPU_RXEV	PB6 [1]	PE9 [1]			
252		CPU_NMI	PD6 [1]	PD11 [1]			
253		IR_OUT	PB15 [1]	PC12 [2]	PD15 [3]		

5. Memory Map

5.1. Memory Organization

There are **16K** bytes of SRAM built in the chip. The chip has up to **132K** bytes of embedded main flash memory for code and data, programmable memory size of embedded system flash memory for boot load code and 64 bytes of embedded option-byte (**OB**) flash memory for chip configuration. Others, there are many module independent hardware control registers and locate at the memory space of AHB/APB devices.

User can configure the whole flash to store for his Application Program (AP) code, In-System-Program (ISP) code and In-Application-Program (IAP) memory. User can adjust the size for the three flash memories.

5.2. CPU Memory Map

The following diagram is showing the memory map of CPU. There are separated eight memory blocks and the memory size is 512M-byte for each block. The block is signed “XN” which is not able to execute code.

Figure 5-1. CPU Memory Map

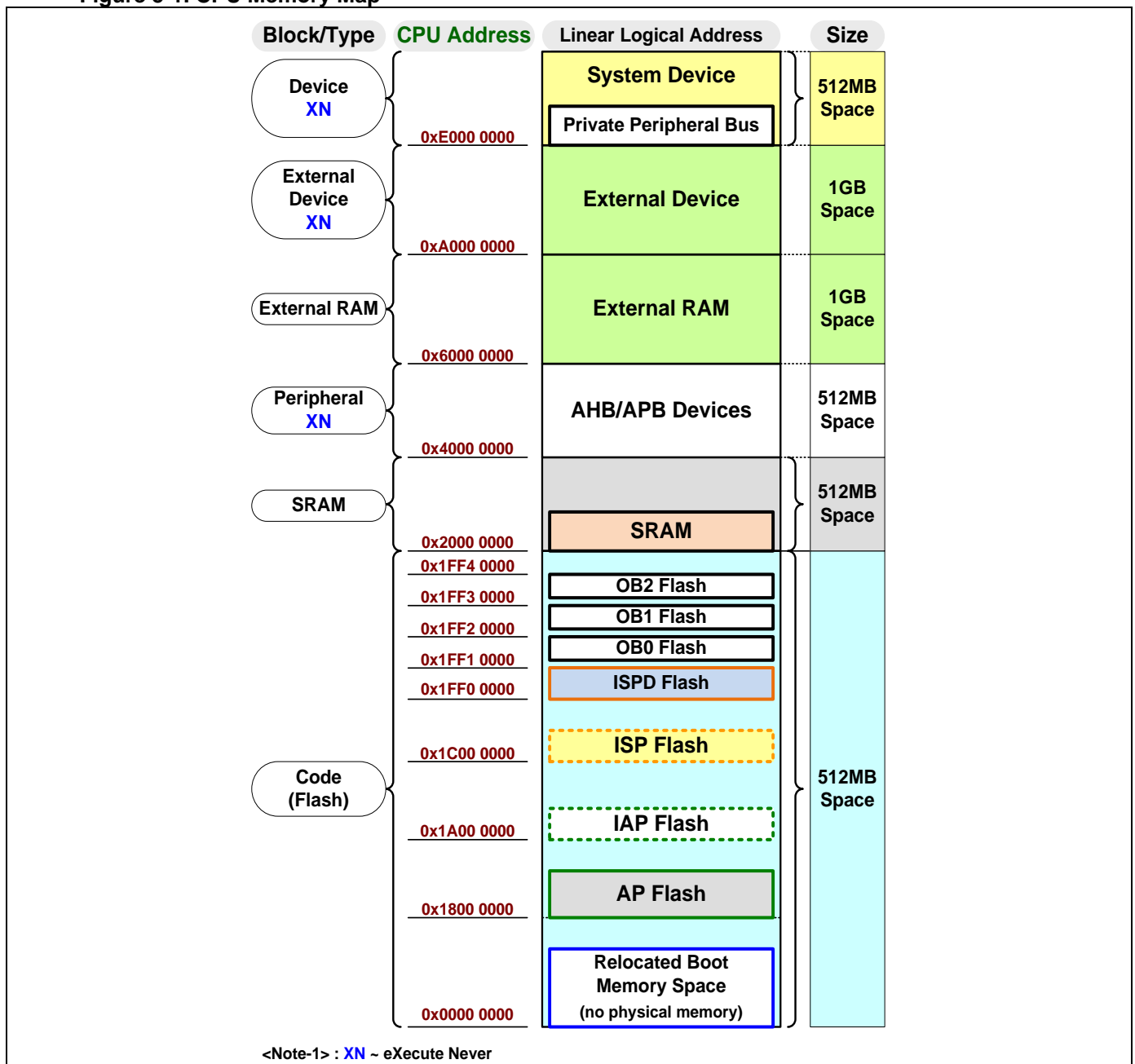


Table 5-1. CPU Memory Address Map

Block Index	Block Name	XN	Boundary address		Size	Address Space	Note
			Start address	End address			
7	System Device	XN	0xE010 0000	0xFFFF FFFF	511MB	VENDOR_SYS	
			0xE000 0000	0xE00F FFFF	1MB	Private Peripheral Bus(PPB)	M0 Reserved Cortex M0 internal peripherals
6	External Device	XN	0xC000 0000	0xDFFF FFFF	512MB	Reserved	External memory (SRAM, Flash)
5	External Device	XN	0xA000 0000	0xBFFF FFFF	512MB	Reserved	External memory (SRAM, Flash)
4	External RAM		0x8000 0000	0x9FFF FFFF	512MB	Reserved	External memory (SRAM, Flash)
3	External RAM		0x6000 0000	0x7FFF FFFF	512MB	Reserved	External memory (SRAM, Flash)
2	Peripheral	XN	0x4000 0000	0x5FFF FFFF	512MB	APB/AHB	APB/AHB modules
1			0x2000 4000	0x3FFF FFFF	512MB	Reserved	
			0x2000 3800	0x2000 3FFF	2KB	SRAM (*2)	Upper 2K-byte suggestion for DMA
			0x2000 0000	0x2000 37FF	14KB		
0	Code		0x1FF4 0000	0x1FFF FFFF	768KB	Reserved	
			0x1FF3 0400	0x1FF3 FFFF	63KB	Reserved	
			0x1FF3 0040	0x1FF3 03FF	960B	OB Flash-2	
			0x1FF3 0000	0x1FF3 003F	64B		Hardware Option byte-2 (64-byte)
			0x1FF2 0400	0x1FF2 FFFF	63KB	Reserved	
			0x1FF2 0050	0x1FF2 03FF	944B	OB Flash-1	
			0x1FF2 0040	0x1FF2 004F	16B		Unique ID (16-byte)
			0x1FF2 0000	0x1FF2 003F	64B	Hardware Option byte-1 (64-byte)	
			0x1FF1 0400	0x1FF1 FFFF	63KB	Reserved	
			0x1FF1 0040	0x1FF1 03FF	960B	OB Flash-0	
			0x1FF1 0000	0x1FF1 003F	64B		Hardware Option byte-0 (64-byte)
			0x1FF0 0400	0x1FF0 FFFF	63KB	Reserved	
			0x1FF0 0000	0x1FF0 03FF	1KB	ISPD Flash	ISP data flash
			0x1C02 1000	0x1FEF FFFF	63MB	Reserved	
			0x1C00 0000	0x1C02 0FFF	132KB	ISP Flash (*2)	Boot Flash memory (configurable size)
			0x1A02 1000	0x1BFF FFFF	32MB	Reserved	
			0x1A00 0000	0x1A02 0FFF	132KB	IAP Flash (*2)	Data Flash memory (configurable size)
			0x1802 1000	0x19FF FFFF	32MB	Reserved	
			0x1800 0000	0x1802 0FFF	132KB	AP Flash (*2)	Application Flash memory (configurable size by chip option)
			0x0002 1000	0x17FF FFFF	384MB	Reserved	
0x0000 0000	0x0002 0FFF	132KB	Relocated memory space (*1)	Interrupt Vector 0x0000 00C0~0x0000 0000			

XN : eXecute Never , 1 Block = 512MB

*1 : Relocated memory space : Main flash memory, Boot flash memory or SRAM depending on BOOT configuration

*2 : The table lists the maximum value. Refer the “Chip Selection Table” about actual memory size.

5.3. Peripheral Memory Boundary

Table 5-2. Peripheral Memory Boundary Address

Address Type	Boundary address		Size	Sections / Groups Peripheral	Module	Note
	Start address	End address				
APB	0x5F00 0100	0x5FFF FFFF	16MB	APB	Reserved	
	0x5F00 0000	0x5F00 00FF	256B		APB	APB module global control
	0x5E00 0000	0x5EFF FFFF	16MB	Reserved	Reserved	
	0x5D04 0100	0x5DFF FFFF	16MB	WDT/RTC	Reserved	
	0x5D04 0000	0x5D04 00FF	256B		RTC	Real Time Clock
	0x5D01 0100	0x5D03 FFFF	192KB		Reserved	
	0x5D01 0000	0x5D01 00FF	256B		WWDT	Window WatchDog Timer

	0x5D00 0100	0x5D00 FFFF	64KB		Reserved	
	0x5D00 0000	0x5D00 00FF	256B		IWDT	Independent WatchDog Timer
	0x5C08 0100	0x5CFF FFFF	15MB	CMP/DAC	Reserved	
	0x5C08 0000	0x5C08 00FF	256B		DAC	Digital-to-Analog controller
	0x5C00 0100	0x5C07 FFFF	512KB		Reserved	
	0x5C00 0000	0x5C00 00FF	256B		CMP	Analog Comparator 0,1,2,3
	0x5B00 0100	0x5BFF FFFF	16MB	ADC	Reserved	
	0x5B00 0000	0x5B00 00FF	256B		ADC	Analog-to-Digital controller
	0x5700 0000	0x5AFF FFFF	64MB	Reserved	Reserved	
	0x5686 0100	0x56FF FFFF	8MB	TM2x/3x	Reserved	
	0x5686 0000	0x5686 00FF	256B		TM36	32-bit Timer with 4 IC/OC/PWM
	0x5606 0100	0x5685 FFFF	8MB		Reserved	
	0x5606 0000	0x5606 00FF	256B		TM26	32-bit Timer with 2 IC/OC/PWM
	0x5600 0100	0x5605 FFFF	384KB		Reserved	
	0x5600 0000	0x5600 00FF	256B		TM20	32-bit Timer with 2 IC/OC/PWM
	0x5586 0100	0x55FF FFFF	8MB	TM0x/1x	Reserved	
	0x5586 0000	0x5586 00FF	256B		TM16	Basic32-bit Timer/Counter
	0x5580 0100	0x5585 FFFF	384KB		Reserved	
	0x5580 0000	0x5580 00FF	256B		TM10	Basic32-bit Timer/Counter
	0x5501 0100	0x557F FFFF	8MB		Reserved	
	0x5501 0000	0x5501 00FF	256B		TM01	Basic 16-bit Timer/Counter
	0x5500 0100	0x5500 FFFF	64KB		Reserved	
	0x5500 0000	0x5500 00FF	256B		TM00	Basic 16-bit Timer/Counter
	0x5400 0000	0x54FF FFFF	16MB	Reserved	Reserved	
	0x5300 0100	0x53FF FFFF	16MB	SPI	Reserved	
	0x5300 0000	0x5300 00FF	256B		SPI0	SPI bus controller with data buffer
	0x5203 0100	0x52FF FFFF	16MB	UART	Reserved	
	0x5203 0000	0x5203 00FF	256B		URT3	Advance UART bus controller
	0x5202 0100	0x5202 FFFF	64KB		Reserved	
	0x5202 0000	0x5202 00FF	256B		URT2	Advance UART bus controller
	0x5201 0100	0x5201 FFFF	64KB		Reserved	
	0x5201 0000	0x5201 00FF	256B		URT1	Advance UART bus controller
	0x5200 0100	0x5200 FFFF	64KB		Reserved	
	0x5200 0000	0x5200 00FF	256B		URT0	Advance UART bus controller
	0x5101 0100	0x51FF FFFF	16MB	I2C	Reserved	
	0x5101 0000	0x5101 00FF	256B		I2C1	I2C bus controller
	0x5100 0100	0x5100 FFFF	64KB		Reserved	
	0x5100 0000	0x5100 00FF	256B		I2C0	I2C bus controller
	0x5000 0100	0x50FF FFFF	16MB	EXT Interrupt	Reserved	
	0x5000 0000	0x5000 00FF	256B		EXIC	External Interrupt Controller
AHB	0x4FF0 0100	0x4FFF FFFF	1024KB	Chip	Reserved	
	0x4FF0 0000	0x4FF0 00FF	256B		CFG	Hardware option (NVR0/1/2)
	0x4F00 0100	0x4FEF FFFF	15MB		Reserved	
	0x4F00 0000	0x4F00 00FF	256B		WRI	Writer Interface Control
	0x4E00 0000	0x4EFF FFFF	16MB	Reserved	Reserved	
	0x4D02 0100	0x4DFF FFFF	16MB	Memory	Reserved	
	0x4D02 0000	0x4D02 00FF	256B		EMB	External Memory Bus Controller
	0x4D00 0100	0x4D01 FFFF	128KB		Reserved	
	0x4D00 0000	0x4D00 00FF	256B		MEM	Internal Memory Controller
	0x4C03 0100	0x4CFF FFFF	16MB	System	Reserved	
	0x4C03 0000	0x4C03 00FF	256B		SYS	System and Chip Control
	0x4C02 0100	0x4C02 FFFF	64KB		Reserved	
	0x4C02 0000	0x4C02 00FF	256B		PW	Power Management Controller
	0x4C01 0100	0x4C01 FFFF	64KB		Reserved	
	0x4C01 0000	0x4C01 00FF	256B		CSC	Clock Source Controller
	0x4C00 0100	0x4C00 FFFF	64KB		Reserved	
	0x4C00 0000	0x4C00 00FF	256B		RST	Reset Source Controller

MG32F02A132/072

0x4BF0 0100	0x4BFF FFFF	1024KB	General Purpose	Reserved	
0x4BF0 0000	0x4BF0 00FF	256B		DMA	Direct memory access
0x4B00 0100	0x4BEF FFFF	15MB		Reserved	
0x4B00 0000	0x4B00 00FF	256B		GPL	General Purpose Logic
0x4500 0000	0x4AFF FFFF	96MB	Reserved	Reserved	Reserved for future design
0x4404 0100	0x44FF FFFF	16MB	IO Configure	Reserved	
0x4404 0000	0x4404 00FF	256B		PE	
0x4403 0100	0x4403 FFFF	64KB		Reserved	
0x4403 0000	0x4403 00FF	256B		PD	
0x4402 0100	0x4402 FFFF	64KB		Reserved	
0x4402 0000	0x4402 00FF	256B		PC	
0x4401 0100	0x4401 FFFF	64KB		Reserved	
0x4401 0000	0x4401 00FF	256B		PB	
0x4400 0100	0x4400 FFFF	64KB		Reserved	
0x4400 0000	0x4400 00FF	256B		PA	
0x4100 0200	0x43FF FFFF	48MB	Reserved		Reserved for future design
0x4100 0000	0x4100 01FF	512B	GPIO	IOP	IO Port Input/Output
0x4000 0000	0x40FF FFFF	16MB	Reserved		Reserved for future design

5.4. Boot Modes

During chip startup, the hardware configuration option-byte (**OB**) is used to select one of the three boot options:

- **Boot from User Application Program (AP) Flash**
- **Boot from In-System-Program (ISP)**
- **Boot from embedded SRAM**

6. Functional Description

6.1. CPU Core

6.1.1. Introduction

The chip is embedded a CPU core of Cortex™-M0 processor. The processor is a configurable, multistage, 32-bit RISC processor. It has an AMBA AHB-Lite interface and includes an NVIC component. It also has optional DAP hardware debug functionality.

The processor can execute Thumb code and is compatible with other Cortex-M profile processor. The profile supports two modes -Thread mode and Handler mode. Handler mode is entered as a result of an exception. An exception return can only be issued in Handler mode. Thread mode is entered on Reset, and can be entered as a result of an exception return.

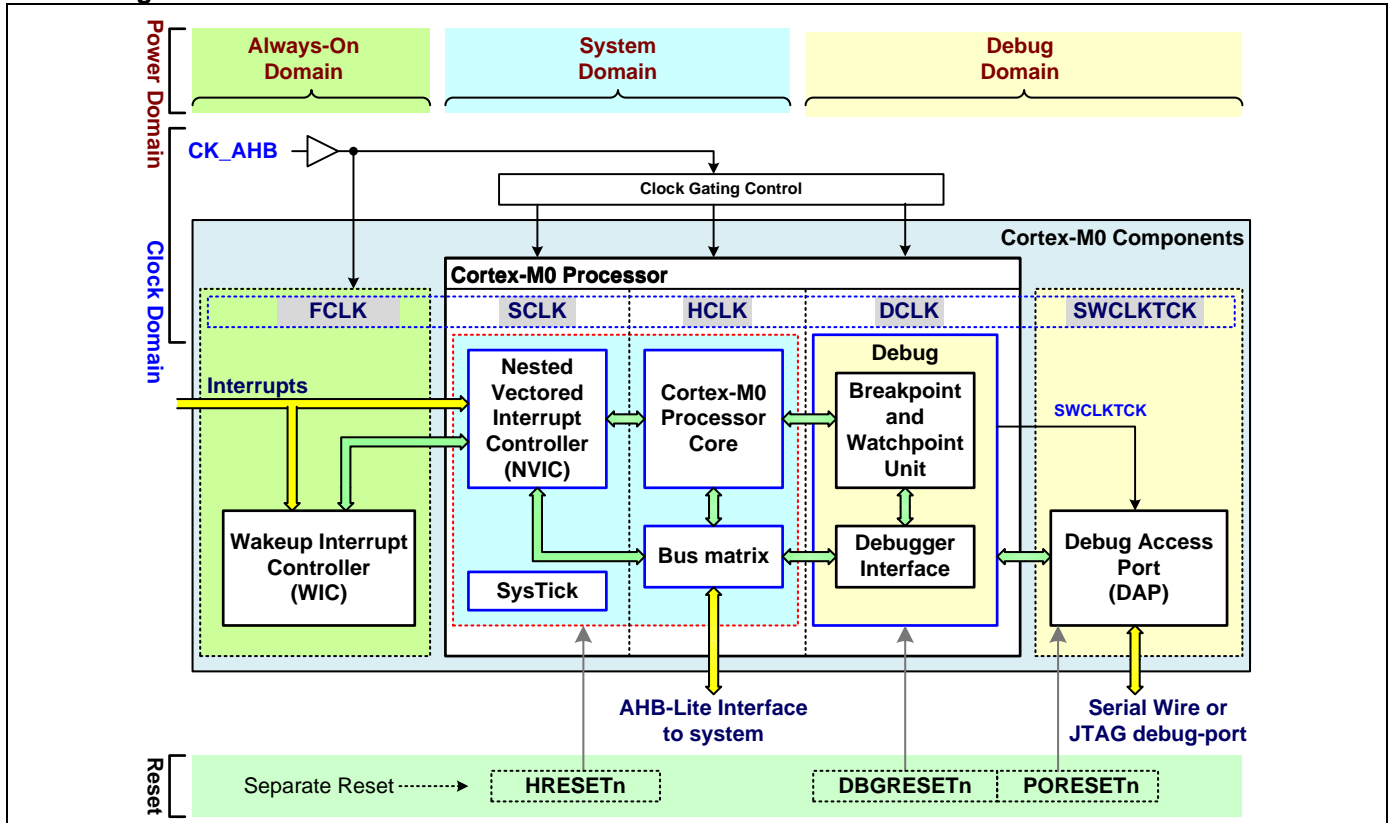
6.1.2. CPU Features

- **ARM 32-bit Cortex-M0 CPU**
- **Operation frequency up to 48MHz**
- **Built-in one NVIC for 32 external interrupt inputs with 4-level priority**
- **Built-in one 24-bit system tick timer**
- **Built-in one single-cycle 32-bit multiplier**
- **Built-in one SWD serial wire debugger with 2 watch points and 4 breakpoint**
- **The ARMv6-M Thumb® instruction set**

6.1.3. ARM Cortex-M0 Processor

The following diagram is showing the block of ARM Cortex-M0 Processor.

Figure 6-1. ARM Cortex-M0 Processor



6.2. Power Management

6.2.1. Introduction

The chip power is implemented only by single power supply input and embedded one LDO to supply the internal core logic power. The chip supports one power controller (PW) to manage Power-on reset (POR) circuit, Low-voltage reset (LVR) circuit, Brown-Out Detectors (BOD0/1), power down control and wakeup control.

It supports power-down modes: **SLEEP** mode and **STOP** modes. The power-down modes reduce chip power and provide the different power-saving scheme for chip application.

6.2.2. Chip Power Features

- Built-in one 1.8V output regulator for core logic power
- Built-in two brown-out detectors
 - BOD0 detect 1.7V
 - BOD1 detect by selected level 4.2V/3.7V/2.4V/2.0V
- Built-in a power management controller with power-down and wakeup control
- Support three power operation modes
 - On(Normal) mode and SLEEP , STOP power down modes

6.2.3. Power Operation Mode

There are three power operation modes of **ON**, **SLEEP**, **STOP** to be supported in the power controller.

- **ON mode**

In **ON** mode, the CPU is able running in full speed. All peripheral modules can use full power to do normally full function operation. These modules can enable or disable independent to save power consumption.

- **SLEEP mode**

In **SLEEP** mode, only the CPU is stopped and entering CPU sleep mode. All peripheral modules can be configurable to continue to operate or sleep.

In this mode, the chip can be waked up by the related interrupt or event occurs.

- **STOP mode**

The **STOP** mode provides the lowest power consumption. The different from SLEEP mode is that CPU is entering CPU deep-sleep mode and all peripheral modules are disabled except some special modules or devices. These modules or devices can be configurable to continue to operate in STOP mode or not. They include of IWDT, RTC, CMP modules and LVR, BOD0, BOD1 devices. The internal voltage regulator is also running in low power mode.

In this mode, the chip can be waked up by some of the external input lines (GPIO) and some events detection.

6.2.4. Power Supply

The chip power is implemented only by single power supply input for easy application PCB design. It is embedded one internal low dropout linear regulator (LDO) to generate the +1.8 volt voltage power VDDC for core logic power supply.

The **VDD** pin(s) is/are using for IO power supply input and internal LDO input. The **VSS** pin(s) is/are used to connect the external ground for internal reference ground of internal LDO, hard macros and digital logic. The **VR0** pin is the LDO output and it needs to connect bypass capacitors for normal operation. The **+VREFF** pin is the input of ADC reference voltage which can connect to **VDD** pin for general application.

6.2.5. CPU Power Down

For chip entering power down mode, the firmware must execute WFI or WFE instruction to force the CPU enters sleep mode or deep sleep mode. Then the chip will enter the power down mode of **SLEEP** or **STOP**. User can configure the CPU sleep mode by setting CPU register of SLEEPDEEP after firmware executes WFI or WFE instruction.

Table 6-1. Power-Down Mode Selection

CPU	System	CPU Register
		SLEEPDEEP
Run	ON	x
sleep	SLEEP	0
deep sleep	STOP	1

6.3. System Reset

6.3.1. Introduction

During reset, all Registers are set to their initial values, and the program starts execution from the Reset Vector. The chip includes a reset source controller (RST) to manage multiple sources of reset and generates Warm reset and Cold reset signals to chip system and internal modules. This controller also provides the reset event flags for firmware, which are used to recognize the reset occurred source.

6.3.2. Chip Reset Features

- **Built-in embedded POR(power-on reset)/LVR(low-voltage reset) circuit**
- **Built-in one reset source controller**
 - Programmable chip cold reset and warm reset for reset source
 - Independent software reset control for internal modules
- **Provide multiple reset sources**
 - POR/LVR/BOD0/BOD1/External reset pin input/Software force reset
 - IWDW/WWDT/ADC/Comparator
 - IAR(Illegal address error reset)/Flash access protect error reset
 - Missing clock detect (MCD) reset

6.3.3. Chip Reset Levels

The chip provides three reset levels – POR reset, Cold reset and Warm reset. POR reset is the highest priority reset and is generated by chip hardware. Code reset is the 2nd priority and Warm reset is the lowest priority reset.

When POR reset occurred, it will cause to generate Cold reset to chip. Also when Cold reset occurred, it will cause to generate Warm reset to chip.

- **Power-On Reset**

Power-on reset (**POR**) is used to internally reset the chip and also the CPU during power-up. The chip will keep in reset state and will not start to work until the VDD power rises above the voltage of Power-On Reset. And, the reset state is activated again whenever the VDD power falls below the POR threshold voltage. During a power off cycle, VDD must fall below the POR threshold voltage before power is reapplied in order to ensure a power-on reset.

- **Cold Reset**

Cold reset is the 2nd priority reset. The Cold reset is also generated and caused by POR reset occurred. It sends to some modules like as IWDW, WWDT ... to do deep level module reset. It will cause to reload all hardware configurations **OB** and disable the register lock function for the modules which are support the register lock function.

- **Warm Reset**

Warm reset is the lowest priority reset. The Warm reset is also generated and caused by Cold reset occurred. It sends to all modules to clear flags and hardware circuit. It will cause to reload some hardware configuration **OB** and reset the registers of module to default value if the module is unlocked or not supported lock function. It will clear Warm reset source enable bits in RST controller if the RST controller is unlocked.

6.3.4. External Reset

The chip provides an external hardware reset input from **RSTN** pin, which is accomplished by holding low level for the **RSTN** pin. The **RSTN** pin is configured to as external reset pin or others (GPIO ...) by hardware configuration **OB**. To ensure a reliable power-up reset, then the hardware reset from **RSTN** pin is necessary.

6.3.5. Module Reset

For each AHB or APB control module, it can receive the system Warm reset signal to reset the module's control flags, registers and logical circuit. For some modules of IWDW, WWDT, RTC, PW, CSC and MEM, they can receive the Cold reset to unlock the register locked function and reset the module.

6.4. System Clock

6.4.1. Introduction

The chip builds in a clock source controller (CSC) for system clock source management. There are four clock sources for the system application: Internal High-frequency RC Oscillator (**IHRCO**), Internal crystal oscillator (**XOSC**), Internal Low-frequency RC Oscillator (**ILRCO**) and External Clock Input (**EXTCK**).

One **XOSC** oscillator is embedded for external Xtal circuit. One PLL is embedded to multiply the frequency of clock source and output clock for CPU and other peripheral modules. One missing clock detector (**MCD**) is built-in to monitor the clock of external Xtal or external clock source.

6.4.2. Chip Clock Features

- Built-in embedded ILRCO (internal low frequency RC oscillator) by 32KHz
- Built-in embedded IHRCO (internal high frequency RC oscillator)
 - Trimmed to 11.059 or 12MHz $\pm 1\%$ at +25°C
- Built-in embedded PLL up to 48MHz output for system clock
- Built-in embedded XOSC oscillator with MCD for external 32KHz or 4 to 25MHz Xtal
- Support external clock input up to 36MHz
- Built-in a clock source controller with clock enable control for modules
- Support internal XOSC oscillator and internal ILRCO/IHRCO clock output

6.4.3. System Clock Source

There are four clock sources for the system application: Internal High-frequency RC Oscillator (**IHRCO**), Internal crystal oscillator (**XOSC**), Internal Low-frequency RC Oscillator (**ILRCO**) and External Clock Input (**EXTCK**). Software can select the one of the four clock sources by application required and switches them on the fly. But software needs to settle the clock source stably before clock switching.

6.4.4. PLL Clock

One PLL is embedded to multiply the frequency of system clock source from **IHRCO**, **ILRCO**, **XOSC** and **EXTCK**. The PLL input frequency range is 5~7 MHz and output clock frequency is up to 96-MHz or 144-MHz.

6.4.5. Module Process Clock Control

The CSC module is able to do the process clock enable setting and select the process clock source for internal modules. User must select the module process clock and enable the module process clock before configure the module for operation normal.

6.5. System Common Control

6.5.1. Introduction

The chip embeds one system control (SYS) module for system common control. It is including of one system event interrupt global enable control, chip manufacture identification code.

6.5.2. Features

- System interrupt global enable control for system interrupt source
- Chip manufacture identification code - Device ID, Product ID, User ID, Module Options

6.6. Memory Access

6.6.1. Introduction

The chip has separate address spaces for program and data memory. The logical separation of program and data memory allows the memory to be accessed by 32bit addresses, which can be quickly stored and manipulated by the CPU. The chip supports one memory controller (MEM) to manage the internal flash memory and SRAM access operation.

6.6.2. Features

❖ Embedded Memory

- Built-in embedded 132K bytes flash memory for application code
 - Optional 40K/72K/104K/132K bytes flash memory by different product
- Built-in embedded 16K bytes SRAM

❖ Memory Controller Features

- Support ICP (In-circuit program) for ISP boot code update through SWD interface
- Support ISP (In-system program) for application code update
 - Support programmable ISP flash memory size for ISP boot code
 - Provide fixed 1K bytes ISPD flash memory as ISP private data
- Support IAP (In-application program) for application data update
 - Support programmable 1M bytes address low boundary
- Support flash memory page erase in 1K bytes

6.6.3. Memory Controller

A memory controller is supported to access on chip flash memory, SRAM on AHB bus. It includes **ICP** (In-Circuit Programming)/ **ISP** (In-System Programming)/ **IAP** (In-Application Programming) circuits for flash memory accessing, option byte loader for hardware option registers loading and an external memory bus EMB interface with the capability of accessing external program memory.

The chip has up to 132K bytes of embedded main flash memory for code and data, programmable memory size of embedded system flash memory for boot load code and 64 bytes of embedded option-byte flash memory for chip configuration.

The memory controller (MEM) supports to Read/ Program (Write)/ Erase the flash memory. User can directly read the data from flash memory by CPU read instruction commands and do not need through any register. For “Program” mode, MEM provides the 32-bit data write operation into flash memory for new data updated. For “Erase” mode, the Erase address is only valid at low 10-bit CPU address=0 (X..X00 0000 0000B) and is addressing 1K-byte alignment.

6.6.4. ICP/ISP/IAP for Flash Memory

There are 3 flash access modes are provided in chip for ICP, ISP and IAP application: program mode and read mode. ICP is allowed to update the entire contents of the flash memory by using the hardware SWD interface and no any firmware request. Others, User can use these two modes of ISP and IAP to update new data into flash storage and get flash content by a firmware flash memory access handler.

6.6.5. Hardware Option Byte Flash Memory

There can be up to 64 bytes of on-chip Option Bytes Flash memory. It is used to store the hardware option configuration setting.

The embedded option-byte (**OB**) flash memory will load into the hardware configuration option-byte register (**OR**) after power-on reset. The hardware configuration **OR** are designed to configure the clock source from internal RC oscillator or crystal oscillator; the booted memory selection from AP, ISP flash memory or SRAM; the memory size of IAP flash memory; other chip configurations ... etc.

6.7. External Memory Bus

The chip has built in an external memory bus (EMB) controller to access the external device of SRAM, NOR/NAND flash and 8080 interface LCD. The EMB controller supports address bus and data bus multiplex mode. Also, it provides two address latch enable signals to support the multiple control of the address and data cycle.

6.7.1. Features

- Support SRAM, NAND/NOR flash, LCD interface
- Support synchronous or asynchronous timing mode control
- Support 16-bit data width
- Support multiple types of address and data multiplex mode
- Provide optional 16/24/30-bit address mode
 - Memory space 2G/32M/128K-byte for 16-bit data width
- Received and transmitted data are buffered with DMA capability
- Configurable time cycle for address latch time and data access time

6.7.2. EMB Control Function

EMB supports data bus 16-bit data width and optional 16/24/30-bit address mode. The maximum memory

space size of external device is 2G/32M/128K-byte for 16-bit data width.

EMB supports multiple types of address and data interface modes. They include multiple types of address and data multiplex modes.

EMB provides multiple timing states and programmable timing cycle for external device flexible design.

6.8. GPIO

6.8.1. Introduction

The chip has following I/O ports: **PA[15:0]**, **PB[15:0]**, **PC[14:0]**, **PD[15:0]**, **PE[0:3][8:9][12:15]**. Support maximum 73 GPIO pins for LQFP80 package. **RSTN** pin is an alternated function pin on **PC6**. If select external crystal oscillator as system clock input, **PC13** and **PC14** are configured to **XIN** and **XOUT**. The exact number of I/O pins available depends upon the package types.

The chip has built in several IO mode control (**PA/PB/PC/PD/PE**) modules for each GPIO port. These modules are used for GPIO pin IO mode control, alternated function selection, driver strength setting, input inverse selection, pull-high enable, deglitch filter setting and high speed enable. Also one IO Port access control (**IOP**) module is built-in to control the input and output state of GPIO mode for all GPIO ports.

6.8.2. Features

- **Support general purpose IO pins for application**
 - **Maximum 73 GPIO pins for LQFP80 package**
- **Provide selectable IO modes by pin independent**
 - **Push-Pull output**
 - **Quasi bidirectional**
 - **Open-drain output**
 - **Input only with high impedance**
 - **Analog IO**
- **Flexible pin alternate function selection**
- **Support programmable drive strength by pin independent**
- **Support IO deglitch filter by pin independent**
- **Support input inverse selection by pin independent**
- **Support pull-high option by pin independent**
- **Support high speed option for PC[3:0],PC14,PD[3:0] pins**

6.8.3. GPIO Control Block

The GPIO Control block includes IOM (IO pad Mode control), IOP (IO Port access control) and AFS (Alternate Function Select) blocks.

● IO Operation Mode

The IO operating modes are supported analog IO, digital input, push-pull output, and open-drain output, quasi-bidirectional. Provide selectable IO modes by pin independent.

The IO mode control block supports programmable IO operation modes, output high speed option, pull-high option, output drive strength, IO deglitch filter and input inverse selection by pin independent.

● IO Port Access

When the AFS setting is set GPIO function mode for any IO pin, user can directly set the logical output or get the logical input for the IO pin. There is one independent data out register bit to store the output logic value for each GPIO pin. Also user can directly read the input data register bit to get the GPIO pin logical state for each GPIO pin.

For firmware control, there are one set control bit to set the data out register bit and one clear control bit to clear the data out register bit for each GPIO pin.

The chip provides one set-or-clear register control bit to set, clear the data out register bit or read pin status for each GPIO pin. The register bit is written 1 to set data bit and written 0 to clear data. Read the register bit to get the GPIO pin status. As this register bit is cost eight bit memory space, firmware is easy to control single GPIO pin by CPU byte-access instruction command. It is like the bit access IO control of 8051 MCU.

● Alternate Function Select Control

User can configure the alternate function between module function IO and IO pins through the AFS matrix

for each GPIO pin independently. Usually the AFS default setting is GPIO function for each GPIO pin except the **XIN/XOUT**, **SWCLK/SWDIO** and **RSTN** function pins. These pins may be changed by hardware configuration **OB**.

6.9. Interrupt

6.9.1. Introduction

After reset, the CPU begins execution from the location of reset interrupt vector (0x00000004) addressing, where should be the starting of the user's application code. To service the interrupts, the interrupt service locations (called interrupt vectors) should be located in the address 0x000000BF~0x00000000.

The chip is built-in ARM cortex M0 CPU and is embedded a NVIC (Nested Vectored Interrupt Controller) for 32 external interrupt inputs with 4-level priority. Also builds in an EXIC (External Interrupt Controller) module and connects to NVIC.

6.9.2. Interrupt Features

- **Built-in one NVIC for 32 external interrupt inputs with 4-level priority**
- **Built-in one EXIC (external interrupt controller) for NVIC connection**
 - Independent high/low level and rising/falling edge trigger selection
- **Built-in one WIC (wakeup interrupt controller) for wakeup event control**
- **All GPIO pins can be configured as interrupt source and key pad input**
 - Support port OR logic for interrupt function
 - Support port AND logic for KBI function
- **Support external pins for CPU NMI/RXEV/TXEV function**
 - Configurable pin for CPU NMI input function
 - Configurable pin for CPU RXEV input function
 - Configurable pin for CPU TXEV output function

6.9.3. Interrupt Structure

Each interrupt is assigned a fixed location in the program memory. The interrupt causes the CPU to jump to that location, where it commences execution of the service routine. NMI interrupt, for example, is assigned to location 0x00000008. If NMI is going to be used, its service routine must begin at location 0x00000008.

The interrupt service locations are spaced at an interval of 4 bytes: 0x00000004 for Reset Interrupt, 0x00000008 for **NMI**, 0x0000000C for **Hard-Fault**, 0x0000002C for **SVC**all, 0x00000038 for **PendSV**, 0x0000003C for **SysTick**, etc.

- **Exception types**

The NVIC has 7 exception types: **Reset**, **NMI**, **HardFault**, **SVC**all, **PendSV**, **SysTick** and Interrupt (IRQ). The NVIC supports 32 external interrupt input. An interrupt is an exception signaled by a peripheral or generated by a software request. The four priority level interrupt structure allows great flexibility in handling these interrupt sources.

- **Interrupt Sources**

The 'Pending Bits' are the interrupt flags that will generate an interrupt if it is enabled by setting the 'Set Enable Bit'. The 'Pending Bits' can be set or cleared by software, with the same result as though it had been set or cleared by hardware. That is, interrupts can be generated or pending interrupts can be cancelled in software. The 'Priority Bits' determine the priority level for each interrupt. The 'Priority within Level' is the polling sequence used to resolve simultaneous requests of the same priority level. The 'Vector Address' is the entry point of an interrupt service routine in the program memory.

Table 6-2. Interrupt Source Table

NVIC						Comment
Exception No.	IRQ No.	Interrupt Name	Priority	Activation	Exception handlers	
0	-	Initial	-			
1	-	Reset	-3	Asynchronous		Reset exception
2	-14	NMI	-2	Asynchronous	System handlers	Non Maskable Interrupt
3	-13	HardFault	-1	Synchronous	Fault handler	Cortex-M0 Hard Fault Interrupt
4~10	-	Reserved	-			
11	-5	SVC	Configurable	Synchronous	System handlers	Cortex-M0 SV Call Interrupt
12~13	-	Reserved	-			
14	-2	PendSV	Configurable	Asynchronous	System handlers	Cortex-M0 Pend SV Interrupt
15	-1	SysTick	Configurable	Asynchronous	System handlers	Cortex-M0 System Tick Interrupt
16~47	0~31	-	Configurable	Asynchronous	ISRs	Peripheral Interrupts
Configurable : Programmable priority level 0~3						

● **Interrupt Priority**

The priority scheme for servicing the interrupts has four interrupt levels. The priority bits in CPU registers, IPR0-7, SHPR2 and SHPR3, determine the priority level of each interrupt.

The interrupt priority registers provide an 8-bit priority field for each interrupt and each register holds four priority fields. The processor implements only bits [7:6] of each field, bits [5:0] read as zero and ignore writes.

Higher-priority interrupt will be not interrupted by lower-priority interrupt request. If two interrupt requests of different priority levels are received simultaneously, the request of higher priority is serviced. If interrupt requests of the same priority level are received simultaneously, an internal polling sequence determine which request is serviced. The table of “interrupt sources” shows the internal polling sequence in the same priority level and the interrupt vector address. The lower exception number gets the higher priority.

6.9.4. Nested Vectored Interrupt Controller

The Cortex-M0 processor integrates a configurable Nested Vectored Interrupt Controller (NVIC) that supports low latency interrupt processing and includes a non-mask interrupt (*NMI*). The NVIC provides a zero-jitter interrupt option and four interrupt priority levels.

Interrupt handlers do not require any assembler wrapper code, removing any code overhead from the ISRs. Tail-chaining optimization also significantly reduces the overhead when switching from one ISR to another.

To optimize low-power designs, the NVIC integrates with sleep mode. Optionally, sleep mode support can include a deep sleep function that enables the entire device to be rapidly powered down.

6.9.5. Wakeup Interrupt Controller

The chip includes a Wakeup Interrupt Controller (WIC) which can detect an interrupt or wakeup event from EXIC and wake the processor from deep sleep mode. The WIC is enabled only when the DEEPSLEEP bit in the CPU register of SCR is set to 1. The WIC is not programmable, and does not have any registers or user interface. It operates entirely from hardware signals.

6.9.6. External Interrupt Controller

The External Interrupt Controller (EXIC) includes four external port interrupt blocks (EXINT) to manage the external pin input interrupt events, one wakeup control block for wakeup event control and control the NMI/RXEV events. The EXIC also do as the interface controller between internal modules and NVIC for the interrupt and wakeup events management

6.10. General Purpose Logic

6.10.1. Introduction

The chip builds in one general purpose logic (GPL) module. It provides the combined functions of Data Order Change, Parity Check, Data Inverse and CRC.

6.10.2. Features

- **Support data inverse, bit order change, byte order change and parity check**
 - Data bit order change for 8/16/32-bit reverse
 - Data byte order change between Little endian and Big endian for 32-bit range
 - Parity Check for 8/16/32 bit range
- **Support CRC (Cyclic Redundancy Check) calculation**
 - Programmable CRC initial value
 - CRC output bit order change
- **CRC with fixed common polynomial**
 - CRC8 polynomial 0x07
 - CRC16 polynomial 0x8005
 - CCITT16 polynomial 0x1021
 - CRC32(IEEE 802.3) polynomial 0x4C11DB7
- **Input data are buffered with DMA capability**

6.11. APB Common Control

6.11.1. Introduction

The chip builds in one APB (APB bus common control) module for the common control of APB devices.

6.11.2. Features

- **Timer synchronous enable global control for TMx timer modules**
- **Timer internal trigger/clock source selection for TMx timer modules**
- **OBM(Output Signal Break and Modulation) control**
 - Support one set of OBM for output signal break and modulation control
- **Infrared Remote Modulation Output**

6.12. Direct Memory Access

The chip is built-in a direct memory access controller (DMA) which is used to improve the performance of data transfer between peripheral and memory, memory to memory and peripheral to peripheral. Data can be quickly transfer by through DMA without costing any CPU resources.

Notify: The sign of (n= DMA channel index number) is using for Registers, Signals and Pins/Ports in the descriptions of this chapter.

6.12.1. Features

- **3 independently configurable channels with dedicated hardware DMA requests**
 - Access to Memory, APB and AHB Peripherals as source and destination
 - Support SRAM/EMB access memory space as memory source and destination
 - Peripheral is including of ADC0,DAC,I2Cx,URTx,SPIx,TM36 modules
- **DMA transfer management type**
 - memory-to-memory
 - peripheral-to-memory
 - memory-to-peripheral
 - peripheral-to-peripheral
- **Built-in two type priority control between channel requests**
 - Channel request by Round Robin

- Software configurable priority level
- Programmable transfer number of data and up to 65535
- Programmable burst length 1,2,4
- Support transfer loop mode and start address auto reload control
- Provide single/block/demand mode for external pin trigger request

6.12.2. DMA Control Block

The DMA controller (DMA) is used to transfer data between these sources and destinations of AHB peripheral, APB peripheral, SRAM and external memory. Two external pins of DMA_TRG0 and DMA_TRG1 are able to input as the trigger signal of DMA data transfer.

6.13. ADC

6.13.1. Introduction

The chip builds in one ADC0 module which embeds one 12-bit successive approximation ADC (analog-to-digital converter), one PGA (programmable gain amplifier) with gain 1~4 and digital logic for output code control. It supports the configurable multiplexed channels those include 16 external and 4 internal sources. The analog-to-digital conversion can be performed in one-shot, continuous, one-loop scan or continuous loop scan modes.

6.13.2. Features

- 12-bit SAR ADC with 400Ksps
 - Configurable resolution : 12/10/8-bit
 - Configurable sampling time
- Provide external 16 channels and internal 4 channels input
 - Internal channel source : VBG, VSSA, DAC output, ADC Reference Voltage
- Support auto-sampling and trigger by external pin , internal events and software bit
- Data alignment for output code left/right justify
- Built-in input buffer stage with bypass option
- PGA with programmable gain : 1~4
- Interrupt generation at the end of sampling, end of conversion, end of scan conversion
- Support voltage window detect
 - Two level programmable window threshold
- Built-in one hardware accumulator for ADC output code
- Support one-shot/channel scan/loop scan
- Support Self-calibration to minimize conversion error
- ADC data are buffered with DMA capability
- Support wait mode
 - Prevents ADC overrun in application with low frequency
- Support auto off mode
 - ADC auto power off except during the active conversion phase

6.13.3. ADC Control Block

The ADC control block consists of an analog multiplexer (AMUX) with 16 input channels, a 400Ksps/12-bit SAR (successive-approximation-register) ADC, reference voltage circuit, ADC conversion trigger start control block and change scan control block.

● ADC Input Channels

The analog multiplexer (AMUX) selects the inputs to the ADC, allowing any of the input pins to be measured in single-ended mode.

The analog input pins used for the A/D converters also have its I/O pins for digital input and output function. In order to give the proper analog performance, a pin that is being used with the ADC should have its digital output as disabled. It is done by putting the port pin into the input-only mode. And when an analog signal is applied to the **ADC_I[15:0]** pin and the digital input from this pin is not needed, software could set the corresponding pin to AIO mode to turn off the digital input buffer to reduce power consumption.

- **Single-End and Differential Mode**

The ADC supports single-end and differential operation modes. According to application, user can select single-end mode or differential mode for ADC operation. When selects differential mode, the negative input is from **ADCI_4** pin and the positive input is able from other input pins. When selects signal-end mode, the negative input is shorted to the common mode voltage (**VCM**) and the positive input is able from any input pins.

The ADC can convert the ADC output to unsigned or signed code for single-end or differential mode.

- **ADC Sampling Time**

For input signal quality and conversion speedy issue, user can adjust the ADC sampling time. Usually increase the ADC sampling time to get more stable voltage and better ADC performance if the conversion rate and signal bandwidth are reasonable and valid for actual application.

- **ADC Conversion Mode**

The ADC is supported three conversion modes of One Shot, Channel Scan and Loop Scan.

- **ADC Output Control**

When an ADC conversion is complete, the ADC raw code is generated and sends to the ADC output control blocks those are including of Digital Offset Adjuster, Signed Code Converter, Digital Resolution Adjuster, Voltage Window Detector, Code Limiter and Data Alignment Adjuster.

The ADC output code will be adjusted by the ADC output control blocks and store the conversion result data to the ADC data register.

- **Voltage Window Detect and Code Limit**

The ADC can compare the input voltage by a threshold window. Also the ADC output code can be compared by a code limit area to skip or clamp the code by the same threshold window.

- **ADC Data Sum Accumulate**

The ADC built-in one hardware accumulator for ADC output code. The accumulator is used to accumulate the sequential ADC data with programmable data number and records the sum to the summary registers. User can set the accumulated ADC data number. The ADC is supported three sum data registers and user can get the accumulated sum from these registers.

- **ADC Wait and Auto-Off**

The ADC supports a wait mode function to prevent ADC overrun in application with low frequency ADC sampling clock. Also ADC supports an auto off mode function to force the ADC auto entering power-off except during the active conversion phase.

6.14. Analog Comparator

6.14.1. Introduction

The chip builds in one CMP module which embeds four general purpose analog comparators with flexible input multiplexer, two internal voltage references of R-ladder and independent digital synchronized filter for each analog comparator. These analog comparators can be configured to four standalone comparators or a combined window comparator. The module provides the comparator output result status bit and the interrupt flags of rising edge or falling edge change. Also the output result can be output to external pin or internal other modules for trigger event.

6.14.2. Features

- Provide 4 fast Rail-to-rail comparators
- Programmable 64-step threshold of internal voltage reference
- Provide external total 10 channels input for all comparators
- Provide flexible 6 channels input for each +/- input path selection
- Programmable response time for optimal current consumption
- Combined window comparator from two comparators
- Selectable compare output polarity
- Support power-down wakeup
- Compare output to I/O , interrupt or as internal module trigger event
 - Timer internal trigger, Capture events, or Break events
- Support analog watch dog as a reset source

6.14.3. CMP Control Block

The CMP module includes four general purpose analog comparators CMP0~3 by the same design structure and two internal voltage references *IVREF/IVREF2* by R-ladder structure. Each one is with the independent input multiplexer, digital synchronized filter and digital output circuit. The *IVREF* is only using for CMP0 and the *IVREF2* is shared for CMP1~3.

The analog comparator is built-in two internal voltage references – *IVREF* and *IVREF2* with 64-steps R-ladder structure. They can use as one of the analog comparator input and compare with another input from external source.

The analog multiplexers (AMUX) select the inputs of *CMPn_I0,CMPn_I1* to each analog comparator and *CMP_C0,CMP_C1* to all analog comparator CMP0/1/2/3. It allows any of the input pins to CMP0/1/2/3 to be compared between positive input and negative input.

The analog input pins used for the comparators also have its I/O port 's digital input and output function. In order to give the proper analog performance, a pin that is being used should have its digital output as disabled. It is done by putting the port pin into the digital input mode. And when an analog signal is applied to the analog input pin and the digital input from this pin is not needed, software could set the corresponding pin to AIO mode to reduce power consumption in the digital input buffer.

6.15. DAC

6.15.1. Introduction

The chip builds in one DAC module which embeds one 10-bit current mode DAC (digital-to-analog converter) and digital logic for input code control. The digital-to-analog conversion can be performed and start trigger by data register written, events (external pin input or internal events). The DAC can output a full-scale current maximum 2mA under the conversion rate up to 100 KHz.

6.15.2. Features

- **One 10-bit current DAC**
 - Maximum conversion rate is 100KHz
 - Analog output to ADC internal channel
- **Conversion start trigger by register written, external pin and internal events**
- **Programmable full-scale output current**
 - 0.5/1/2 mA
- **Data alignment for input code left/right justify**
 - Configurable code width : 10/8-bit
- **Output data are buffered with DMA capability**

6.15.3. DAC Control Block

The DAC control block consists of a 100 Ksps/10-bit current mode DAC, reference voltage circuit, a DAC data code register, a DAC conversion output register (DOR0) and DAC conversion trigger start control block.

The DAC output is programmable to full-scale output current 0.5,1 or 2 mA. As the DAC is current mode, the DAC output is usually necessary to connect an external resistance load and converts to the voltage output. The output voltage V_{out} is calculated by the formula in following diagram. **The output voltage is limited at the up boundary voltage : “DAC operation power voltage – 1volt”.**

6.16. IWDT

6.16.1. Introduction

The chip has one independent Watch-dog timer to use as a recovery method in situations where the CPU may be subjected to software upset. It will trigger system reset when the counter reaches a given timeout value.

6.16.2. Features

- **8-bit down counter with 12-bit prescaler and clocked by its own CK_ILRCO**
- **Operating capability in SLEEP and STOP modes**
- **Selectable reset or interrupt when the counter underflow**
- **Support two early wakeup comparators with interrupt**

- Support register key-protected and reset-locked functions

6.16.3. IWDT Control

The IWDT watch-dog timer consists of a 12-bit prescaler and an 8-bit timer. When the watch-dog timer is enabled, software should always reset the timer before the timer is timeout. When the watch-dog timer is reset, the timer will be reloaded 0xFF value to restart counting.

If the chip is out of control by any disturbance, the firmware may miss to reset the timer and the timer timeout will be coming. It makes the IWDT generating a reset event and sends it to Reset Source Controller (RST) to do as the warm reset events or cold reset events.

The IWDT is able to record default initialized value in hardware option byte (**OB**) about IWDT on/off, input clock divider value, IWDT registers write protection.

The IWDT is able to operate in **STOP** mode and the APB clock is stopped and the module is asynchronous control for all logic.

The IWDT supports to wakeup chip in **STOP** mode by the events of watch-dog timer underflow and early wakeup-0/1 detection. When the chip is entering **STOP** mode and any of these IWDT wakeup events is happened, the IWDT will send the wakeup event to Power Controller (PW) to do as the system wakeup events.

6.17. WWDT

6.17.1. Introduction

The system window watchdog is used to detect the occurrence of a software fault which causes the application program abnormal. The watchdog circuit generates a system reset when the counter reaches a given timeout value.

The WWDT has a configurable time-window that can be programmed to detect abnormally late or early application behavior.

6.17.2. Features

- 10-bit counter with 1 or 256 divider , 1/2/4~1/128 divider
- Configurable time-window to detect abnormally late or early application behavior
- Selectable reset or interrupt when the counter is underflow or reloaded outside the window
- Support warning interrupt
- Support register key-protected and reset-locked functions

6.17.3. WWDT Control

The WWDT watch-dog timer consists of one /1 or /256 clock prescaler, one 7-bit clock divider and one 10-bit timer. When the watch-dog timer is enabled, software should always reset the timer before the timer is timeout. When the watch-dog timer is reset, the timer will reload the value to restart counting.

When the firmware is out of control, which may miss to reset the timer and the timer timeout will be coming. It makes the WWDT generating a reset event and sends it to Reset Source Controller (RST) to do as the warm reset events or cold reset events. If the firmware reset the timer and the counter value is over the threshold value of window compare threshold in the same time, it also makes the WWDT generating a reset event.

6.18. RTC

6.18.1. Introduction

The real-time clock is an independent 32-bit timer. The RTC provides a time clock with programmable alarm interrupt. User can use as a calendar with software programmable alarm seconds, minutes, hours, day, and date.

The RTC provides a wakeup flag to perform auto wakeup from power down mode with interrupt.

6.18.2. Features

- Built-in 32-bit counter with selectable clock source
- Support alarm function with 32-bit programmable compare register
- Support time-stamp function for event saving
- Support wakeup from Stop mode

- Support register key-protected and reset-locked functions

6.18.3. RTC Control

The RTC supports an alarm function and one register to sets the RTC alarm compare value. When the RTC timer value is matched with RTC alarm compare value, the RTC alarm flag is asserted and generates an interrupt. Also the RTC can capture from the 32-bit timer value or reload value to the 32-bit timer.

The RTC supports a time stamp function by external input. User can select input trigger edge of rising edge, falling edge or dual-edge. When an external input signal is matched, the RTC time stamp flag is asserted and generates an interrupt.

One **RTC_OUT** output is able to output the RTC internal signals to internal modules or external pin. There are four signals of timer overflow signal toggle output, time stamp trigger event, timer input periodic clock signal and alarm compare output event which can be selected and sent from **RTC_OUT** output.

The RTC is able to operate in **STOP** mode and the APB clock is stopped and the module is asynchronous control for all logic.

The RTC supports to wakeup chip in **STOP** mode by the events of timer overflow, timer input periodic clock and alarm compare output. When the chip is entering **STOP** mode and any of these RTC wakeup events is happened, the RTC will send the wakeup event to Power Controller (PW) to do as the system wakeup events.

6.19. Timer

6.19.1. Introduction

The chip has seven Timer/Counter modules: TM00, TM01, TM10, TM16, TM20, TM26 and TM36. All of them can be configured as timers or event counters.

TM0x has an 8-bit timer/counter with 8-bit prescaler. TM1x has a 16-bit timer/counter with 16-bit prescaler. TM2x has a 16-bit timer/counter with 16-bit prescaler and embeds two input capture/output compare channels. TM36 has a 16-bit timer/counter with 16-bit prescaler and embeds four input capture/output compare channels.

6.19.2. Features

- Provide seven timers/counters : **TM00, TM01, TM10, TM16, TM20, TM26, TM36**
- Timer module common functions
 - Selectable Full-counter , Cascade , Separate modes
 - Multiple internal and external signals as timer clock source or trigger source
 - Internal timer events output to pin or other modules as input trigger event
 - Support timer reset , trigger start and clock gating for trigger source function
 - Timer overflow as clock output to external pin output
 - Programmable counter auto-stop mode
 - Main counter support up/down control (TM16/TM26/TM36 only)
 - 2nd counter support up/down control (Separate mode)
- Provide TM36 timer module
 - 32-bit timer/counter
 - 4 CCP (input Capture/output Compare/PWM) channels
 - 3 CCP channels with OCN (complementary output compare)
 - PWM function with center-align, dead time control and break control
 - Support OC comparator split to two separated comparators mode
 - Programmable dead time control
 - QEI(Quadrature Encoder Interface) support
 - External input timer up/down control
 - One IC and three OC with DMA capability
- Provide TM2x timer modules
 - 32-bit timer/counter
 - 2 CCP (input Capture/output Compare/PWM) channels
 - 2 CCP channels with OCN (complementary output compare)
 - QEI(Quadrature Encoder Interface) support (TM26 only)

MG32F02A132/072

- PWM function with edge-align
- Support OC comparator split to two separated comparators mode
- Provide TM1x timer modules
 - 32-bit timer/counter
 - External input timer up/down control (TM16 only)
- Provide TM0x timer modules
 - 16-bit timer/counter

6.19.3. Timer Modules' Function Table

The following table is showing the implemented functions of Timer modules.

Table 6-3. Timer Modules' Function Table

Module Functions	TM00	TM01	TM10	TM16	TM20	TM26	TM36
Timer/Counter total bits	16	16	32	32	32	32	32
Timer Cascade Mode	yes	yes	yes	yes	yes	yes	yes
Timer Separate Mode	yes	yes	yes	yes	yes	yes	yes
Timer Full-Counter Mode	yes	yes	yes	yes	yes	yes	yes
Independent channels					2	2	4
Internal TRGI lines	8	8	8	8	8	8	8
External TRGI lines	1	1	1	1	1	1	1
Output TRGO lines	1	1	1	1	1	1	1
Output CKO lines	1	1	1	1	1	1	1
Input Capture IC lines					2	2	4
Output OC lines					2	2	4
Output OCN lines					2	2	3
Output OCH lines					2	2	4
Input Break lines							1
PWM separated two					yes	yes	yes
PWM edge-align					yes	yes	yes
PWM center-align							yes
Dead-time generator							yes
Up/Down of 1st Timer	U	U	U	U/D	U	U/D	U/D
Up/Down of 2nd Timer	U/D	U/D	U/D	U/D	U/D	U/D	U/D
Timer auto Stop	yes	yes	yes	yes	yes	yes	yes
QEI timer U/D control						yes	yes
3-input XOR to CH-0							yes
DMA request capability							yes

- Note**
1. Timer Cascade Mode ~ 16-bit_counter+16-bit_prescaler or 8-bit_counter+8-bit_prescaler
 2. Timer Separate Mode ~ two 16-bit_counter or 8-bit_counter
 3. Timer Full-Counter Mode ~ 32-bit_counter or 16-bit counter

6.19.4. Timer Control Block

The TMx module is including of a Trigger/Clock control block, a Counter Stage, an Capture/Compare control block and Input/Output Stages of channel I/O control (TM2x, TM3x only) and a Break control block (TM36 only). TMx support three timer operation modes: (1) Cascade Mode (2) Separate Mode (3) Full-Counter Mode.

- **Trigger Control Block**

The Trigger Control block has two functions, one is to control the timer trigger input events and another is to control the timer trigger output events.

The timer trigger input events are including of Reset Timer, Gated Clock and Timer-Start Trigger for Main Timer and 2nd Timer. The input source of the timer trigger input events is selected from external trigger signal, internal trigger signals or external channel input signal of **TMx_IN0/TMx_IN1**.

The source of the timer trigger output events are able to come from many internal events or signals of this timer module. Also user can use the software register to set the trigger output directly. This source of output event can select and invert the output signal by registers.

- **Timer Input/Output Channels**

The following table is showing the channel input signals for each timer module. TM0x and TM1x modules are no channel input selection function as the input capture/output compare is not support. Each channel has four input lines.

- **Timer Input Capture and Output Compare**

The input capture (IC) and output compare (OC) functions are only supported for TM2x and TM3x modules. TM0x and TM1x modules are no the functions of the input capture/output compare.

User can configure each of the timer IC/OC channel independently as input capture, output compare or PWM mode.

- **PWM Dead-Time Control**

The Dead Time Generator (DTG) is only support for TM36 module. User can use with the DTG function and configure the timer channel as 16bit PWM mode or Two 8bit PWMs mode.

- **Break Control Block**

The break control block is only support for TM36 module. The module can input the break events from internal events, external events or software register to break the timer output signals.

- **QEI Control Block**

The QEI (Quadrature Encoder Interface) control block is only support for TM26 and TM36 modules. The QEI block can input from two external signals to control the Main Timer up or down counting. The QEI block provides five control modes and user can enable QEI control and configure the QEI control mode by register.

When the QEI control block is enabled, the timer will reset during up counting or reload the auto-reload value during down counting if detect the index signal active pulse.

6.20. I2C

6.20.1. Introduction

The I2C interface is a two-wire, bi-directional serial bus. It is ideally suited for typical microcontroller applications. The I2C protocol allows the systems designer to interconnect up to 128 different devices using only two bi-directional bus lines, one for clock (SCL) and one for data (SDA). The I2C bus provides control of SDA, SCL generation and synchronization, arbitration logic, and START/STOP control and generation. The only external hardware needed to implement this bus is a single pull-up resistor for each of the I2C bus lines. All devices connected to the bus have individual addresses, and mechanisms for resolving bus contention are inherent in the I2C protocol.

The I2C module builds in the shadow buffer and data register to improve transmit and receive communication performance.

6.20.2. Features

- **Provide two identical I2c modules : I2C0 , I2C1**
- **I2C module common functions**
 - Support master and slave mode
 - Support programmable clock rate control and clock rate up to 1 MHz

- Support programmable high/low period control for master mode
- Support clock stretching for slave mode
- Support general call function
- Support multi-master processing capability
- Support both Byte mode and Buffer mode flow control
- Support Byte mode bus event code for simplex firmware control
- Support Buffer mode 4-byte data buffer and 32-bit data register for high speed communication
- Received and transmitted data are buffered with DMA capability
- Support SMBus timeout detection

6.20.3. I2C Control

- **I2C Data Byte Mode Control**

The module provides one bus event register to get the I2C Event Code for software byte-mode simplex control. An 8-bit shift buffer and an 8-bit data register are used for the I2C data Byte mode.

- **I2C Data Buffer Mode Control**

The module implements an 8-bit shift buffer, a 32-bit shadow buffer and a 32-bit data register for data flow control of data Buffer mode. The following diagram is showing the I2C Data Buffer mode control block.

- **I2C Master Timing Control**

Two timing control registers are simply used to configure the I2C timing of high and low cycle time.

- **I2C Timeout Timer Control**

The module provides one 8-bit timeout timer (TMO) for I2C access time-out control.

6.21. UART

6.21.1. Introduction

The UART module supports full-duplex transmission, meaning it can transmit and receive simultaneously. The module builds in the shadow buffer and data register by transmit and receive independently to improve transmit and receive communication performance. It can commence reception of a second byte before a previously received byte has been read from the register. However, if the first byte still hasn't been read by the time reception of the second byte is complete, one of the bytes will be lost.

The module can operate in multiple modes: asynchronous communication, synchronous communication, SPI master, *SmartCard*, *LIN*, multi-processor mode. The asynchronous communication operates as a full-duplex Universal Asynchronous Receiver and Transmitter (UART), which can transmit and receive simultaneously and at different baud rates.

6.21.2. Features

- **Provide four identical UART modules : URT0,URT1,URT2,URT3**
- **UART module common functions**
 - Support UART , Synchronous , SPI master , SmartCard , LIN , Multi-processor mode
 - Provide precise UART baud-rate control by programmable oversampling rate
 - Programmable data word length - 7 or 8 bits
 - Selectable MSB or LSB first data order
 - Configurable stop bits - 1 or 2 stop bits
 - Hardware parity checking and parity generation
 - Programmable 8~32 oversampling rate
 - Swappable TX/RX pin configuration
 - Separate signal polarity control for transmission and reception
 - Support a timeout timer for Idle/RX/Break/Calibration timeout detection
 - Support 4-byte data buffer and 32-bit data register for high speed communication
 - Received and transmitted data are buffered with DMA capability
 - Receive baud rate up to 6 Mbit/s
 - Support auto baud-rate detection and calibration
 - Support Multiprocessor communication for master and slave mode - Idle-Line , Address-Bit

- Support Low speed UART-like frame format IrDA
- Support transceiver hardware flow control by CTS/RTS signals only
- Provide driver enable signal to activate the transmission for one line communication
- Support transmission-error hardware detection and auto resent control for Smart-card
- Support receiving parity error hardware detection and auto retry control for Smart-card

6.21.3. UART Control

The UART module is able to configure the control mode from one of UART (asynchronous mode), SYNC (synchronous mode), IDLE (multi-processor idle mode) and ADR (multi-processor address-bit mode).

The UART module implements two operation modes of Idle-Line mode or Address-Bit mode for multi-processor communication.

- **UART Data Buffer**

The UART module implements two 8-bit shift buffers, two 32-bit shadow buffer and two 32-bit data register for data flow control and reduce the CPU overhead.

- **UART Data Character Format Setting**

The UART character is defined as the data unit for UART transaction. Generally, the character is including of one Start bit, 8-bit or 7-bit data bits and one Stop bit. Others, it also can insert one parity bit (PAR) and one address bit (ADR) for multi-processor mode.

- **UART TMO Timeout Control**

The module is provides one 16-bit timeout timer (TMO) for UART access time-out control. It can configure as an UART timeout timer or a general using timer by register. When the TMO timer is configured as a general using timer, there is one reload register for the timer.

The TMO timer can use to detect Idle Line condition, Break Timeout, RX Timeout, Idle Timeout and Baud-Rate Calibration Timeout.

- **UART Baud-Rate Control**

The Baud-Rate timer (BR) can configure as an UART Baud-Rate generator or a general using timer. The Baud-Rate timer generator is able to output the internal clock for UART communication Baud-Rate control.

- **UART Mute Mode Control**

The UART module is support a mute mode to disable receiving data character but the shift buffer is still operation for status detection. When the UART is entering mute mode, the RX shadow buffer is never load into data from shift buffer. The mute mode is useful for multi-processor communication.

The mute mode can be automatic by hardware detection to enter or exit by register configuration. Also it can be directly forced to enter or exit by register setting and user can manual to control the mute mode entering and exiting.

- **UART IrDA Control**

The UART module is built an IrDA encoder and an IrDA decoder in the data interface for IrDA communication.

- **UART DE Control**

The UART module provides one data enable signal of **URTx_DE**. This signal is used to indicate the data transmitted period and can output to external signal drive device. The external signal drive device can receive the UART TX signal and drive it with a signal enhanced buffer to the target of UART receiver for long distance communication.

- **UART Hardware Flow Control**

The UART supports a hardware flow control function for data transaction and provides two control signals of **URTx_CTS** (Clear to Send) and **URTx_RTS** (Request to Send) for the hardware flow control.

6.22. SPI

6.22.1. Introduction

The chip provides a high-speed serial peripheral interface (SPI). SPI is a full-duplex, high-speed and synchronous communication bus with two operation modes: Master mode and Slave mode. The SPI module builds in the shadow buffer and data register by transmit and receive independently to improve transmit and receive communication performance.

6.22.2. Features

- Support one SPI module – SPI0
- Support master and slave mode
 - Support full duplex , half duplex or simplex communication mode
 - Support no NSS(slave select signal) communication mode
- Support programmable clock rate control
 - Support clock rate up to 12 MHz for master and 6MHz for slave
- Selectable 4~32-bit frame size
 - Support 4-byte data buffer and 32-bit data register for high speed communication
- Received and transmitted data are buffered with DMA capability
- Support multi-master processing capability
- Selectable clock polarity and phase
- Selectable MSB or LSB first data order
- NSS line management by hardware or software for both master and slave
- Configurable data transfer modes
 - Standard SPI mode (separated transmit and receive line)
 - Single SPI mode with bidirectional data transfer
 - Dual SPI mode with bidirectional data transfer
 - Quad SPI mode with bidirectional data transfer
 - Octal SPI mode with bidirectional data transfer
- Data transmit/receive overrun detect
- Support hardware master mode failure detection and auto slave mode change

6.22.3. SPI Control

- **SPI Data Buffer Mode Control**

The module implements two 32-bit shift buffers, two 32-bit shadow buffer and two 32-bit data register for data flow control and reduce the CPU overhead.

- **SPI Data Frame**

User can set the data frame bit size from 4-bit to 32-bit by register. Also user can configure the frame data order by Lsb first or Msb first.

- **SPI Data Modes**

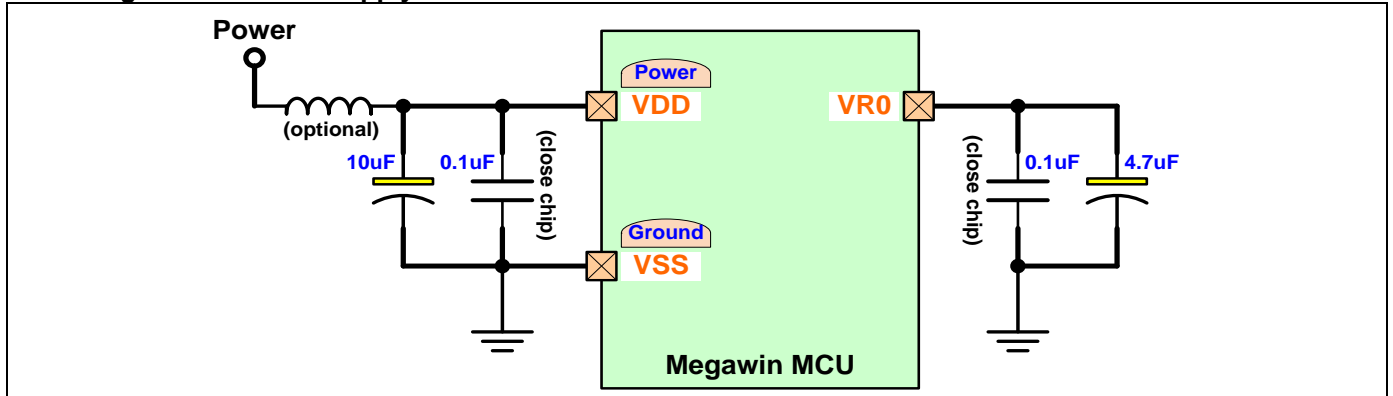
The SPI module provides several data modes and can be configured to one of the modes of standard SPI, 1-Line SPI, 2-Line SPI, 4-Line SPI, two duplicated 4-Line SPI or 8-Line SPI for flexible SPI application.

7. Application Notes

7.1. Power Supply Circuit

To have the chip work with power supply varying from 1.8V to 5.5V, adding some external decoupling and bypass capacitors is necessary on **VDD/VSS** power pins, as shown in following figure. Also the same application suggestion on **VDD2/VSS2** power pins for LQFP80 package.

Figure 7-1. Power Supply Circuit



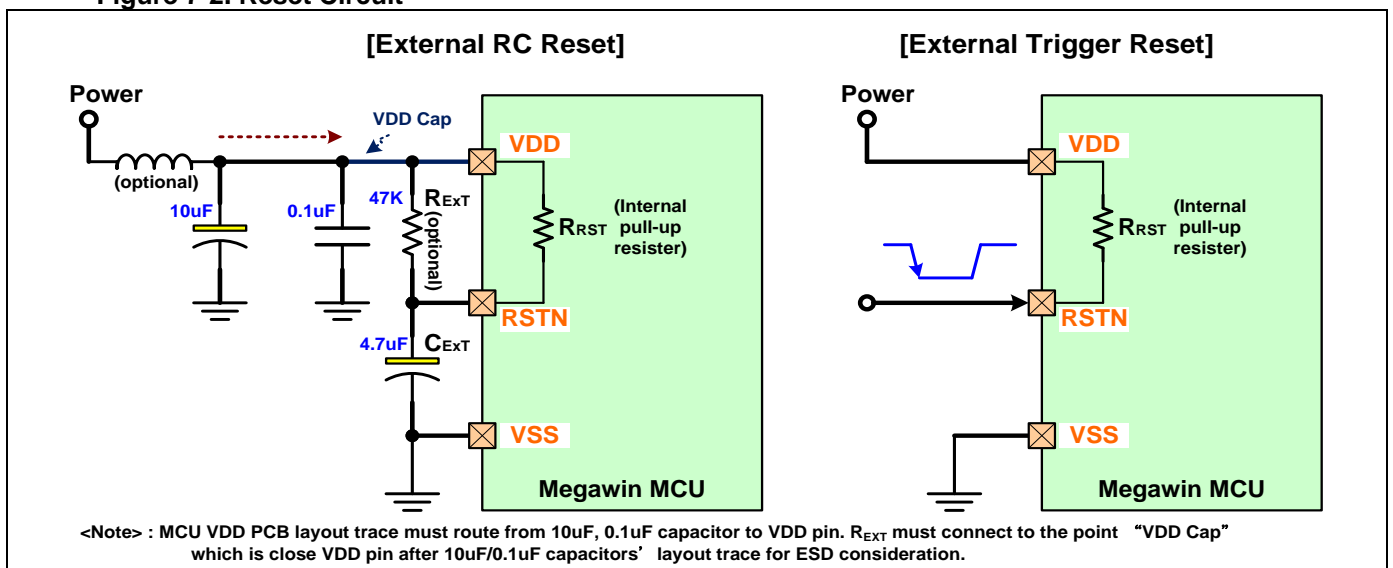
7.2. Reset Circuit

Normally, the power-on reset can be successfully generated during power-up. However, to further ensure the MCU a reliable reset during power-up, the external reset is necessary. The following figure shows the external reset circuit, which consists of a capacitor C_{EXT} connected to **VSS** (ground) and a resistor R_{EXT} connected to **VDD** (power supply).

In general, R_{EXT} is optional because the **RSTN** pin has an internal pull-high resistor (R_{RST}). This internal diffused resistor to **VDD** permits a power-up reset using only an external capacitor C_{EXT} to **VSS**.

Strongly suggestion, the **RSTN** pin must set to output mode if it is used to do as both chip reset and GPIO functions in application. In this condition, the pin input low may make chip reset locked error if it set to GPIO input mode.

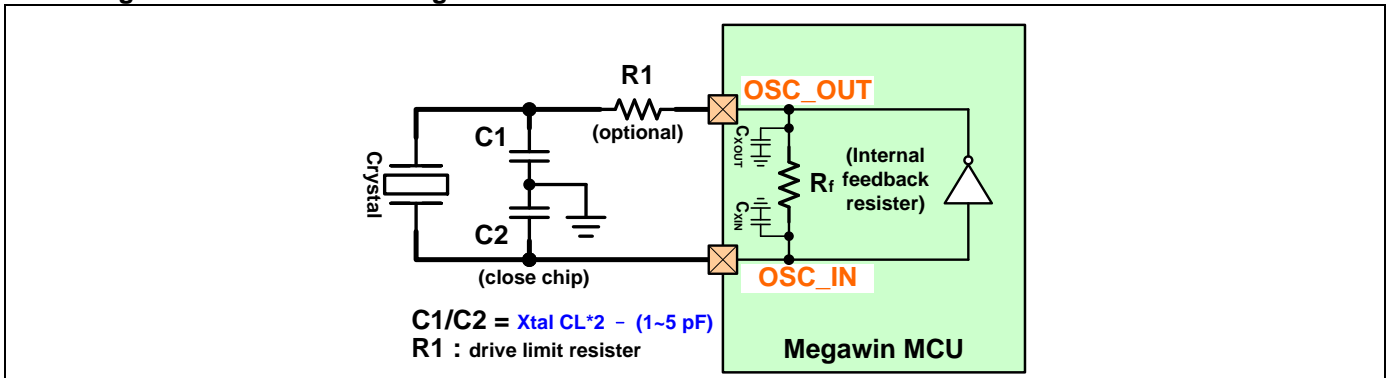
Figure 7-2. Reset Circuit



7.3. Xtal Oscillating Circuit

To achieve successful and exact oscillating (up to 24MHz), the capacitors **C1** and **C2** are necessary, as shown in following figure. Normally, **C1** and **C2** have the same value.

Figure 7-3. XTAL Oscillating Circuit



The following table lists the suggested **C1** & **C2** value for the different frequency crystal application. Refer the capacitor load value in Xtal manufacture specification for the final matching capacitor of **C1** & **C2**.

Table 7-1. Reference Capacitance of C1 & C2 for crystal oscillating circuit

Crystal	C1, C2 Capacitance
12MHz ~ 25MHz	15pF (12~20pF)
4MHz ~ 12MHz	20pF (15~33pF)
32KHz	10pF (7~12pF)

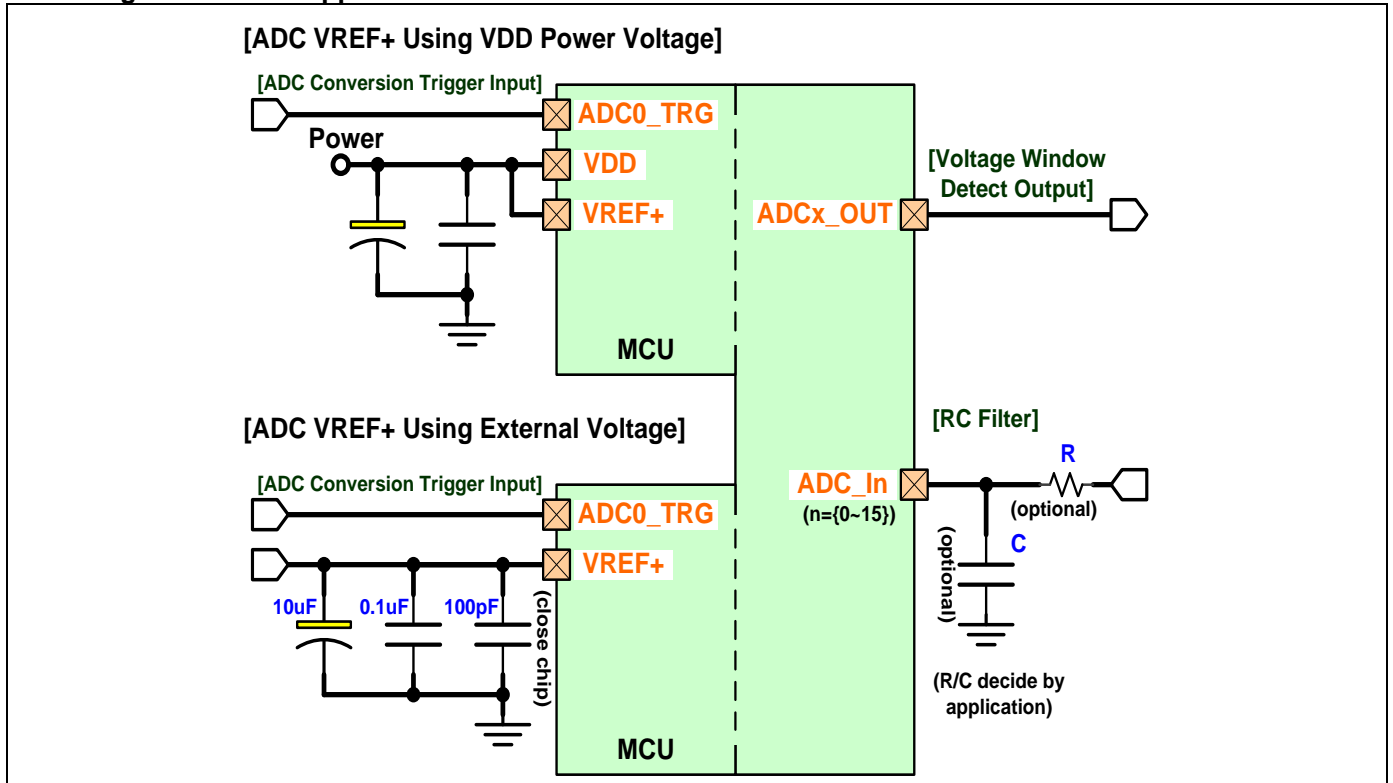
7.4. ADC Application Circuit

The ADC reference voltage source can be from (1) VDD power by connecting **+VREF** pin to **VDD** pin directly (2) external quiet reference voltage source.

When uses the VDD power as the ADC reference voltage, it must connect **+VREF** pin trace to the point which is at current flow behind the power capacitor(s). When uses the external reference voltage source as the ADC reference voltage, it must add some decoupling and bypass capacitors, as shown in following figure.

An optional **ADCx_TRG** pin is able to input the trigger signal for ADC input conversion and an optional **ADCx_OUT** pin is used to output the internal ADC window detection status.

Figure 7-4. ADC Application Circuit

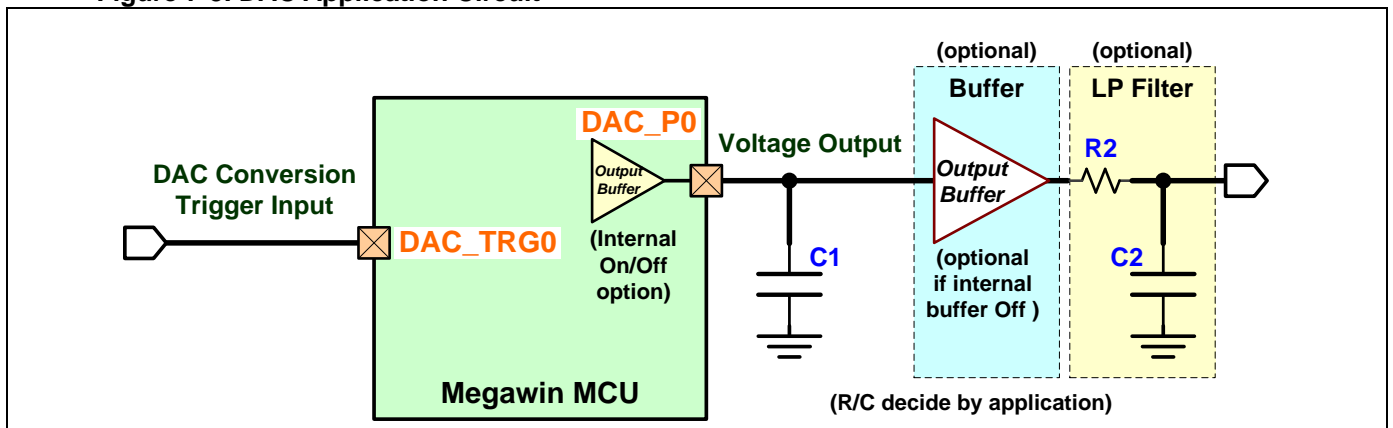


7.5. DAC Application Circuit

The DAC is necessary an external R-load ($R1$) to convert the current output to the voltage output. An external low-pass filter ($R2/C2$) is strongly suggestion to be implemented in the application circuit for more better outputting performance.

An optional `DAC_TRG0` pin is able to input the trigger signal for DAC output conversion.

Figure 7-5. DAC Application Circuit



8. Electrical Characteristics

8.1. Parameter Glossary

Table 8-1. Parameter Glossary

Symbol	Definition	Descriptions
Abbreviations for electrical characteristics		
Min	Minimum value	Unless otherwise specified, the value is guaranteed in worst conditions of ambient temperature, supply voltage by referring sample testing mean value.
Max	Maximum value	Unless otherwise specified, the value is guaranteed in worst conditions of ambient temperature, supply voltage by referring sample testing mean value.
Typ	Typical value	Unless otherwise specified, the value is based on TA=25 °C, VDD=5V.
VDD	Power supply voltage	The voltage range is specified in characteristics table or conditions column.
VSS	Power reference voltage	Unless otherwise specified, all voltages are referred to VSS.
TA	Ambient temperature	The temperature range is specified in characteristics table or conditions column.
T_{PC}	Peripheral clock cycle time	The peripheral input clock source may select APB, SYS or other clock. This clock frequency needs lower than 1/2 of the module process clock frequency.

8.2. Absolute Maximum Rating

Table 8-2. Absolute Maximum Rating

Parameter	Rating	Unit
Ambient temperature under bias	-40 ~ +85	°C
Storage temperature	-65 ~ + 150	°C
Voltage on any Port I/O Pin or RST with respect to VSS	-0.5 ~ VDD + 0.5	Volt
Voltage on VDD with respect to VSS	-0.5 ~ +6.0	Volt
Maximum total current through VDD and VSS	200	mA
Maximum output current sunk by any I/O pin	40	mA

Note: stresses above those listed under “Absolute Maximum Ratings” may cause permanent damage to the device. This is a stress rating only and functional operation of the devices at those or any other conditions above those indicated in the operation listings of this specification is not implied. Exposure to maximum rating conditions for extended periods may affect device reliability.

8.3. DC Characteristics

Table 8-3. DC Characteristics

VDD=5.0V±10%, VSS=0V, TA = 25 °C and execute NOP for each CPU cycle (unless otherwise specified)

Symbol	Parameter	Conditions	Limits			Unit
			Min	Typ	Max	
Input/Output Characteristics						
V_{IH}	Input High voltage	Except RSTN,XIN/XOUT pins	0.6			VDD
V_{IH_XOSC}	Input High voltage (XIN)	XIN pin GPIO mode	0.75			VDD
V_{IH_RST}	Input High voltage (RSTN)	RSTN pin reset/GPIO mode	0.75			VDD
V_{IL}	Input Low voltage	Except RSTN,XIN/XOUT pins			0.15	VDD
V_{IL_XOSC}	Input Low voltage (XIN)	XIN pin GPIO mode			0.2	VDD
V_{IL_RST}	Input Low voltage (RSTN)	RSTN pin reset/GPIO mode			0.2	VDD
I_{IH}	Input High Leakage current	V _{PIN} = VDD		0	5	uA

I_{IL1}	Logic 0 input current (quasi-bidirectional mode or input mode with on-chip pull-up resistor)			20	50	uA
I_{IL2}	Logic 0 input current (input mode or open-drain mode)			0	5	uA
I_{H2L}	Logic 1 to 0 input transition current (quasi-bidirectional or input mode with on-chip pull-up resistor)	V _{PIN} = 1.8V		320	500	uA
I_{OH1}	Output High current (push-pull output mode & full level)	V _{DD} = 4.5V , V _{PIN} = 2.4V		24.4		mA
I_{OH2}	Output High current (push-pull output mode & 1/2 level)	V _{DD} = 4.5V , V _{PIN} = 2.4V		12.6		mA
I_{OH3}	Output High current (push-pull output mode & 1/4 level)	V _{DD} = 4.5V , V _{PIN} = 2.4V		7.2		mA
I_{OH4}	Output High current (push-pull output mode & 1/8 level)	V _{DD} = 4.5V , V _{PIN} = 2.4V		3.2		mA
I_{OL1}	Output Low current(full level)	V _{DD} = 4.5V , V _{PIN} = 0.4V		20.0		mA
I_{OL2}	Output Low current(1/2 level)	V _{DD} = 4.5V , V _{PIN} = 0.4V		11.0		mA
I_{OL3}	Output Low current(1/4 level)	V _{DD} = 4.5V , V _{PIN} = 0.4V		6.2		mA
I_{OL4}	Output Low current(1/8 level)	V _{DD} = 4.5V , V _{PIN} = 0.4V		3.0		mA
R_{PU}	IO pin pull-high resistance	Except RSTN		15		Kohm
R_{RST}	Internal reset pull-high resistance			250		Kohm
TR1	IO rising time(Normal mode and IO output drive strength is full level)	Except RSTN,XIN/XOUT pins		7.2		ns
TR2	IO rising time(Normal mode and IO output drive strength is 1/4 level)	Except RSTN,XIN/XOUT pins		11.4		ns
TR3	IO rising time(High speed mode and IO output drive strength is full level)	Except RSTN,XIN/XOUT pins		5.5		ns
TR4	IO rising time(High speed mode and IO output drive strength is 1/4 level)	Except RSTN,XIN/XOUT pins		10.8		ns
TR5	IO rising time(XOUT)			6.9		ns
TR6	IO rising time(XIN)			5.5		ns
TR7	IO rising time(RSTIN)			6.7		ns
TF1	IO falling time(Normal mode and IO output drive strength is full level)	Except RSTN,XIN/XOUT pins		4.0		ns
TF2	IO falling time(Normal mode and IO output drive strength is 1/4 level)	Except RSTN,XIN/XOUT pins		11.8		ns
TF3	IO falling time(High speed mode and IO output drive strength is full level)	Except RSTN,XIN/XOUT pins		2.9		ns
TF4	IO falling time(High speed mode and IO output drive strength is 1/4 level)	Except RSTN,XIN/XOUT pins		10.8		ns
TF5	IO falling time(XOUT)			4.7		ns
TF6	IO falling time(XIN)			5.6		ns
TF7	IO falling time(RSTIN)			4.1		ns
Current Consumption						
I_{OP0}	ON(normal) mode operating current	TL0 (APB=AHB=32KHz) NOP		0.07		mA
I_{OP1}		TL1 (APB=AHB=32KHz) drystone		0.07		mA
I_{OP2}		TL2 (APB=AHB=12MHz) drystone		4		mA
I_{OP3}		TL3 (APB=AHB=24MHz) dhrystone +		13.5		mA

MG32F02A132/072

		IP				
I_{OP6}		TL6 (APB=AHB=48MHz) dhrystone + all IP		29.5		mA
I_{SLP0}	SLEEP mode operating current (IWDT Enable)	SL0 (ILRCO on: IWDT Disable, APB=AHB=32KHz)		56		uA
I_{SLP1}		SL1 (IHRCO on: APB=6MHz,AHB=3MHz)		1080		uA
I_{SLP2}		SL2 (IHRCO on: APB=AHB=12MHz)		1630		uA
I_{STP0}	STOP mode operating current (LVR/BOD0/BOD1 Disabled)	ST0 (ILRCO off)		10.5		uA
I_{STP1}		ST1 (IWDT Enable, ILRCO=32KHz)		12.94		uA
I_{STP2}		ST2 (RTC Enable, ILRCO=32KHz)		13		uA
Wakeup Time						
t_{WK_SLP0}	Wakeup from SLEEP mode	IHRCO/ILRCO on, wakeup by RTC event (APB Clock= IHRCO clock)		5	6	T_{PC}
t_{WK_STP0}	Wakeup from STOP mode	ILRCO on, wakeup by RTC event	20			us
BOD Characteristics						
V_{LVR}	LVR detection level (VR0)	TA = -40°C to +85°C	1.4	1.55	1.6	Volt
V_{BOD0}	BOD0 detection level (VR0)	TA = -40°C to +85°C	1.6	1.65	1.7	Volt
I_{BOD0+LVR}	BOD0 and LVR Power Consumption	TA = 25°C			6	
V_{BOD10}	BOD1 detection level for 2.0V	TA = -40°C to +85°C	1.85(*1)	2.0	2.18(*1)	Volt
V_{BOD11}	BOD1 detection level for 2.4V	TA = -40°C to +85°C	2.22(*1)	2.4	2.62(*1)	Volt
V_{BOD12}	BOD1 detection level for 3.7V	TA = -40°C to +85°C	3.43(*1)	3.7	4.04(*1)	Volt
V_{BOD13}	BOD1 detection level for 4.2V	TA = -40°C to +85°C	3.89(*1)	4.2	4.59(*1)	Volt
I_{BOD1}	BOD1 Power Consumption	TA = 25°C	5.2		8.3	uA
Operating Condition						
V_{PSR}	Power-on Slop Rate	TA = -40°C to +85°C	0.05			V/ms
V_{OP1}	CPU Operating Speed 0–48MHz	TA = -40°C to +85°C	2.5		5.5	Volt
V_{OP2}	CPU Operating Speed 0–12MHz	TA = -40°C to +85°C	1.8		5.5	Volt

(*1) Data based on characterization results, not tested in production.

T_{PC}: APB clock cycle time, IP: internal peripheral modules, all IP: all test modules

TL3 ~ TL6: Measure current with IO toggle

8.4. External Clock Characteristics

Table 8-4. External Clock Characteristics

VDD=2.7V ~ 5.5V, VSS=0V, TA = -40°C ~ +125°C (unless otherwise specified)

Symbol	Parameter	Conditions	Crystal		External Clock		Unit
			Min	Max	Min	Max	
f_{xosc}	Oscillator Frequency	VDD = 2.7V ~ 5.5V	2	24	0	36	MHz
		VDD = 2.0V ~ 5.5V	2	24	0	12	MHz
t_{xosc}	Clock Period		41.6		27.7		ns
t_{H_xosc}	High Time		0.4T	0.6T	0.4T	0.6T	t_{xosc}
t_{L_xosc}	Low Time		0.4T	0.6T	0.4T	0.6T	t_{xosc}
t_{r_xosc}	Rise Time			5		5	ns
t_{f_xosc}	Fall Time			5		5	ns

8.5. PLL Characteristics

Table 8-5. PLL Characteristics

Parameter	Conditions	Limits			Unit
		Min	Typ	Max	
Supply Voltage		2.4	5.0	5.5	Volt
Input Clock Frequency Range	TA = -40°C to +85°C	5 (*1)		7 (*1)	MHz
PLL Locking Time	TA = -40°C to +85°C		6 (*2)		us
PLL Power Consumption	TA = +25°C, VDD=5.0V		0.6		mA
PLL Peak-Peak Jitter	TA = -40°C to +85°C		500	1000	pS

(*1) Data guaranteed by design, not tested in production.

(*2) Data based on characterization results, not tested in production.

8.6. IHRCO Characteristics

Table 8-6. IHRCO Characteristics

Parameter	Conditions	Limits			Unit
		Min	Typ	Max	
Supply Voltage		1.8	5.0	5.5	Volt
IHRCO Frequency	TA = +25°C		12		MHz
IHRCO Frequency Deviation (factory calibrated)	TA = +25°C	-1.0		+1.0	%
	TA = -40°C to +85°C	-1.5(*1)		+1.5(*1)	%
IHRCO Power Consumption	TA = +25°C, VDD=5.0V		0.35	0.7	uA

(*1) Data based on characterization results, not tested in production.

8.7. ILRCO Characteristics

Table 8-7. ILRCO Characteristics

Parameter	Conditions	Limits			Unit
		Min	Typ	Max	
Supply Voltage		1.8	5.0	5.5	Volt
ILRCO Frequency	TA = +25°C		32		KHz
ILRCO Frequency Deviation (factory calibrated)	TA = +25°C	-10		+10	%
	TA = -40°C to +85°C	-25(*1)		+25(*1)	%
ILRCO Power Consumption	TA = +25°C, VDD=5.0V			5	uA

(1) Data based on characterization results, not tested in production.

8.8. LDO Characteristics

Table 8-8. LDO Characteristics

VDD=5.0V±10%, VSS=0V, TA = 25 °C

Symbol	Parameter	Conditions	Limits			Unit
			Min	Typ	Max	
Supply Range						
VDD	Supply Voltage	Normal Mode	2.4	—	5.5	V
General						
VR0	LDO Output Voltage	ON(Normal) mode		1.83		Volt
		Low power mode (VDDAX=2.0V~5.5V ,Temp.= -40°C ~ +85°C)		1.75		Volt
IQ	Current	VDDAX=2.0V~5.5V, Temp.= 25°C		50		uA
		VDDAX=2.2V~5.5V, Temp.= -40°C ~ +85°C		50		uA
VDROP	Dropout Voltage	IOOUT=10mA, VDDAX=2.2V~5.5V (Normal Mode) Temp.= -40°C ~			20	mV

MG32F02A132/072

	(ON mode)	+85°C				
		IOUT=20mA, VDDAX=2.2V~5.5V (Normal Mode) Temp.= -40°C~+85°C			20	mV
		IOUT=30mA, VDDAX=2.2V~5.5V (Normal Mode) Temp.= -40°C~+85°C			40	mV
		IOUT=10mA, VDDAX=2.0V(Following Mode) Temp.= -40°C~+85°C	5		109	mV
		IOUT=20mA, VDDAX=2.0V(Following Mode) Temp.= -40°C~+85°C	80		240	mV
IOUT	Max output current	VDDAX=5.0V, Temp.= -40°C~+85°C	40			mA
		VDDAX=3.6V, Temp.= -40°C~+85°C	40			mA
		VDDAX=2.5V, Temp.= -40°C~+85°C	30			mA
		VDDAX=2.2V, Temp.= -40°C~+85°C	10			mA

8.9. Flash Characteristics

Table 8-9. Flash Characteristics

Parameter	Conditions	Limits			Unit
		Min	Typ	Max	
Supply Voltage	TA = -40°C to +125°C	1.7		5.5	Volt
Flash Write (Erase/Program) Voltage	TA = -40°C to +125°C	1.8		5.5	Volt
Flash Erase/Program Cycle	TA = -40°C to +125°C	20000			Times
Flash Data Retention	TA = +25°C	100			Year

8.10. ADC Characteristics

Table 8-10. ADC Characteristics

VDDA=VDD=5.0V±10%, VSS=0V, TA = 25 °C, CLOAD=10pF, Gain=x1 (unless otherwise specified)

Symbol	Parameter	Conditions	Limits			Unit
			Min	Typ	Max	
Supply Range						
VDDA	Analog Supply Voltage		2.7	5.0	5.5	Volt
IADC_ON	Operation Current - normal	Operation 250 Ksps		2.8	4.0	mA
IADC_OFF	Operation Current - power-down			0.1		uA
ADC Static Parameters						
	Resolution				12	bits
INL	Integral nonlinearity (INL)	VREF = 5V, VDD = 5V, ADC clock = 12 MHz 400K Hz Sample rate		±5		
DNL	Differential nonlinearity (DNL)	VREF = 5V, VDD = 5V, ADC clock = 12 MHz 400K Hz Sample rate		±0.5		
E _{OFFSET}	Offset error	VREF = 5V, VDD = 5V, ADC clock = 6 MHz 200K Hz Sample rate	-8		13	LSB
E _{FS}	Full scale error	VREF = 5V, VDD = 5V, ADC clock = 6 MHz 200K Hz Sample rate	-10		10	LSB
ADC Input and DC Characters						

V_{AIN}	ADC input voltage range (Single Ended)	gain = 1.0	0		V_{ref}	Volt
C_{LOAD}	Input Capacitance				8	pF
V_{XREF}	External ADC reference voltage		2.7		V_DD A	Volt
V_{BUF}	Internal VBUF reference voltage	-40 °C < < 85 °C	1.38	1.4	1.42	Volt
	Internal VBUF reference voltage spread over the temperature range	-40 °C < < 85 °C V _{BUF} =1.402V at 25°C		30		mV
ADC Conversion Parameters						
F_s	Sampling Clock			12	24	MHz
	Conversion Rate	V _D DA = 5.0 V			400	Ksps
	Conversion Time in Conversion Clock (not including Acquisition time)			30		clocks
ADC Other Characters and Definitions						
TADEN	ADC enable time		5			uS

(*1) The UG_{BW} will be divided by the GAIN setting. (ex: Ideal UGF will be 1MHz/4 when PGA gain=4)

8.11. ADC PGA Characteristics

Table 8-11. ADC PGA Characteristics

V_DDA=V_DD=5.0V±10%, V_SS=0V, T_A = 25 °C (unless otherwise specified)

Symbol	Parameter	Conditions	Limits			Unit
			Min	Typ	Max	
Supply Range						
V_DD A	Analog Supply Voltage		2.7	5.0	5.5	Volt
DC Characteristics						
V_{CM_IN}	Input Common-mode Voltage	V _D DA>3.0V,Gain=x1,as a unit gain buffer	0.03		V_DD A/2+0.5	V
		V _D DA<3.0V,Gain=x1,as a unit gain buffer	0.03		V_DD A/2	V
I_Q	Ground Current	V _D DA=5.0V, V _I N= V _D DA/2; V _O U T =V _D DA/2, Gain=x1 (R _F B=120KΩ current Not included when Gain=x1)		850		uA
AC Characteristics						
S_R	Slew rate (*1)	Normal Operation		3.5		V/us
U_GF	PGA Bandwidth Frequency (*2)	Normal Operation		10		MHz

(*1) Data guaranteed by design, not tested in production.

(*2) The UGF will be divided by the GAIN setting. (ex: Ideal UGF will be 10MHz/4 when PGA gain=4)

8.12. Analog Comparator Characteristics

Table 8-12. Analog Comparator Characteristics

V_DDA=V_DD=5.0V±10%, V_SS=0V, T_A = 25 °C (unless otherwise specified)

Symbol	Parameter	Conditions	Limits			Unit
			Min	Typ	Max	
Supply Range						
V_DD A	Analog Supply Voltage	-40°C ~ +125°C	2.0	5.0	5.5	Volt
I_{COMP0}	Operation Current - CMP0	Normal without IVREF (*1)		10		uA
		Normal with IVREF (*1)		223		uA
		Low power mode		1.8		uA
I_{COMP1}	Operation Current - CMP1,2,3 (both active)	Normal without IVREF (*1)		10		uA
		Normal with IVREF (*1)		223		uA
		Low power mode		1.8		uA

MG32F02A132/072

Analog Comparator Core						
V_{OS}	Input Offset Voltage			10		mV
V_{CM}	Input Common Mode Voltage		50		VDD-50	mV
	Comparator hysteresis			9		mV
T_{RT}	Response time	Normal operation (Falling)		376		ns
		Normal operation (Rising)		333		ns
		Low power mode (Falling)		1.5		us
		Low power mode (Rising)		1.1		us
t_{PWON}	Power on Time (from power-down)	Normal mode	0.5		0.75	us
		Low power mode		2		us
Internal Voltage Reference (IVREF)						
RU	Unit Resistance			309		ohm

(*1) IVREF : Internal voltage reference circuit

8.13. DAC Characteristics

Table 8-13. DAC Characteristics

VDD=5.0V±10%, VSS=0V, TA = 25 °C, TT case, R=420ohm

Symbol	Parameter	Conditions	Limits			Unit
			Min	Typ	Max	
Supply Range						
VDDA	Analog Supply Voltage	VDD = 2.4V~5.5V	2.5		5.5	Volt
DAC Static Parameters						
	Resolution				10	bits
INL	Integral nonlinearity (INL)	VREF = 5V, VDD = 5V, DAC clock = 200 kHz		<±1	±4.5	LSB
DNL	Differential nonlinearity (DNL)	VREF = 5V, VDD = 5V, DAC clock = 200 kHz Guaranteed Monotonic		<±0.5	1.3	LSB
E_{OFFSET}	Offset error	VREF = 5V, VDD = 5V, DAC clock = 200 kHz		0.1		LSB
	Full scale range (FSR)	Output Compliance Range	0		VDD-1	Volt
	Full Scale Error	2mA Full Scale	-150		150	uA
		1mA Full Scale	-70		100	uA
		0.5mA Full Scale	-40		50	uA
DAC Input and DC Characters						
I_{OP}	Operating Current (include DAC I _{BP})	2 mA Full Scale Output Current		2001		uA
		1 mA Full Scale Output Current		1004.7		uA
		0.5 mA Full Scale Output Current		500		uA
I_{BP}	Base portion, not include output current		26.8		38.8	uA
DAC Conversion Parameters						
T_{OS}	Output Setting Time to 1/2 KSB	(0000000000)->(1111111111)		6	10	us
T_{START}	Startup time			8		us

8.14. UART Characteristics

Table 8-14. UART Characteristics

VDD=5.0V±10%, VSS=0V, TA = -40°C ~ +125°C (unless otherwise specified)

Parameter	Conditions	Limits			Unit
		Min	Typ	Max	

UART Mode					
Serial Port Clock Frequency				6	MHz
Serial Port Clock Cycle Time		2			T _{PC}
Output Data Setup to Clock Rising Edge		T _{PC} -20			ns
Output Data Hold after Clock Rising Edge		T _{PC} -10			ns
Input Data Hold after Clock Rising Edge		0			ns
Clock Rising Edge to Input Data Valid				T _{PC} -20	ns
SPI Master Mode (Synchronous Mode)					
SPI Clock Frequency				12	MHz
SPI Clock High Time		3			T _{PC}
SPI Clock Low Time		3			T _{PC}

T_{PC} : APB clock or SYS clock cycle time

8.15. SPI Characteristics

Table 8-15. SPI Characteristics

VDD=5.0V±10%, VSS=0V, TA = -40°C ~ +125°C (unless otherwise specified)

Parameter	Conditions	Limits			Unit
		Min	Typ	Max	
Master Mode					
SPI Clock Frequency				12	MHz
SPI Clock High Time		2			T _{PC}
SPI Clock Low Time		2			T _{PC}
D _{IN} Valid to SPI Clock Shift Edge		2T _{PC} +20			ns
SPI Clock Shift Edge to D _{IN} Change		0			ns
SPI Clock Shift Edge to D _{OUT} Change				10	ns
Slave Mode					
SPI Clock Frequency				6	MHz
NSS Falling to First SPI Clock Edge		2			T _{PC}
Last SPI Clock Edge to NSS Rising		2			T _{PC}
NSS Falling to D _{OUT} Valid				4	T _{PC}
NSS Rising to D _{OUT} High-Z				4	T _{PC}
SPI Clock High Time		4			T _{PC}
SPI Clock Low Time		4			T _{PC}
D _{IN} Valid to SPI Clock Sample Edge		2			T _{PC}
SPI Clock Sample Edge to D _{IN} Change		2			T _{PC}
SPI Clock Shift Edge to D _{OUT} Change				4	T _{PC}
Last SPI Clock Edge to D _{OUT} Change (CPHA = 1 only)		1		2	T _{PC}

T_{PC} : APB clock or SYS clock cycle time

D_{IN} : SPI input data signal

D_{OUT} : SPI output data signal

8.16. I2C Characteristics

Table 8-16. I2C Characteristics

VDD=5.0V±10%, VSS=0V, TA = -40°C ~ +125°C (unless otherwise specified)

Symbol	Parameter	Conditions	Standard-mode		Fast-mode		Fast-mode Plus		Unit
			Min	Max	Min	Max	Min	Max	
f _{SCL}	SCL Clock Frequency		0	100	0	400	0	1000	KHz

MG32F02A132/072

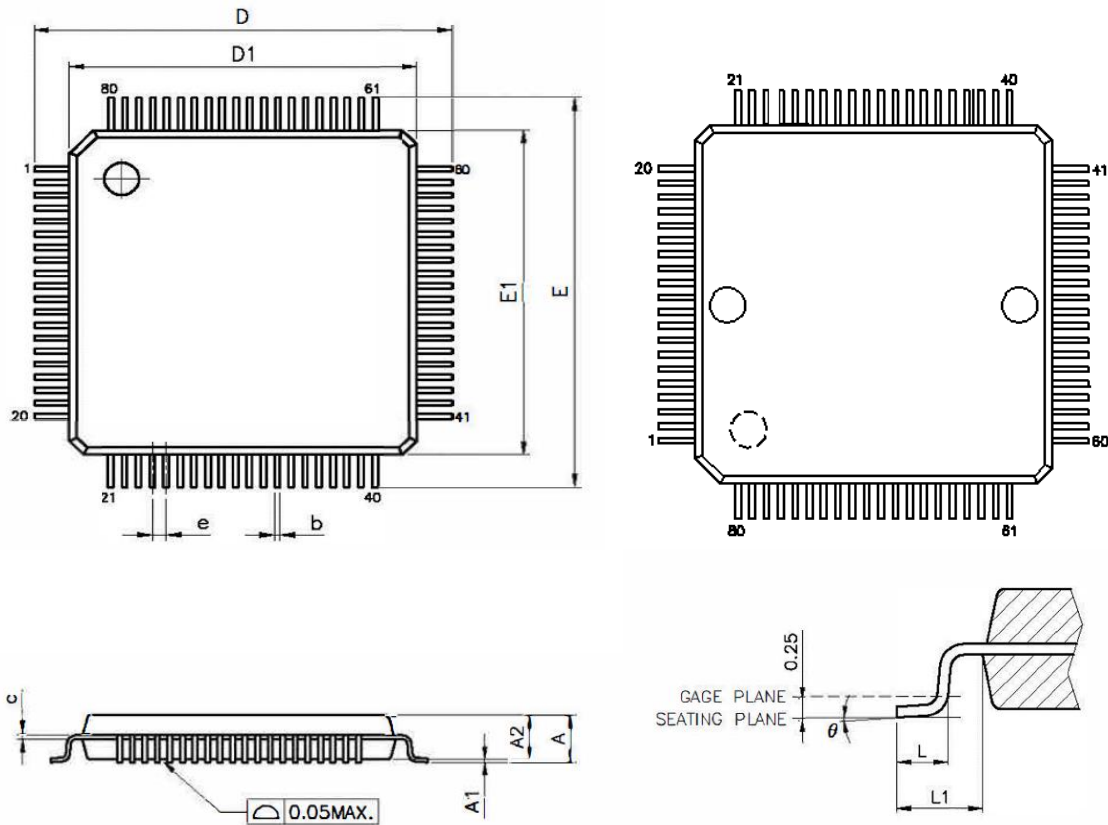
t_{Low}	Low period of the SCL clock		4.7		1.3		0.5		us
t_{Low_M}	Low period of the SCL clock (Master Mode)		2		2		2		T _{PC}
t_{Low_S}	Low period of the SCL clock (Slave Mode)		4		4		4		T _{PC}
t_{High}	High period of the SCL clock		4.0		0.6		0.26		us
t_{High_M}	High period of the SCL clock (Master Mode)		3		3		3		T _{PC}
t_{High_S}	High period of the SCL clock (Slave Mode)		5		5		5		T _{PC}
t_{HD;STA}	Hold time for START condition		4.0		0.6		0.26		us
t_{SU;STA}	Setup time for START condition		4.7		0.6		0.26		us
t_{HD;DAT}	Data hold time		0		0		0		us
t_{SU;DAT}	Data setup time		250		100		50		ns
t_{SU;STO}	Setup time for STOP condition		4.0		0.6		0.26		us
t_{BUF}	Bus free time between a STOP and START		4.7		1.3		0.5		us
t_{VD;DAT}	Data valid time			3.45		0.9		0.45	us
t_{VD;ACK}	Data valid acknowledge time			3.45		0.9		0.45	us
t_r	Rise time of both SDA and SCL signals			1000		300		120	ns
t_f	Fall time of both SDA and SCL signals			300		300		120	ns
C_i	Capacitive load for each IO pin			10		10		10	pF

T_{PC} : APB clock or SYS clock cycle time

9. Package Dimension

9.1. LQFP-80

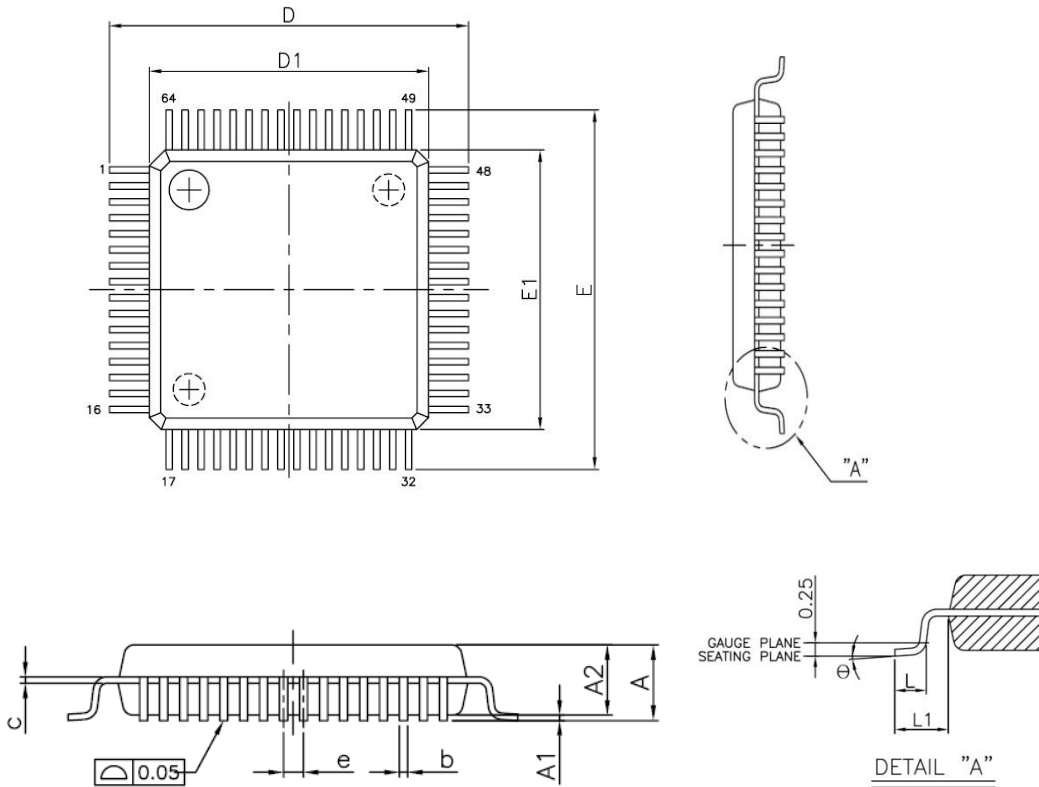
Figure 9-1. LQFP-80 (10mm X 10mm)



Unit	mm			inch		
Symbols	Min.	Nom.	Max.	Min.	Nom.	Max.
A	---	---	1.60	---	---	0.062
A1	0.05	---	0.15	0.001	---	0.005
A2	1.35	1.40	1.45	0.053	0.055	0.057
b	0.13	0.18	0.23	0.005	0.007	0.009
c	0.09	---	0.20	0.003	---	0.007
D	12.00 BSC			0.472 BSC		
D1	10.00 BSC			0.393 BSC		
E	12.00 BSC			0.472 BSC		
E1	10.00 BSC			0.393 BSC		
e	0.40 BSC			0.015 BSC		
L	0.45	0.60	0.75	0.018	0.024	0.030
L1	1.00 REF			0.039 REF		
e	0°	3.5°	7°	0°	3.5°	7°

9.2. LQFP-64

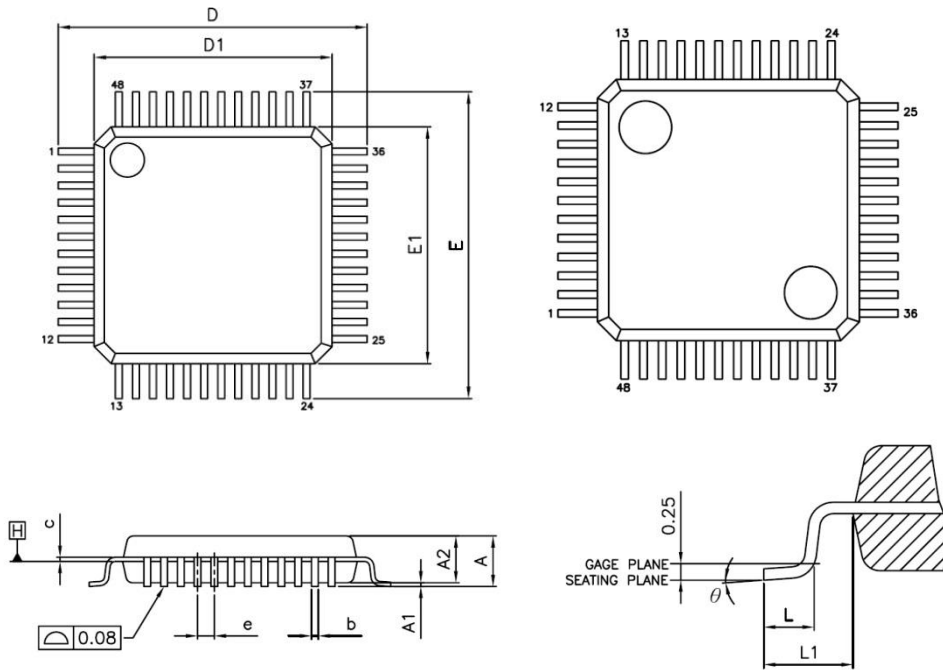
Figure 9-2. LQFP-64 (7mm X 7mm)



Unit Symbols	mm			inch		
	Min.	Nom.	Max.	Min.	Nom.	Max.
A	---	---	1.60	---	---	0.062
A1	0.05	---	0.15	0.001	---	0.005
A2	1.35	1.40	1.45	0.053	0.055	0.057
b	0.13	0.18	0.23	0.005	0.007	0.009
c	0.09	---	0.20	0.003	---	0.007
D	9.00 BSC			0.354 BSC		
D1	7.00 BSC			0.275 BSC		
e	0.40 BSC			0.015 BSC		
E	9.00 BSC			0.354 BSC		
E1	7.00 BSC			0.275 BSC		
L	0.45	0.60	0.75	0.018	0.024	0.030
L1	1.00 REF			0.039 REF		
e	0°	3.5°	7°	0°	3.5°	7°

9.3. LQFP-48

Figure 9-3. LQFP-48 (7mm X 7mm)



Unit	mm			inch		
Symbols	Min.	Nom.	Max.	Min.	Nom.	Max.
A	---	---	1.60	---	---	0.062
A1	0.05	---	0.15	0.001	---	0.005
A2	1.35	1.40	1.45	0.053	0.055	0.057
b	0.17	0.22	0.27	0.006	0.008	0.010
c	0.09	---	0.20	0.003	---	0.007
D	9.00 BSC			0.354 BSC		
D1	7.00 BSC			0.275 BSC		
E	9.00 BSC			0.354 BSC		
E1	7.00 BSC			0.275 BSC		
e	0.50 BSC			0.019 BSC		
L	0.45	0.60	0.75	0.018	0.024	0.030
L1	1.00 REF			0.039 REF		
e	0°	3.5°	7°	0°	3.5°	7°

10. Revision History

Revision V1.70 (2021_0603)		Chapter
1	Update the Symbol and Conditions description of “Current Consumption” in the table of “Table 8-3. DC Characteristics”.	8.3
2	Add the I_{SLP0} parameter in the table of “Table 8-3. DC Characteristics”.	8.3
3	Add ‘Internal VBUF reference voltage’ parameter in the table “Table 8 10. ADC Characteristics”.	8.10
Revision V1.60 (2021_0322)		Chapter
1	Update the “Clock” and “Timer” descriptions in Features chapter.	
2	Update the descriptions of the section “7.2. Reset Circuit” in Application Notes chapter.	7.2
3	Update ‘Input High voltage’ and ‘Input Low voltage’ characteristics in the table of “Table 8-3. DC Characteristics”.	8.3
4	Add ‘Wakeup Time’ characteristics in the table of “Table 8-3. DC Characteristics”.	8.3
5	Merge the table of “8.4.External Reset Pin Characteristic” to the table of “Table 8-3. DC Characteristics”.	8.3
6	Correct the part number of MG32F02A072AD80 to MG32F02A072AD64 in Order Information chapter.	2
Revision V1.54 (2021_0108)		Chapter
1	Update the ‘Symbol’ of ‘BOD Characteristics’ in the table of “Table 8-3. DC Characteristics”.	8.3
2	Add the parameters of ‘Input Common-mode Voltage’ and ‘Slew rate’ in the table of “Table 8-12. ADC PGA Characteristics”.	8.12
Revision V1.53 (2020_1214)		Chapter
1	Update the ‘Conditions’ description of ‘PLL Peak-Peak Jitter’ parameter in the table of “Table 8-6. PLL Characteristics”.	8.6
2	Add the information of ‘Dimensions in inch’ for each package in Package Dimension chapter.	9
Revision V1.52 (2020_1008)		Chapter
1	Update the table of “Table 5 1. CPU Memory Address Map” in the section of “CPU Memory Map”.	5.2
Revision V1.51 (2020_0928)		Chapter
1	Add the “Misc.” and update “Operating” descriptions in Features chapter.	
Revision V1.50 (2020_0323)		Chapter
1	Add the independent pin AFS table for each package in the section of “4.1. Pin Outline”.	4.1
2	Add the sections of “Analog Function Pin Table” and “Alternate Functions Pin List”.	4.4, 4.5
3	Add TR2 and update the I_{OL3} parameter in the table of “Table 8-3. DC Characteristics”.	8.3
4	Update the TR1, 3~7 and the TF1~6 parameters in the table of “Table 8-3. DC Characteristics”.	8.3
Revision V1.47 (2019_1115)		Chapter
1	Correct the text “SPI (Slave)” to “SPI (Master)” on the diagram of “Figure 3 1. System Function Block”.	3.1
2	Add descriptions for VDD2/VSS2 power pins.	7.1

3	Add UART synchronous mode (SPI master mode) timing electrical in “Table 8-15. UART Characteristics”.	8.15
Revision V1.46 (2019_0614)		Chapter
1	Remove V_{IH2} , V_{IL2} on “DC Characteristics” table.	8.3
2	Change D_{OUT} to D_{IN} on “SPI Characteristics” table.	8.16
Revision V1.45 (2019_0510)		Chapter
1	Update the GPL descriptions about “Data byte order change” in General Purpose Logic chapter.	6.10.2
2	Change I_{SLP3} , SL0 to I_{SLP2} , SL1 on “DC Characteristics” table.	8.3
Revision V1.44 (2019_0416)		Chapter
1	Update the GPL descriptions about “Data byte order change” in Features chapter.	
2	Correct the VDD/VSS descriptions error in the section of “Reset Circuit.”	7.2
3	Change E_{GAIN} (Gain error) to E_{Fs} (Full scale error) on “ADC Characteristics” table.	8.11
Revision V1.43 (2019_0220)		Chapter
1	Update the table of “Table 6-3. Timer Modules' Function Table”.	6.19.3
Revision V1.42 (2018_1203)		Chapter
1	Update the comment of IC/OC/PWM in the table of “Table 2-1. Chip Selection Table”.	2
Revision V1.41 (2018_1112)		Chapter
1	Update current of Iop0/ Iop1/ Iop7 in the section of DC Characteristics.	8.3
Revision V1.40 (2018_1106)		Chapter
1	Remove the function of “Support slave address hardware detection wakeup from STOP mode” in the section of “Features”.	“Features” 6.20.2
2	Add the section of “Part Number List”.	2
3	Update the descriptions of SLEEP mode and STOP Mode.	6.2.3
4	Update the descriptions about clock rate in the sections of “Introduction” and “Features”.	6.22.1 6.22.2
5	Update and add STOP mode current of I_{stp0} / I_{stp1} / I_{stp3} in the section of DC Characteristics.	8.3
6	Update the minimum “Supply Voltage” in the section of IHRCO Characteristics, ILRCO Characteristics.	8.7 8.8
7	Update ILRCO Frequency Deviation and change “factory not calibrated” to “factory calibrated” in the section of ILRCO Characteristics.	8.8
8	Update the minimum “Supply Voltage”, “Flash Write (Erase/Program) Voltage” and “Flash Erase/Program Cycle” in the section of Flash Characteristics.	8.10
Revision V1.31 (2018_0627)		Chapter
1	Change chip power supply range from “2.0V to 5.5V” to “1.8V to 5.5V”	7.1
2	Update the capacitor value in the table of “Table 7-1. Reference Capacitance of C1 & C2 for crystal oscillating circuit”	7.3
Revision V1.30 (2018_0504)		Chapter
1	Support QEI mode in Timer chapter.	6.19

MG32F02A132/072

2	Support hardware master mode failure detection in SPI chapter.	6.22
3	Change Min. operation voltage from 2.0 to 1.8 volt for CPU Operating Speed 0–12MHz	8.3
4	Change UART Serial Port Clock Frequency Max. value from 12MHz to 6MHz.	8.15
5	Change f_{MCK} Max. value from 36MHz to 12MHz and f_{SCK} Max. value from 18MHz to 6MHz.	8.16
Revision V1.20 (2018_0110)		Chapter
1	Change chip name from MG92G8A132/072 to Mg32F02A132/072.	
2	Update descriptions of Features in chapter of GPIO, Timer	
3	Update the figure of “Figure 10-1. Order Information” in Order Information chapter	2
4	Update LQFP80/64/48 package pin out diagrams in “Pin Outline” section	4.1
5	Update new format package dimension information in Package Dimension chapter	9
Revision V1.1 (2017_1229)		Chapter
1	Modify document to new format.	

11. Disclaimers

Herein, megawin stands for "*Megawin Technology Co., Ltd.*"

Life Support — This product is not designed for use in medical, life-saving or life-sustaining applications, or systems where malfunction of this product can reasonably be expected to result in personal injury. Customers using or selling this product for use in such applications do so at their own risk and agree to fully indemnify Megawin for any damages resulting from such improper use or sale.

Right to Make Changes — Megawin reserves the right to make changes in the products - including circuits, standard cells, and/or software - described or contained herein in order to improve design and/or performance. When the product is in mass production, relevant changes will be communicated via an Engineering Change Notification (ECN).