

Dual 1.5MHz, 1A Synchronous Step-Down Converter

Features

- 1A Output Current on Each Channel
- 2.7V to 5.5V Input Voltage Range
- 1.5MHz Constant Frequency Operation
- Low Dropout Operation at 100% Duty Cycle
- Synchronous Topology
- 0.6V Low Reference Voltage
- Current Mode Operation
- Over-Temperature Protection
- Over-Current Protection
- Up to 94% Efficiency
- Internally Compensated
- Lead Free and Green Devices Available (RoHS Compliant)

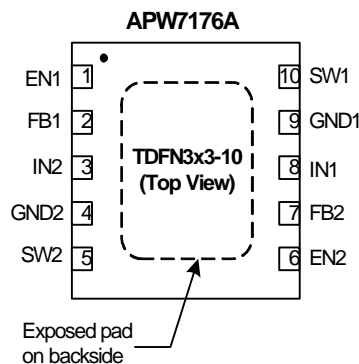
Applications

- TV Tuner/Box
- Portable Instrument

General Description

The APW7176A consists of two independent 1.5MHz constant frequency, current mode, and PWM step-down converters. Each converter integrates a main switch with a synchronous rectifier for high efficiency without an external Schottky diode. The APW7176A is ideal for powering portable equipment that runs from a single cell Lithium-Ion (Li+) battery. Each converter can supply 1A of load current from a 2.7V to 5.5V input voltage. The output voltage can be regulated as low as 0.6V. The APW7176A can also run at 100% duty cycle for low dropout applications.

Pin Configuration



Ordering and Marking Information

<p>APW7176A □□□-□□□</p> <div style="display: flex; align-items: center;"> <div style="border-left: 1px solid black; border-bottom: 1px solid black; width: 10px; height: 10px; margin-right: 5px;"></div> <div style="border-left: 1px solid black; border-bottom: 1px solid black; width: 10px; height: 10px; margin-right: 5px;"></div> <div style="border-left: 1px solid black; border-bottom: 1px solid black; width: 10px; height: 10px; margin-right: 5px;"></div> <div style="border-left: 1px solid black; border-bottom: 1px solid black; width: 10px; height: 10px;"></div> </div> <ul style="list-style-type: none"> Assembly Material Handling Code Temperature Range Package Code 	<p>Package Code QB : TDFN3x3-10</p> <p>Temperature Range I : -40 to 85 °C</p> <p>Handling Code TR : Tape & Reel</p> <p>Assembly Material G : Halogen and Lead Free Device</p>
<p>APW7176A QB: APW 7176A XXXXX</p>	<p>XXXXX - Date Code</p>

Note: ANPEC lead-free products contain molding compounds/die attach materials and 100% matte tin plate termination finish; which are fully compliant with RoHS. ANPEC lead-free products meet or exceed the lead-free requirements of IPC/JEDEC J-STD-020D for MSL classification at lead-free peak reflow temperature. ANPEC defines "Green" to mean lead-free (RoHS compliant) and halogen free (Br or Cl does not exceed 900ppm by weight in homogeneous material and total of Br and Cl does not exceed 1500ppm by weight).

ANPEC reserves the right to make changes to improve reliability or manufacturability without notice, and advise customers to obtain the latest version of relevant information to verify before placing orders.

Absolute Maximum Ratings (Note 1)

Symbol	Parameter	Rating	Unit
$V_{IN1/IN2}$	Input Supply Voltage (IN1/IN2 to GND1/GND2)	-0.3 ~ 6	V
$V_{FB1/FB2}$	Voltage on FB1 and FB2 (FB1/FB2 to GND1/GND2)	-0.3 ~ $V_{IN1/IN2}+0.3$	V
$V_{EN1/EN2}$	Voltage on EN1 and EN2 (EN1/EN2 to GND1/GND2)	-0.3 ~ $V_{IN1/IN2}+0.3$	V
$V_{SW1/SW2}$	Voltage on SW1 and SW2 (SW1/SW2 to GND1/GND2)	-0.3 ~ $V_{IN1/IN2}+0.3$	V
I_{SW_PEAK}	Peak SW Current	1.8	A
P_D	Maximum Power Dissipation ($T_A=25^{\circ}\text{C}$)	2	W
T_J	Maximum Junction Temperature	150	$^{\circ}\text{C}$
T_{STG}	Storage Temperature Range	-65 ~ 150	$^{\circ}\text{C}$
T_{SDR}	Maximum Lead Soldering Temperature, 10 Seconds	260	$^{\circ}\text{C}$

Note1: Stresses beyond those listed under "absolute maximum ratings" may cause permanent damage to the device. These are stress ratings only and functional operation of the device at these or any other conditions beyond those indicated under "recommended operating conditions" is not implied. Exposure to absolute maximum rating conditions for extended periods may affect device reliability.

Thermal Characteristics

Symbol	Parameter	Typical Value	Unit
θ_{JA}	Junction-to-Ambient Resistance in Free Air ^(Note 2) TDFN3x3-10	50	$^{\circ}\text{C}/\text{W}$
θ_{JC}	Junction-to-Case Resistance in Free Air TDFN3x3-10	12	

Note 2: θ_{JA} is measured on with the device mounted the PCB with top-layer pad of approximate 1" square of 1 oz copper.

Recommended Operating Conditions

Symbol	Parameter	Range	Unit
$V_{IN1/IN2}$	Input Supply Voltage (IN1/IN2 to GND1/GND2)	2.7 ~ 5.5	V
R2/R4	Feedback Resistance ^(Note 3)	~ 300	k Ω
I_{OUT}	Output Current	0 ~ 1	A
T_A	Operating Ambient Temperature	-40 ~ 85	$^{\circ}\text{C}$
T_J	Operating Junction Temperature	-40 ~ 125	$^{\circ}\text{C}$

Note 3: Please refer to the typical application circuit.

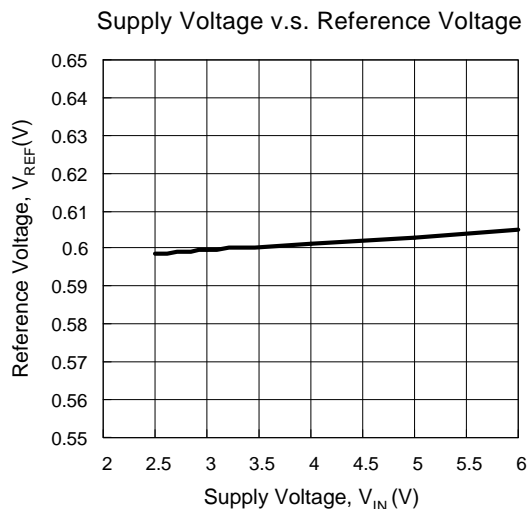
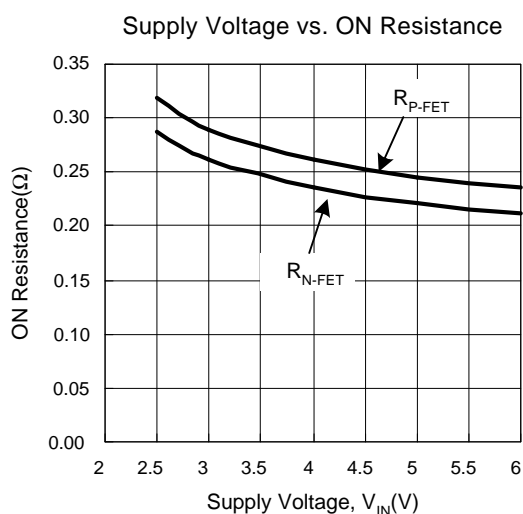
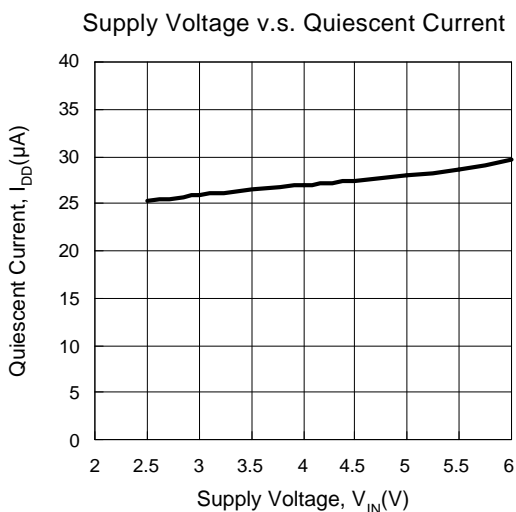
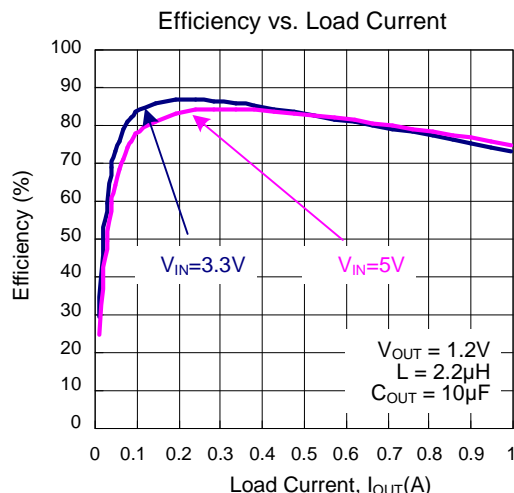
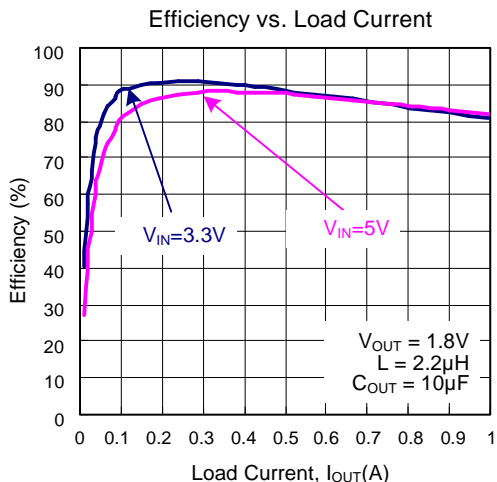
Electrical Characteristics

The denotes the specifications that apply over $V_{IN}=3.6V$ and $T_A=25^{\circ}C$, unless otherwise specifications.

Symbol	Parameter	Test Conditions	APW7176A			Unit
			Min.	Typ.	Max.	
$V_{IN1/IN2}$	Each Converter Input Voltage Range		2.7	-	5.5	V
$I_{FB1/FB2}$	FB1/FB2 Input Current	$V_{FB1/FB2}=0.6V$	-30	-	30	nA
$V_{REF1/REF2}$	Each Converter Reference Voltage	$I_{OUT}=0mA\sim 1A$	0.588	0.6	0.612	V
$\Delta V_{REF1/REF2}$	Each Converter Reference Voltage Line Regulation	$-40^{\circ}C \leq T_A \leq 85^{\circ}C$	-	0.04	-	%/V
I_{PK}	Each Converter Peak Inductor Current	$V_{IN1/IN2}=3.3V$, $V_{FB}=0.5V$ or $V_{OUT}=90\%$, Duty cycle < 35%	1.4	1.6	-	A
	Each Converter Load Regulation	$I_{OUT}=10mA\sim 1A$	-	0.5	-	%
I_{DD}	Each Converter Switching Current	$V_{FB1/FB2}=0.6V$, SW1/SW2 Floating	-	2	-	mA
I_{SD}	Each Converter Quiescent Current in Shutdown	$V_{EN1/EN2}=0V$, $V_{IN}=4.2V$	-	-	1	μA
f_{OSC}	Each Converter Oscillator Frequency	$V_{FB}=0.6V$	1.2	1.5	1.8	MHz
f_{OSC_FFB}	Each Converter Frequency Foldback	$V_{FB}=0V$	-	210	-	kHz
R_{DS-P}	Each Converter On Resistance of PMOSFET	$I_{SW}=100mA$	-	0.28	-	Ω
R_{DS-N}	Each Converter On Resistance of NMOSFET	$I_{SW}=-100mA$	-	0.25	-	Ω
$V_{EN1/EN2}$	Each Converter Enable Threshold		0.4	-	1	V
T_{OTP}	Thermal Shutdown Threshold		-	150	-	$^{\circ}C$
	Thermal Shutdown Hysteresis		-	50	-	$^{\circ}C$

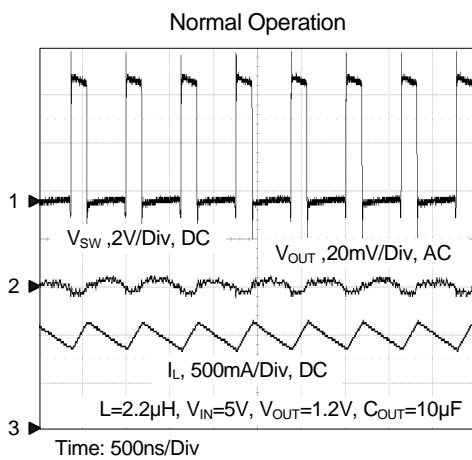
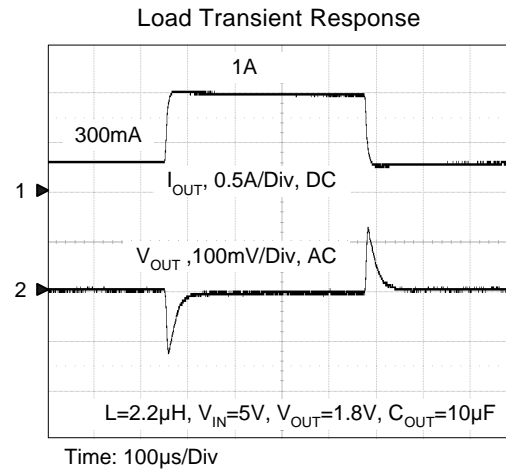
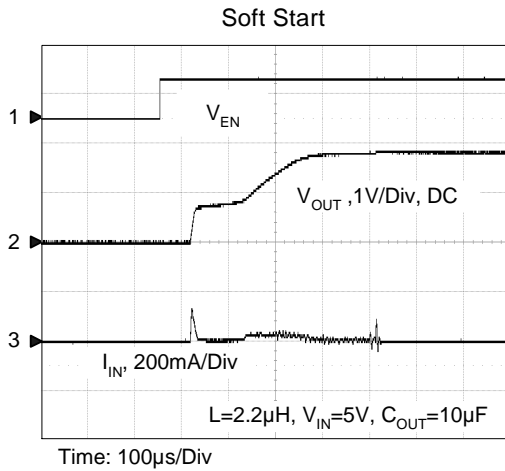
Typical Operating Characteristics

(Refer to the application circuit in the section “Typical Application Circuits”, $V_{IN}=3.6V$, $V_{OUT}=1.8V$, $T_A=25^\circ C$ unless otherwise specified)



Operating Waveforms

(Refer to the application circuit in the section "Typical Application Circuits", $V_{IN}=3.6V$, $V_{OUT}=1.8V$, $T_A=25^\circ C$ unless otherwise specified)



Pin Description

PIN		FUNCTION
NO.	NAME	
1	EN1	Channel 1 Enable Control Input. Drive EN1 above 1V to turn on the Channel 1. Drive EN1 below 0.4V to turn it off. In shutdown situation, all functions are disabled to decrease the supply current below 1μA. Don't left this pin floating.
2	FB1	Channel 1 Feedback Input. Connect FB1 to the center point of the external resistor divider. The feedback voltage is 0.6V.
3	IN2	Channel 2 Supply Input. Bypass to the GND2 with a 4.7μF or greater ceramic capacitor.
4	GND2	Ground 2. Connected the exposed pad to the GND2.
5	SW2	Channel 2 Power Switch Output. Inductor connection to drains of the internal PMOSFET and NMOSFET switches.
6	EN2	Channel 2 Enable Control Input. Drive EN2 above 1V to turn on the Channel 2. Drive EN2 below 0.4V to turn it off. In shutdown situation, all functions are disabled to decrease the supply current below 1μA. Don't left this pin floating.
7	FB2	Channel 2 Feedback Input. Connect FB2 to the center point of the external resistor divider. The feedback voltage is 0.6V.
8	IN1	Channel 1 Supply Input. Bypass to the GND1 with a 4.7μF or greater ceramic capacitor.
9	GND1	Ground 1. Connected the exposed pad to the GND1.
10	SW1	Channel 1 Power Switch Output. Inductor connection to drains of the internal PMOSFET and NMOSFET switches.
Exposed Pad	NC	No Internal Connection. Connecting this pad to GND1 and GND2.

Block Diagram

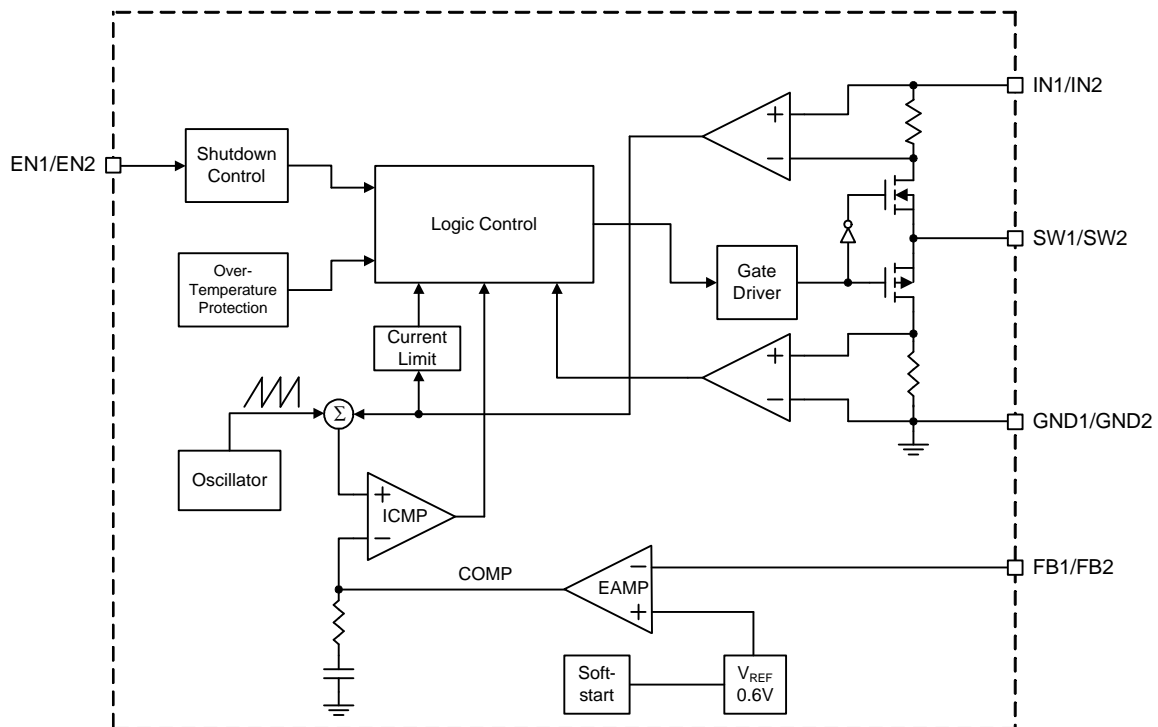
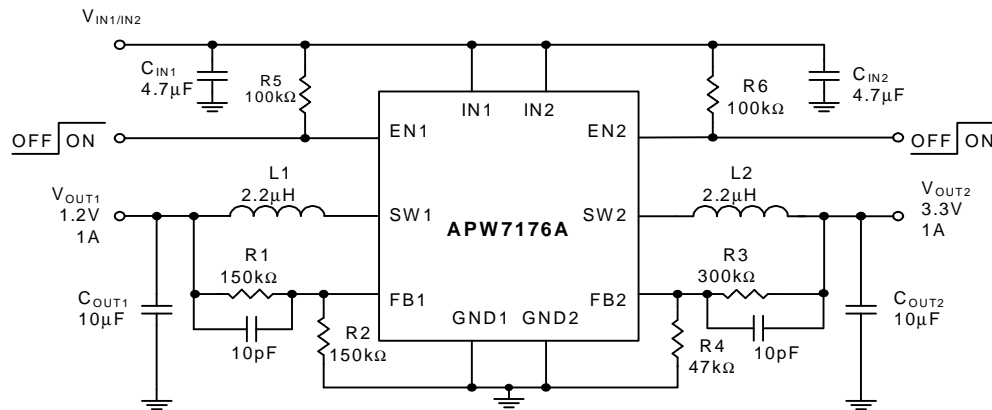


Diagram Represents 1/2 of the APW7176A

Typical Application Circuit



Function Description

Main Control Loop

The APW7176A has dual independent constant frequency, current-mode PWM step-down converters. During normal operation, the internal P-channel power MOSFET is turned on each cycle when the oscillator sets an internal RS latch and is turned off when an internal comparator (ICMP) resets the latch. The peak inductor current at which ICMP resets the RS latch is controlled by the voltage on the COMP, which is the output of the error amplifier (EAMP). An external resistive divider connected between V_{OUT} and ground allows the EAMP to receive an output feedback voltage V_{FB} at FB pin. When the load current increases, it causes a slightly decrease in V_{FB} associated with the 0.6V reference, which in turn causes the COMP voltage to increase until the average inductor current matches the new load current.

Soft-Start

Each channel in the APW7176A has a built-in soft-start to control the output voltage rise during start-up. During soft-start, an internal ramp, connected to the one of the positive inputs of the error amplifier, raise up to replace the reference voltage (0.6V typical) until the ramp voltage reaches the reference voltage.

Short Circuit Protection

For each channel, when the output is shortened to the ground, the frequency of the oscillator will be reduced to 210kHz. This lower frequency allows the inductor current to safely discharge, thereby preventing current runaway. The oscillator's frequency will gradually increase to its designed rate when the feedback voltage on the FB again approaches 0.6V.

Over-Temperature Protection (OTP)

For each channel, the over-temperature circuit limits the junction temperature of the APW7176A. When the junction temperature exceeds 150°C, a thermal sensor turns off the power MOSFETs, allowing the channels to cool down. The thermal sensor allows the converter to start a soft-start process and to regulate the output voltage again after the junction temperature cools by 40°C. The OTP is designed with a 40°C hysteresis to lower the average

Junction Temperature (T_J) during continuous thermal overload conditions, increasing the lifetime of the device.

Enable/Shutdown

For each channel, driving EN to the ground places the channel in shutdown mode. When in shutdown, the internal power MOSFETs are turned off, all internal circuitry shuts down, and the quiescent supply current reduces to 1 μ A maximally.

Application Information

Inductor Selection

Due to the high switching frequency as 1.5MHz, the inductor value of the application of the APW7176A is usually in the range from 1μH to 4.7μH. The criterion of selecting a suitable inductor depends on its maximum current ripple. The maximum current ripple defines as 40% of the fully load current. In the APW7176A applications, the maximum value of current ripple is 400mA, the 40% of 1A. Calculate L by the equation (1):

$$L = \frac{(V_{IN} - V_{OUT}) \cdot V_{OUT}}{V_{IN}} \cdot \frac{1}{\Delta I_L \cdot f_{osc}} \dots\dots\dots(1)$$

where f_{osc} is the switching frequency of APW7176A and ΔI_L is the value of the maximum current ripple. It can be any value of current ripple that smaller than the maximum value you can accept. In order to perform high efficiency, selecting a low DC resistance inductor is a helpful way. Another important parameter is the DC current rating of the inductor. The minimum value of DC current rating equals the full load value of 1A, and then plus the half of the current ripple. Choose inductors with suitable DC current rating to ensure the inductors don't operate in the saturation.

Input Capacitor Selection

The input capacitor must be able to support the maximum input operating voltage and maximum RMS input current. The Buck converter absorbs pulse current from input power source.

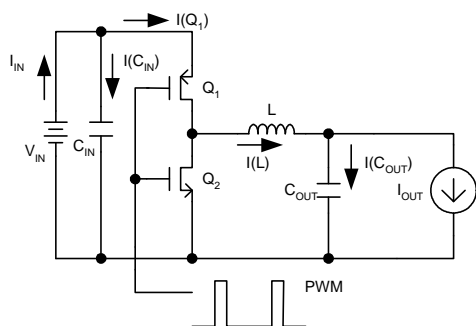


Figure-1

Figure-1 shows a schematic of a Buck converter. The waveforms are shown as Figure-2.

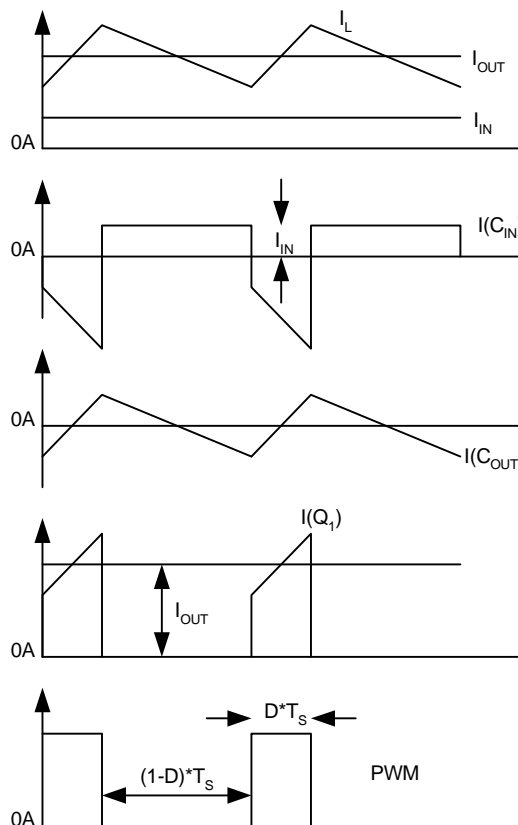


Figure-2

By observing the waveform of $I(C_{IN})$, the RMS value of $I(C_{IN})$ is

$$I(C_{IN}) = \sqrt{[(I_{OUT} - I_{IN})^2 \cdot \sqrt{D}]^2 + [I_{IN} \cdot \sqrt{1-D}]^2} \dots\dots(2)$$

Replace D and I_{IN} by following relation:

$$D = \frac{V_{OUT}}{V_{IN}} \dots\dots\dots(3)$$

$$I_{IN} = D \cdot I_{OUT} \dots\dots\dots(4)$$

The RMS value of input capacitor current equal:

$$I(C_{IN}) = I_{OUT} \cdot \sqrt{D(1-D)} \dots\dots\dots(5)$$

When $D=0.5$, the RMS current of input capacitor will be maximum value. Use this value to choose the input capacitor with suitable current rating.

Application Information (Cont.)

Output Capacitor Selection

The output voltage ripple is a significant parameter to estimate the performance of a converter. There are two discrete components that affect the output voltage ripple to be bigger or smaller. It is recommended to use the criterion mentioned in the "Inductor Selection" to choose a suitable inductor. Then, based on this known inductor current ripple, the value and equivalent-series-resistance (ESR) of output capacitor will affect the output voltage ripple to be smaller or larger. The output voltage ripple consists of two portions, one is the product of ESR and inductor current ripple, the other portion is the function of the inductor current ripple and the output capacitance. Figure-3 illustrates the waveform of the ripple voltage which is generated when the inductor ripple current charges or discharges the pure capacitor without the ESR.

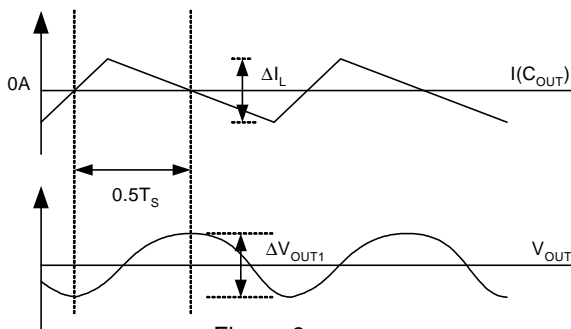


Figure-3

Evaluate the ΔV_{OUT1} by the ideal of energy equalization. According to the definition of Q,

$$Q = \frac{1}{2} \left(\frac{1}{2} \Delta I_L \cdot \frac{1}{2} T_s \right) = C_{OUT} \cdot \Delta V_{OUT1} \dots (6)$$

where T_s is the inverse of switching frequency and the ΔI_L is the inductor current ripple. Move the C_{OUT} to the left side to estimate the value of ΔV_{OUT1} as equation (7).

$$\Delta V_{OUT1} = \frac{\Delta I_L \cdot T_s}{8 \cdot C_{OUT}} \dots (7)$$

As mentioned above, one part of output voltage ripple is the product of the inductor current ripple and ESR of output capacitor. The equation (8) explains the output voltage ripple estimation.

$$\Delta V_{OUT} = \Delta I_L \cdot \left(ESR + \frac{T_s}{8 \cdot C_{OUT}} \right) \dots (8)$$

Thermal Consideration

APW7176A is a high efficiency switching converter, it means less power loss transferred into heat. Due to the on resistance difference between internal power PMOSFET and NMOSFET, the power dissipation at high duty cycle is greater than the low duty cycle. The worst case in the dropout operation is the conduction loss dissipate mainly on the internal power PMOSFET. The power dissipation is nearly defined as:

$$P_D = (I_{OUT})^2 [R_{DS-P} \cdot D + R_{DS-N} \cdot (1-D)] \dots (9)$$

The APW7176A provides internal over-temperature protection. When the junction temperature reaches 150 degrees centigrade, the APW7176 will turn off both internal power PMOSFET and NMOSFET. The estimation of the junction temperature, T_J , is defined as:

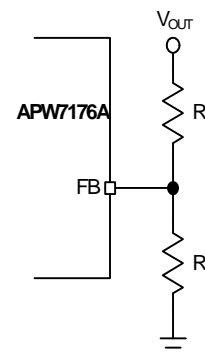
$$T_J = P_D \cdot \theta_{JA} \dots (10)$$

where the θ_{JA} is the thermal resistance of the package utilized by the APW7176A.

Output Voltage Setting

Then APW7176A has the adjustable version for output voltage setting by the users. A suggestion of maximum value of R_2 is 300k Ω to keep the minimum current that provides enough noise rejection ability through the resistor divider. The output voltage is programmed by the equation as below:

$$V_{OUT} = 0.6 \cdot \left(1 + \frac{R_1}{R_2} \right) \dots (11)$$



Application Information (Cont.)

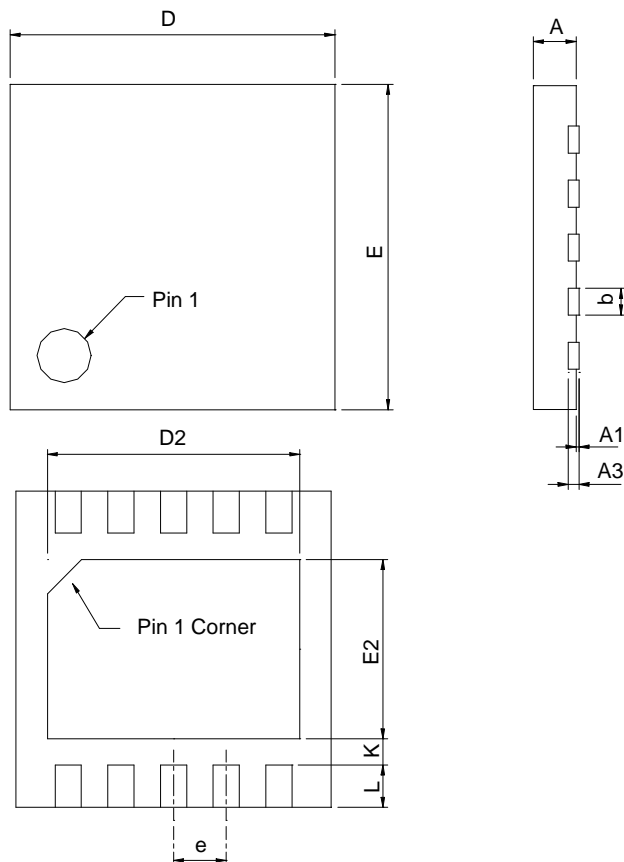
Layout Consideration

For all switching power supplies, the layout is an important step in the design; especially at high peak currents and switching frequencies. If the layout is not carefully done, the regulator might show noise problems and duty cycle jitter.

1. The input capacitor should be placed close to the VIN and the GND. Connecting the capacitor and VIN/GND with short and wide trace without any via holes for good input voltage filtering.
2. The high current paths (GND1/GND2, IN1/IN2, and SW1/SW2) should be placed very close to the device with short, direct and wide traces.
3. To minimize copper trace connections that can inject noise into the system, the inductor should be placed as close as possible to the SW pin to minimize the noise coupling into other circuits.
4. Since the feedback pin and network is a high impedance circuit, the feedback network should be routed away from the inductor. The feedback pin and feedback network should be shielded with a ground plane or trace to minimize noise coupling into this circuit.
5. A star ground connection or ground plane minimizes ground shifts and noise is recommended.

Package Information

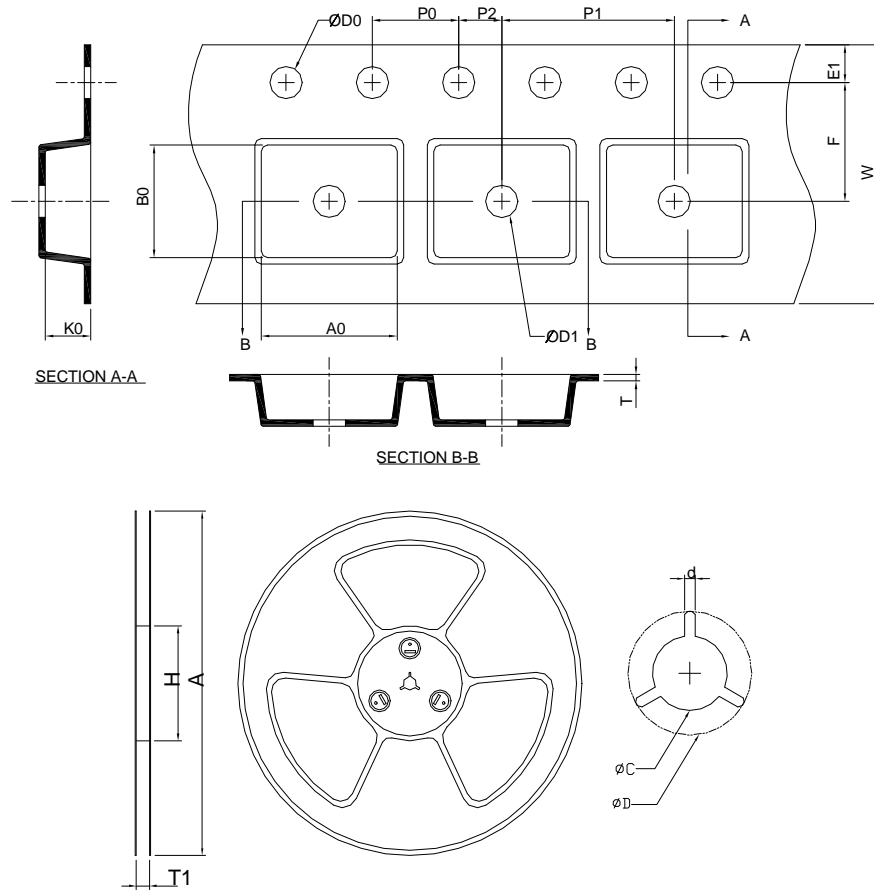
TDFN3x3-10



SYMBOL	TDFN3x3-10			
	MILLIMETERS		INCHES	
	MIN.	MAX.	MIN.	MAX.
A	0.70	0.80	0.028	0.031
A1	0.00	0.05	0.000	0.002
A3	0.20 REF		0.008 REF	
b	0.18	0.30	0.007	0.012
D	2.90	3.10	0.114	0.122
D2	2.20	2.70	0.087	0.106
E	2.90	3.10	0.114	0.122
E2	1.40	1.75	0.055	0.069
e	0.50 BSC		0.020 BSC	
L	0.30	0.50	0.012	0.020
K	0.20		0.008	

Note : 1. Followed from JEDEC MO-229 VEED-5.

Carrier Tape & Reel Dimensions



Application	A	H	T1	C	d	D	W	E1	F
TDFN3x3-10	330 ±0.00	50 MIN.	12.4+2.00 -0.00	13.0+0.50 -0.20	1.5 MIN.	20.2 MIN.	12.0 ±0.30	1.75 ±0.10	5.5 ±0.05
	P0	P1	P2	D0	D1	T	A0	B0	K0
	4.0 ±0.10	8.0 ±0.10	2.0 ±0.05	1.5+0.10 -0.00	1.5 MIN.	0.6+0.00 -0.40	3.30 ±0.20	3.30 ±0.20	1.30 ±0.20

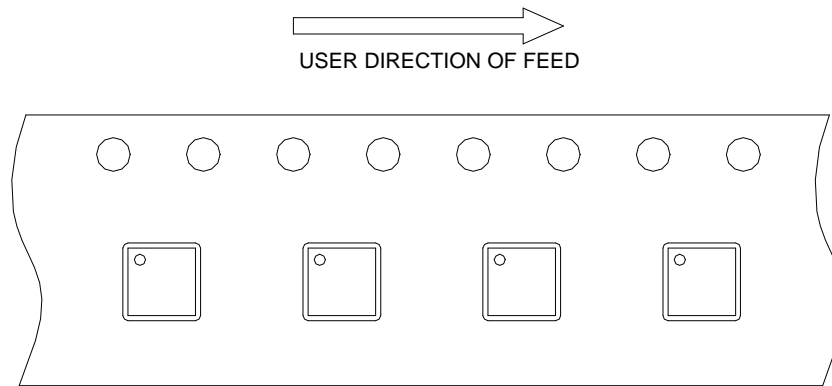
(mm)

Devices Per Unit

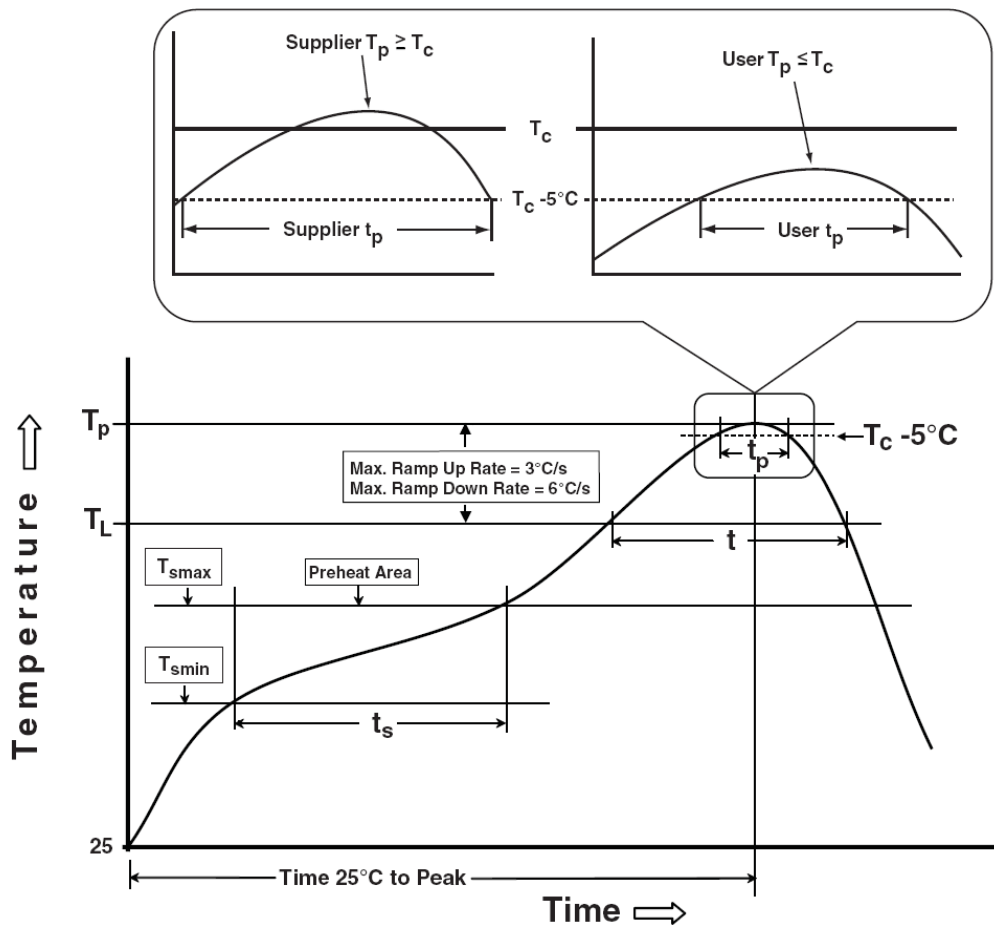
Package Type	Unit	Quantity
TDFN3x3-10	Tape & Reel	3000

Taping Direction Information

TDFN3x3-10



Classification Profile



Classification Reflow Profiles

Profile Feature	Sn-Pb Eutectic Assembly	Pb-Free Assembly
Preheat & Soak		
Temperature min (T_{smin})	100 °C	150 °C
Temperature max (T_{smax})	150 °C	200 °C
Time (T_{smin} to T_{smax}) (t_s)	60-120 seconds	60-120 seconds
Average ramp-up rate (T_{smax} to T_p)	3 °C/second max.	3°C/second max.
Liquidous temperature (T_L)	183 °C	217 °C
Time at liquidous (t_L)	60-150 seconds	60-150 seconds
Peak package body Temperature (T_p)*	See Classification Temp in table 1	See Classification Temp in table 2
Time (t_p)** within 5°C of the specified classification temperature (T_c)	20** seconds	30** seconds
Average ramp-down rate (T_p to T_{smax})	6 °C/second max.	6 °C/second max.
Time 25°C to peak temperature	6 minutes max.	8 minutes max.
* Tolerance for peak profile Temperature (T_p) is defined as a supplier minimum and a user maximum.		
** Tolerance for time at peak profile temperature (t_p) is defined as a supplier minimum and a user maximum.		

Table 1. SnPb Eutectic Process – Classification Temperatures (T_c)

Package Thickness	Volume mm ³ <350	Volume mm ³ ≥350
<2.5 mm	235 °C	220 °C
≥2.5 mm	220 °C	220 °C

Table 2. Pb-free Process – Classification Temperatures (T_c)

Package Thickness	Volume mm ³ <350	Volume mm ³ 350-2000	Volume mm ³ >2000
<1.6 mm	260 °C	260 °C	260 °C
1.6 mm – 2.5 mm	260 °C	250 °C	245 °C
≥2.5 mm	250 °C	245 °C	245 °C

Reliability Test Program

Test item	Method	Description
SOLDERABILITY	JESD-22, B102	5 Sec, 245°C
HOLT	JESD-22, A108	1000 Hrs, Bias @ $T_j=125^\circ\text{C}$
PCT	JESD-22, A102	168 Hrs, 100%RH, 2atm, 121°C
TCT	JESD-22, A104	500 Cycles, -65°C~150°C
HBM	MIL-STD-883-3015.7	VHBM 2KV
MM	JESD-22, A115	VMM 200V
Latch-Up	JESD 78	10ms, 1 _{tr} 100mA

Customer Service

Anpec Electronics Corp.

Head Office :

No.6, Dusing 1st Road, SBIP,

Hsin-Chu, Taiwan, R.O.C.

Tel : 886-3-5642000

Fax : 886-3-5642050

Taipei Branch :

2F, No. 11, Lane 218, Sec 2 Jhongsing Rd.,

Sindian City, Taipei County 23146, Taiwan

Tel : 886-2-2910-3838

Fax : 886-2-2917-3838