

## 3A 24V 340kHz synchronous Buck Converter

### Features

- **Wide Input Voltage from 4.5V to 24V**
- **3A Continuous Output Current**
- **Adjustable Output Voltage from 0.92V to 20V**
- **Intergrated N-MOSFET**
- **Fixed 340kHz Switching Frequency**
- **Stable with Low ESR Ceramic Output Capacitors**
- **Power-On-Reset Detection**
- **Programmable Soft-Start**
- **Over-Temperature Protection**
- **Current-Limit Protection with Frequency Foldback**
- **Enable/Shutdown Function**
- **Small SOP-8P Packages**
- **Lead Free and Green Devices Available (RoHS Compliant)**

### Applications

- **LCD Monitor/TV**
- **Set-Top Box**
- **DSL, Switch HUB**
- **Notebook Computer**

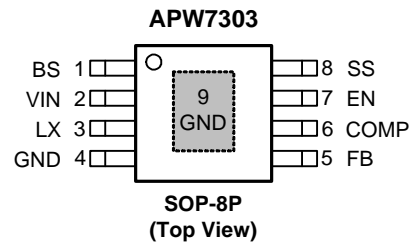
### General Description

APW7303 is a 3A synchronous buck converter with integrated power MOSFETs. The APW7303 design with a current-mode control scheme, can convert wide input voltage of 4.5V to 24V to the output voltage adjustable from 0.92V to 20V to provide excellent output voltage regulation.

The APW7303 is also equipped with Power-on-reset, soft-start, and whole protections (over-temperature, and current-limit) into a single package.

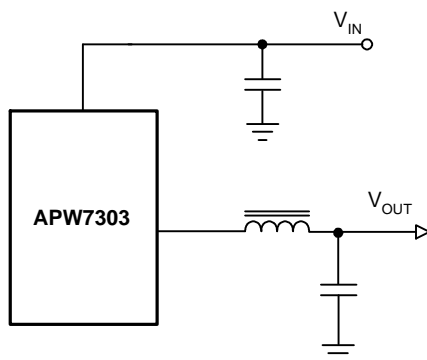
This device, available SOP-8P, provides a very compact system solution external components and PCB area.

### Pin Configuration



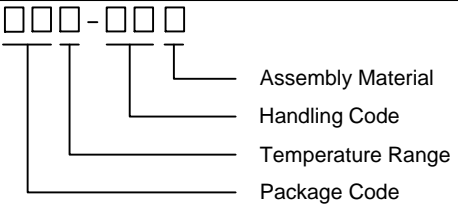
**9** Exposed Pad  
The pin 4 must be connected to the pin 9 (Exposed Pad)

### Simplified Application Circuit



ANPEC reserves the right to make changes to improve reliability or manufacturability without notice, and advise customers to obtain the latest version of relevant information to verify before placing orders.

## Ordering and Marking Information

<p>APW7303 <span style="font-family: monospace;">□□□□-□□□□</span></p>  <p>Assembly Material Handling Code Temperature Range Package Code</p>	<p>Package Code KA : SOP-8P Temperature Range I : -40 to 85 °C Handling Code TR : Tape &amp; Reel Assembly Material G : Halogen and Lead Free Device</p>
<p>APW7303 KA : <span style="border: 1px solid black; padding: 2px;">APW7303 XXXXX</span></p>	<p>XXXXX - Date Code</p>

Note: ANPEC lead-free products contain molding compounds/die attach materials and 100% matte tin plate termination finish; which are fully compliant with RoHS. ANPEC lead-free products meet or exceed the lead-free requirements of IPC/JEDEC J-STD-020D for MSL classification at lead-free peak reflow temperature. ANPEC defines “Green” to mean lead-free (RoHS compliant) and halogen free (Br or Cl does not exceed 900ppm by weight in homogeneous material and total of Br and Cl does not exceed 1500ppm by weight).

## Absolute Maximum Ratings (Note 1)

Symbol	Parameter	Rating	Unit
$V_{IN}$	VIN Supply Voltage (VIN to GND)	-0.3 ~ 30	V
$V_{LX}$	LX to GND Voltage	-1 ~ $V_{IN}+0.3$	V
	EN, FB, COMP, SS to GND Voltage	-0.3 ~ 6	V
$V_{BS}$	BS to GND Voltage	$V_{LX}-0.3 \sim V_{LX}+6$	V
$P_D$	Power Dissipation	Internally Limited	W
$T_J$	Junction Temperature	150	°C
$T_{STG}$	Storage Temperature	-65 ~ 150	°C
$T_{SDR}$	Maximum Lead Soldering Temperature, 10 Seconds	260	°C

Note1: Stresses beyond those listed under "absolute maximum ratings" may cause permanent damage to the device. These are stress ratings only and functional operation of the device at these or any other conditions beyond those indicated under "recommended operating conditions" is not implied. Exposure to absolute maximum rating conditions for extended periods may affect device reliability

## Thermal Characteristics

Symbol	Parameter	Typical Value	Unit
$\theta_{JA}$	Junction-to-Ambient Resistance in Free Air <sup>(Note 2)</sup>	75	°C/W
	SOP-8P		
$\theta_{JC}$	Junction-to-Case Resistance in Free Air <sup>(Note 3)</sup>	15	°C/W
	SOP-8P		

Note 2:  $\theta_{JA}$  is measured with the component mounted on a high effective thermal conductivity test board in free air. The exposed pad is soldered directly on the PCB.

Note 3: The case temperature is measured at the center of the exposed pad on the underside of the SOP-8P package.

## Recommended Operating Conditions (Note 4)

Symbol	Parameter	Range	Unit
$V_{IN}$	VIN Supply Voltage	4.5 ~ 24	V
$V_{OUT}$	Converter Output Voltage	0.92~20	V
$I_{OUT}$	Converter Output Current	0~3	A

## Recommended Operating Conditions (Cont.) (Note 4)

Symbol	Parameter	Range	Unit
T <sub>A</sub>	Ambient Temperature	-40 ~ 85	°C
T <sub>J</sub>	Junction Temperature	-40 ~ 125	°C

Note 4 : Refer to the typical application circuit.

## Electrical Characteristics

Refer to the typical application circuits. These specifications apply over V<sub>IN</sub>=12V, and T<sub>A</sub>=25°C, unless otherwise specified.

Symbol	Parameter	Test Conditions	APW7303			Unit
			Min.	Typ.	Max.	
<b>SUPPLY CURRENT</b>						
I <sub>VIN</sub>	VIN Supply Current	V <sub>FB</sub> =1V, V <sub>EN</sub> =3V, LX=NC	-	1.9	-	mA
I <sub>VIN_SD</sub>	VIN Shutdown Supply Current	V <sub>EN</sub> =0V	-	20	40	μA
<b>POWER-ON-RESET (POR)</b>						
	VIN POR Voltage Threshold	V <sub>IN</sub> Rising	3.9	4.1	4.3	V
	VIN POR Hysteresis		-	0.5	-	V
<b>REFERENCE VOLTAGE</b>						
V <sub>REF</sub>	Reference Voltage	Regulated on FB pin	0.9	0.92	0.94	V
<b>OSCILLATOR AND DUTY CYCLE</b>						
F <sub>OSC</sub>	Oscillator Frequency		300	340	380	kHz
	Foldback Frequency	V <sub>FB</sub> =0V	-	110	-	kHz
	Maximum Converter's Duty	V <sub>FB</sub> =0.92V	-	90	-	%
	Minimum On Time	(Note 5)	-	220	-	ns
<b>POWER MOSFET</b>						
	High/Low Side MOSFET On Resistance	I <sub>OUT</sub> =3A	-	85	-	mΩ
	High/Low Side MOSFET Leakage Current	V <sub>EN</sub> =0V, V <sub>LX</sub> =0V	-	-	10	μA
<b>CURRENT-MODE PWM CONVERTER</b>						
G <sub>EA</sub>	Error Amplifier Transconductance		-	820	-	μA/V
A <sub>VEA</sub>	Error Amplifier Voltage Gain	COMP=NC (Note 5)	-	400	-	V/V
G <sub>CS</sub>	Switch Current to COMP Voltage Transresistance	(Note 5)	-	5.2	-	A/V
<b>PROTECTIONS</b>						
I <sub>LIM</sub>	High Side MOSFET Current-Limit	Peak Current	-	5.3	6.5	A
	Low Side MOSFET Current-Limit	From Drain to Source	-	1	-	A
T <sub>OTP</sub>	Over-Temperature Trip Point	(Note 5)	-	160	-	°C
	Over-Temperature Hysteresis	(Note 5)	-	50	-	°C

## Electrical Characteristics (Cont.)

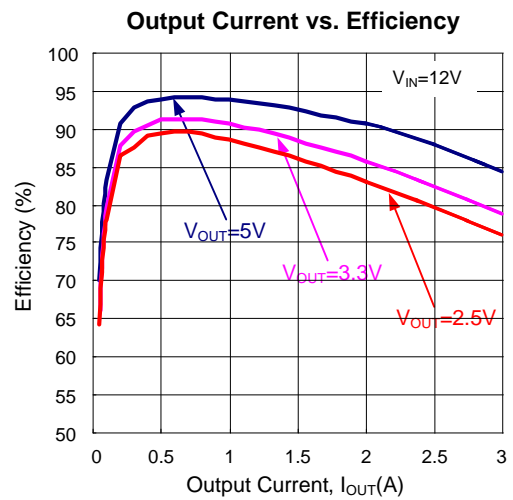
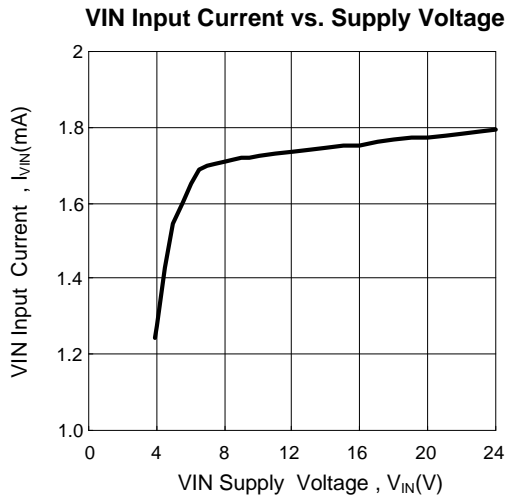
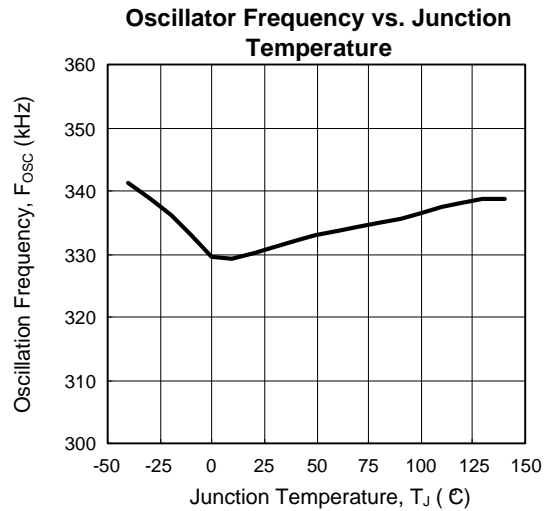
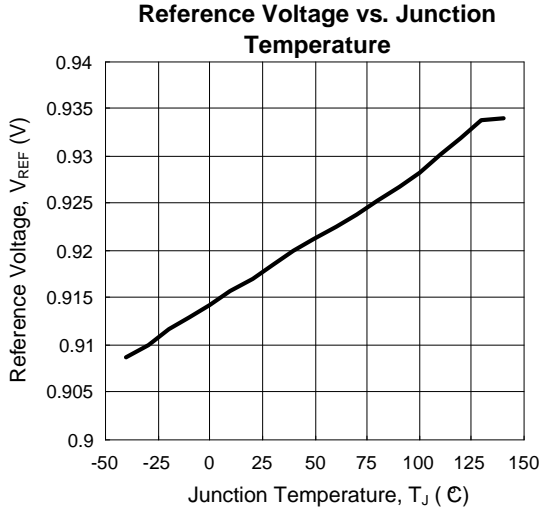
Refer to the typical application circuits. These specifications apply over  $V_{IN}=12V$ , and  $T_A=25\text{ }^\circ\text{C}$ , unless otherwise specified.

Symbol	Parameter	Test Conditions	APW7303			Unit
			Min.	Typ.	Max.	
<b>SOFT-START, ENABLE AND INPUT CURRENTS</b>						
$I_{SS}$	Soft-Start Current		-	6	-	$\mu\text{A}$
	EN Enable Threshold Voltage	$V_{IN}=4.5\sim 24V$	0.4	-	2	V
	EN Under-Voltage Lockout (UVLO) Threshold	$V_{EN}$ rising	2.3	2.5	2.7	V
	EN UVLO Hysteresis		-	200	-	mV

Note 5: Gurantee by design.

## Typical Operating Characteristics

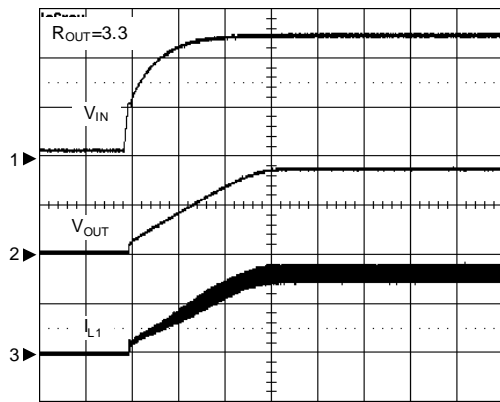
Refer to the "Typical Application Circuit" The test conditions are  $V_{IN}=12V$ ,  $V_{OUT}=3.3V$ ,  $L1=10\mu H$ ,  $C2=22\mu F$ ,  $T_A=25^\circ C$  unless otherwise specified.



## Operating Waveforms

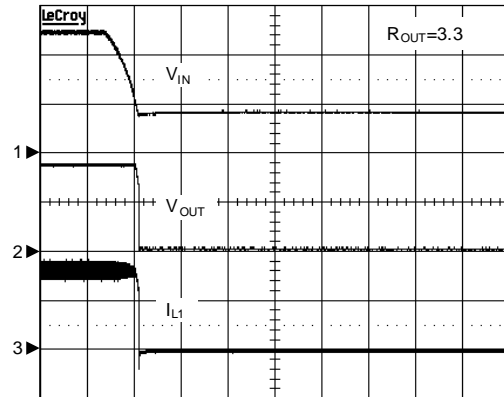
Refer to the "Typical Application Circuit" The test conditions are  $V_{IN}=12V$ ,  $V_{OUT}=3.3V$ ,  $L_1=10\mu H$ ,  $C_2=22\mu F$ ,  $T_A=25^\circ C$  unless otherwise specified.

**Power On**



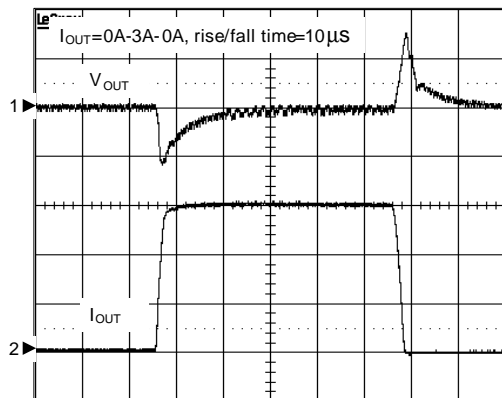
CH1:  $V_{IN}$ , 5V/Div, DC  
 CH2:  $V_{OUT}$ , 2V/Div, DC  
 CH3:  $I_{L1}$ , 2A/Div, DC

**Power Off**



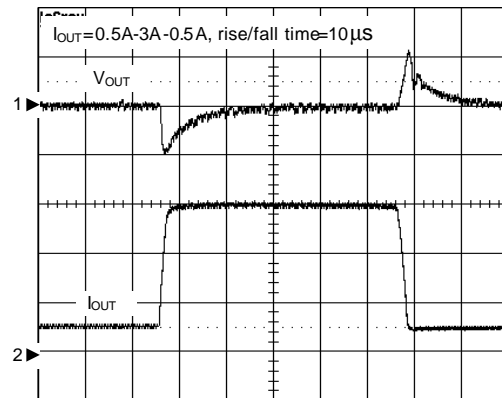
CH1:  $V_{IN}$ , 5V/Div, DC  
 CH2:  $V_{OUT}$ , 2V/Div, DC  
 CH3:  $I_{L1}$ , 2A/Div, DC  
 TIME: 5ms/Div

**Load Transient Response**



CH1:  $V_{OUT}$ , 200mV/Div, offset=3.3V  
 CH2:  $I_{L1}$ , 1A/Div, DC  
 TIME: 50µs/Div

**Load Transient Response**

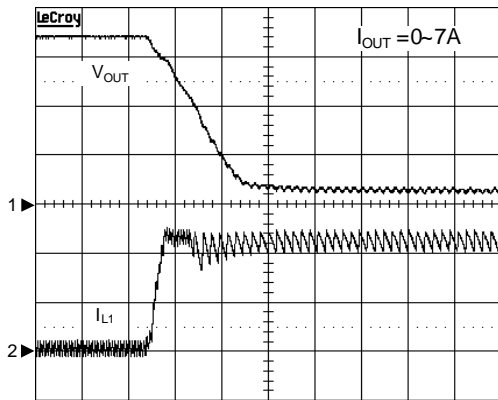


CH1:  $V_{OUT}$ , 200mV/Div, offset=3.3V  
 CH2:  $I_{L1}$ , 1A/Div, DC  
 TIME: 50µs/Div

## Operating Waveforms

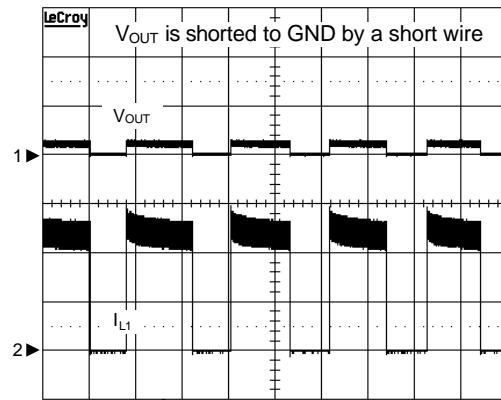
Refer to the "Typical Application Circuit" The test conditions are  $V_{IN}=12V$ ,  $V_{OUT}=3.3V$ ,  $L1=10\mu H$ ,  $C2=22\mu F$ ,  $T_A=25^\circ C$  unless otherwise specified.

Over Current



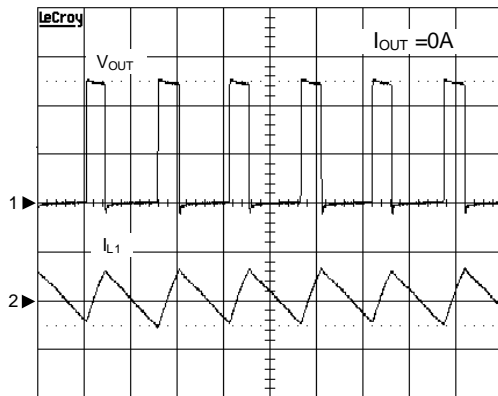
CH1:  $V_{OUT}$ , 1V/Div, DC  
 CH2:  $I_{L1}$ , 2A/Div, DC  
 TIME: 50 $\mu$ s/Div

Short Circuit



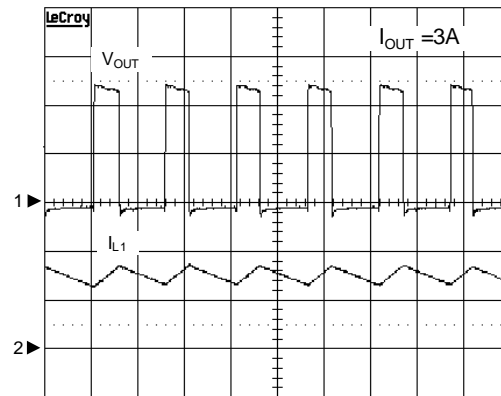
CH1:  $V_{OUT}$ , 1V/Div, DC  
 CH2:  $I_{L1}$ , 2A/Div, DC  
 TIME: 0.5s/Div

Switching Waveform



CH1:  $V_{OUT}$ , 5V/Div, DC  
 CH2:  $I_{L1}$ , 0.5A/Div, DC  
 TIME: 2 $\mu$ s/Div

Switching Waveform

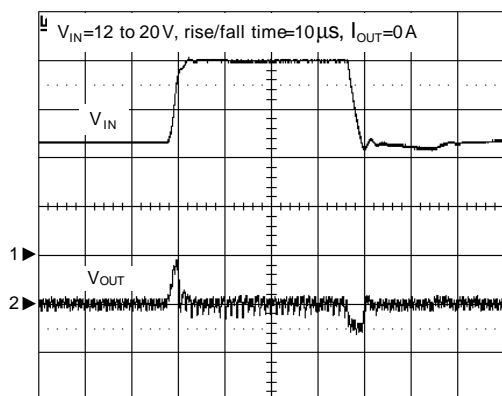


CH1:  $V_{OUT}$ , 5V/Div, DC  
 CH2:  $I_{L1}$ , 2A/Div, DC  
 TIME: 2 $\mu$ s/Div

## Operating Waveforms

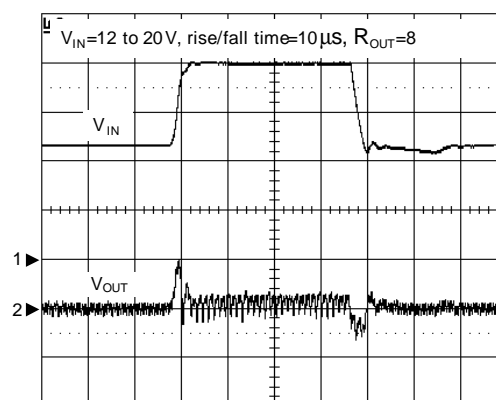
Refer to the "Typical Application Circuit" The test conditions are  $V_{IN}=12V$ ,  $V_{OUT}=3.3V$ ,  $L1=10\mu H$ ,  $C2=22\mu F$ ,  $T_A=25^\circ C$  unless otherwise specified.

Line Transient Response



CH1:  $V_{IN}$ , 5V/Div, DC  
 CH2:  $V_{OUT}$ , 100mV/Div, DC  
 TIME: 50µs/Div

Line Transient Response



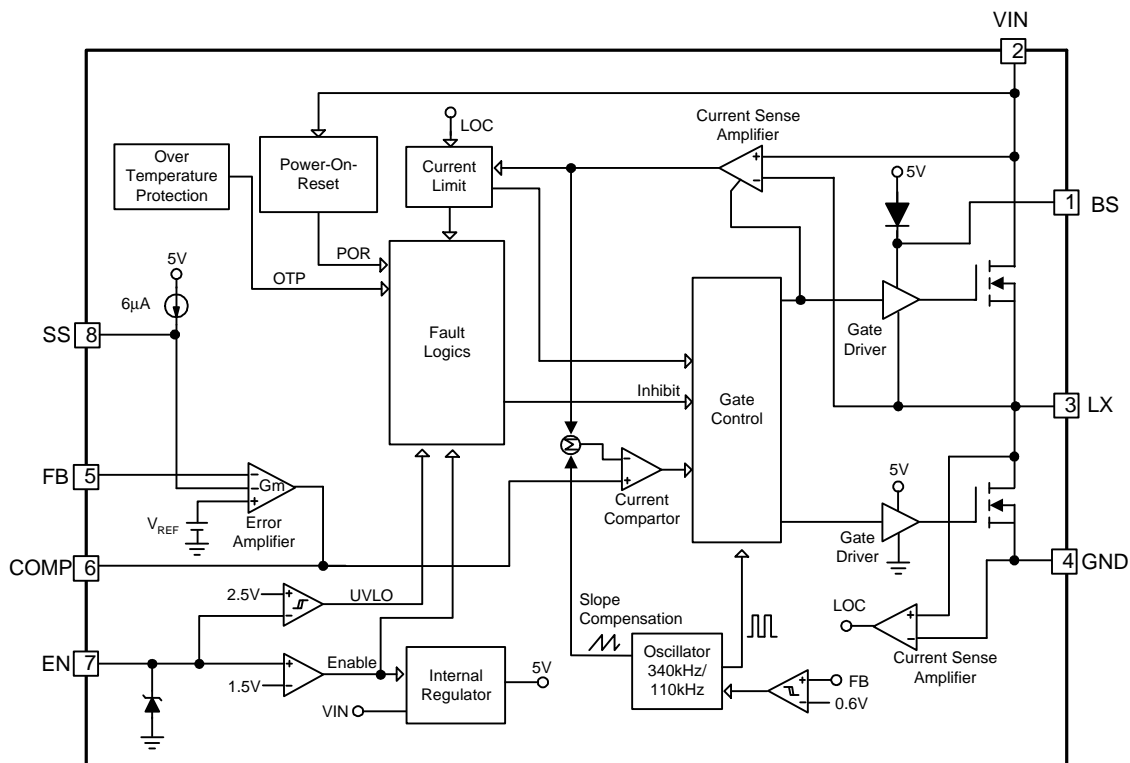
CH1:  $V_{IN}$ , 5V/Div, DC  
 CH2:  $V_{OUT}$ , 100mV/Div, DC  
 TIME: 50µs/Div



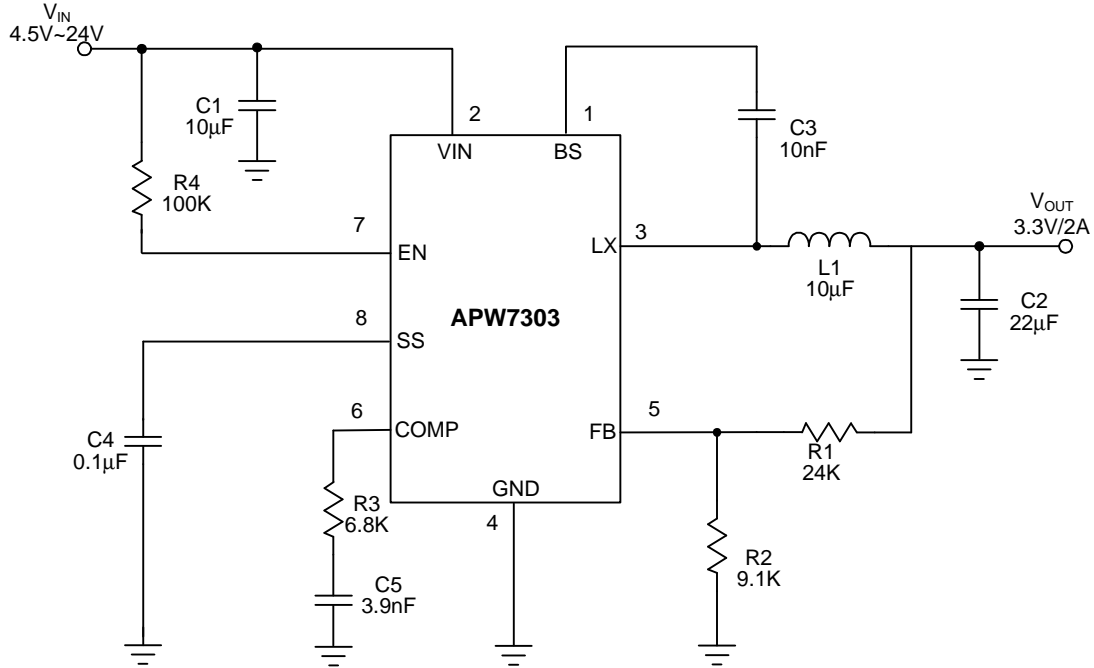
## Pin Description

PIN		FUNCTION
NO.	NAME	
1	BS	High-Side Gate Drive Boost Input. BS supplies the voltage to drive the high-side N-channel MOSFET. At least 10nF capacitor should be connected from LX to BS to supply the high side switch.
2	VIN	Power Input. VIN supplies the power (4.5V to 24V) to the control circuitry, gate drivers and step-down converter switches. Connecting a ceramic bypass capacitor and a suitably large capacitor between VIN and GND eliminates switching noise and voltage ripple on the input to the IC.
3	LX	Power Switching Output. LX is the Drain of the N-Channel power MOSFET to supply power to the output LC filter.
4	GND	Ground. Connect the exposed pad on backside to Pin 4.
5	FB	Output feedback Input. The APW7303 senses the feedback voltage via FB and regulates the voltage at 0.92V. Connecting FB with a resistor-divider from the converter's output sets the output voltage from 0.92V to 20V.
6	COMP	Output of the error amplifier. Connect a series RC network from COMP to GND to compensate the regulation control loop. In some cases, an additional capacitor from COMP to GND is required.
7	EN	Enable Input. EN is a digital input that turns the regulator on or off. Pull up with 100kΩ resistor for automatic startup.
8	SS	Soft-Start Control Input. SS controls the soft-start period. Connect a capacitor from SS to GND to set the soft-start period. A 0.1μF capacitor sets the soft-start period to 15ms. To disable the soft-start feature, leave SS unconnected.
9	Exposed Pad	Connect the exposed pad to the system ground plan with large copper area for dissipating heat into the ambient air.

## Block Diagram



Typical Application Circuit



Recommended Feedback Compensation Value

V <sub>in</sub> (V)	V <sub>out</sub> (V)	L <sub>1</sub> (mH)	C <sub>2</sub> (mF)	R <sub>1</sub> (KW)	R <sub>2</sub> (KW)	R <sub>3</sub> (KW)	C <sub>5</sub> (nF)
24	5	10	22(Ceremic)	39	9.1	6.8	3.9
12	5	10	44 (Ceremic)	39	9.1	5	1.5
12	3.3	10	22 (Ceremic)	24	9.1	6.8	3.9
12	2.5	10	22 (Ceremic)	15	9.1	6.8	3.9

## Function Description

### Main Control Loop

The APW7303 is a constant frequency current mode switching regulator. During normal operation, the internal N-channel power MOSFET is turned on each cycle when the oscillator sets an internal RS latch and would be turned off when an internal current comparator (ICMP) resets the latch. The peak inductor current at which ICMP resets the RS latch is controlled by the voltage on the COMP pin, which is the output of the error amplifier (EAMP). An external resistive divider connected between VOUT and ground allows the EAMP to receive an output feedback voltage VFB at FB pin. When the load current increases, it causes a slight decrease in VFB relative to the 0.92V reference, which in turn causes the COMP voltage to increase until the average inductor current matches the new load current.

### VIN Power-On-Reset (POR) and EN Under-voltage Lockout

The APW7303 keep monitoring the voltage on VIN pin to prevent wrong logic operations which may occur when VIN voltage is not high enough for the internal control circuitry to operate. The VIN POR has a rising threshold of 4.1V (typical) with 0.5V of hysteresis.

An external under-voltage lockout (UVLO) is sensed at the EN pin. The EN UVLO has a rising threshold of 2.5V with 0.2V of hysteresis. The EN pin should be connected a resistor divider from VIN to EN.

After the VIN and EN voltages exceed their respective voltage thresholds, the IC starts a start-up process and then ramps up the output voltage to the setting of output voltage.

### Over-Temperature Protection (OTP)

The over-temperature circuit limits the junction temperature of the APW7303. When the junction temperature exceeds  $T_j = +160^{\circ}\text{C}$ , a thermal sensor turns off the power MOSFET, allowing the devices to cool. The thermal sensor allows the converter to start a start-up process and regulate the output voltage again after the junction temperature cools by  $50^{\circ}\text{C}$ .

The OTP is designed with a  $50^{\circ}\text{C}$  hysteresis to lower the average  $T_j$  during continuous thermal overload conditions, increasing lifetime of the IC.

### Enable / Shutdown

Driving EN to ground places the APW7303 in shutdown. When in shutdown, the internal power MOSFET turns off, all internal circuitry shuts down.

### Current-Limit Protection

The APW7303 monitors the output current, flowing through the N-Channel power MOSFET, and limits the IC from damages during overload, short-circuit and over-voltage conditions.

### Frequency Foldback

The foldback frequency is controlled by the FB voltage. When the FB pin voltage is under 0.6V, the frequency of the oscillator will be reduced to 110kHz. This lower frequency allows the inductor current to safely discharge, thereby preventing current runaway. The oscillator's frequency will switch to its designed rate when the feedback voltage on FB rises above the rising frequency foldback threshold (0.6V, typical) again.

### Soft-Start

The APW7303 provides the programmed soft-start function to limit the inrush current. The soft-start time can be programmed by the external capacitor between SS and GND. Typical charge current is  $6\mu\text{A}$ , and the soft-start time is 15ms with  $0.1\mu\text{F}$  capacitor.

### Bootstrap Capacitor

The APW7303 is a N-channel MOSFET step down converter. The MOSFET requires a gate voltage that is higher than input voltage, thus a boost capacitor should be connected between LX and BS pins to drive the gate of the N-channel MOSFET. Typical bootstrap capacitor value is from 10nF to 100nF.

## Application Information

### Setting Output Voltage

The regulated output voltage is determined by:

$$V_{OUT} = 0.92 \times \left(1 + \frac{R_1}{R_2}\right) \cdot (V)$$

To prevent stray pickup, please locate resistors R1 and R2 close to APW7303.

### Inductor Capacitor Selection

Use small ceramic capacitors for high frequency decoupling and bulk capacitors to supply the surge current needed each time the N-channel power MOSFET (Q1) turns on. Place the small ceramic capacitors physically close to the VIN and between the VIN and GND.

The important parameters for the bulk input capacitor are the voltage rating and the RMS current rating. For reliable operation, select the bulk capacitor with voltage and current ratings above the maximum input voltage and largest RMS current required by the circuit. The capacitor voltage rating should be at least 1.25 times greater than the maximum input voltage and a voltage rating of 1.5 times is a conservative guideline. The RMS current (IRMS) of the bulk input capacitor is calculated as the following equation:

$$I_{RMS} = I_{OUT} \sqrt{D \times (1-D)} \cdot (A)$$

where D is the duty cycle of the power MOSFET.

For a through hole design, several electrolytic capacitors may be needed. For surface mount designs, solid tantalum capacitors can be used, but caution must be exercised with regard to the capacitor surge current rating.

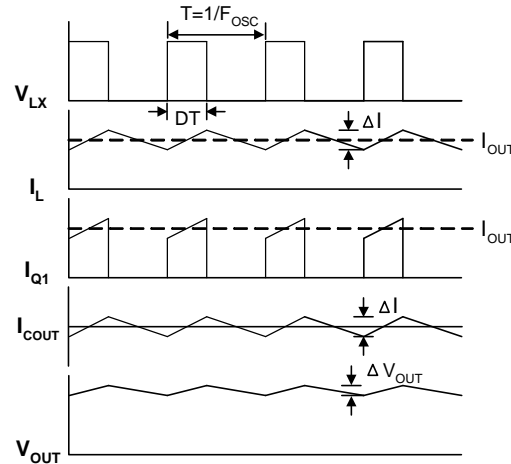
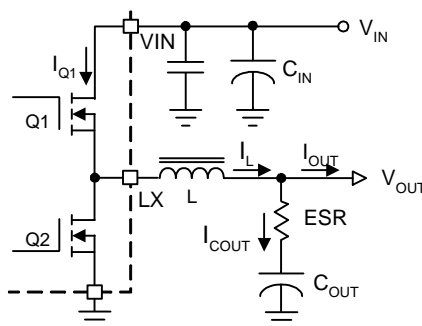


Figure 1. Converter Waveforms

### Output Capacitor Selection

An output capacitor is required to filter the output and supply the load transient current. The filtering requirements are the function of the switching frequency and the ripple current (DI). The output ripple is the sum of the voltages, having phase shift, across the ESR and the ideal output capacitor. The peak-to-peak voltage of the ESR is calculated as the following equations:

$$D = \frac{V_{OUT}}{V_{IN}} \quad \dots\dots\dots (1)$$

$$\Delta I = \frac{V_{OUT} \times (1 - D)}{F_{OSC} \times L} \quad \dots\dots\dots (2)$$

$$V_{ESR} = \Delta I \times ESR \quad \dots\dots\dots (3)$$

The peak- to-peak voltage of the ideal output capacitor is calculated as the following equations:

$$\Delta V_{COUT} = \frac{\Delta I}{8 \times F_{OSC} \times C_{OUT}} \quad \dots\dots\dots (4)$$

For the applications using bulk capacitors, the  $\Delta V_{COUT}$  is much smaller than the  $V_{ESR}$  and can be ignored. Therefore, the AC peak-to-peak output voltage ( $\Delta V_{OUT}$ ) is shown below:

$$\Delta V_{OUT} = \Delta I \times ESR \cdot (V) \quad \dots\dots\dots (5)$$

For the applications using bulk capacitors, the  $V_{ESR}$  is much smaller than the  $\Delta V_{COUT}$  and can be ignored. Therefore, the AC peak-to-peak output voltage ( $\Delta V_{OUT}$ ) is to  $\Delta V_{COUT}$ .

## Application Information(Cont.)

### Output Capacitor Selection (Cont.)

The load transient requirements are the function of the slew rate (di/dt) and the magnitude of the transient load current. These requirements are generally met with a mix of capacitors and careful layout. High frequency capacitors initially supply the transient and slow the current load rate seen by the bulk capacitors. The bulk filter capacitor values are generally determined by the ESR (Effective Series Resistance) and voltage rating requirements rather than actual capacitance requirements.

High frequency decoupling capacitors should be placed as close to the power pins of the load as physically possible. Be careful not to add inductance in the circuit board wiring that could cancel the usefulness of these low inductance components. An aluminum electrolytic capacitor's ESR value is related to the case size with lower ESR available in larger case sizes. However, the Equivalent Series Inductance (ESL) of these capacitors increases with case size and can reduce the usefulness of the capacitor to high slew-rate transient loading.

Table1 Capacitor Selection Guide

Vender	Model	Capacitance (μF)	TC	Voltage Rating(V)	Size
muRata	GRM31CR61E106K	10	X5R	25	1206
muRata	GRM31CR61C226K	22	X5R	16	1206

### Inductor Value Calculation

The operating frequency and inductor selection are inter-related in that higher operating frequencies permit the use of a smaller inductor for the same amount of inductor ripple current. However, this is at the expense of efficiency due to an increase in MOSFET gate charge losses. The equation (2) shows that the inductance value has a direct effect on ripple current.

Accepting larger values of ripple current allows the use of low inductances, but results in higher output voltage ripple and greater core losses. A reasonable starting point for setting ripple current is  $\Delta I \leq 0.4 \times I_{OUT(max)}$ . Please be noticed that the maximum ripple current occurs at the maximum input voltage. The minimum inductance of the inductor is calculated by using the following equation:

$$\frac{V_{OUT} \cdot (V_{IN} - V_{OUT})}{340000 \cdot L \cdot V_{IN}} \leq 1.2$$

$$L \geq \frac{V_{OUT} \cdot (V_{IN} - V_{OUT})}{408000 \cdot V_{IN}} \quad (H) \quad \dots\dots\dots (6)$$

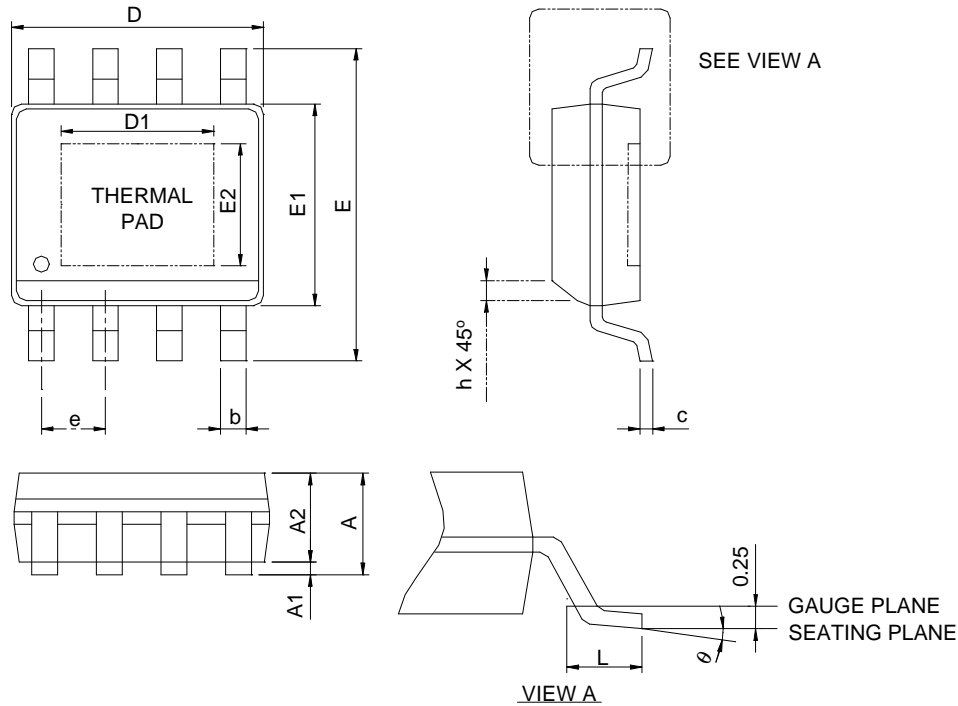
where  $V_{IN} = V_{IN(MAX)}$

Table2 Inductor Selection Guide

Vender	Model	Inductance (μH)	DCR (mΩ)	Current Rating(A)
CYNTEC	PCMB063T-100MS	10	62	4
Gausstek	PL94P051M-15U	15	50	3
Gausstek	PL94P051M-10U	10	38	3.8

Package Information

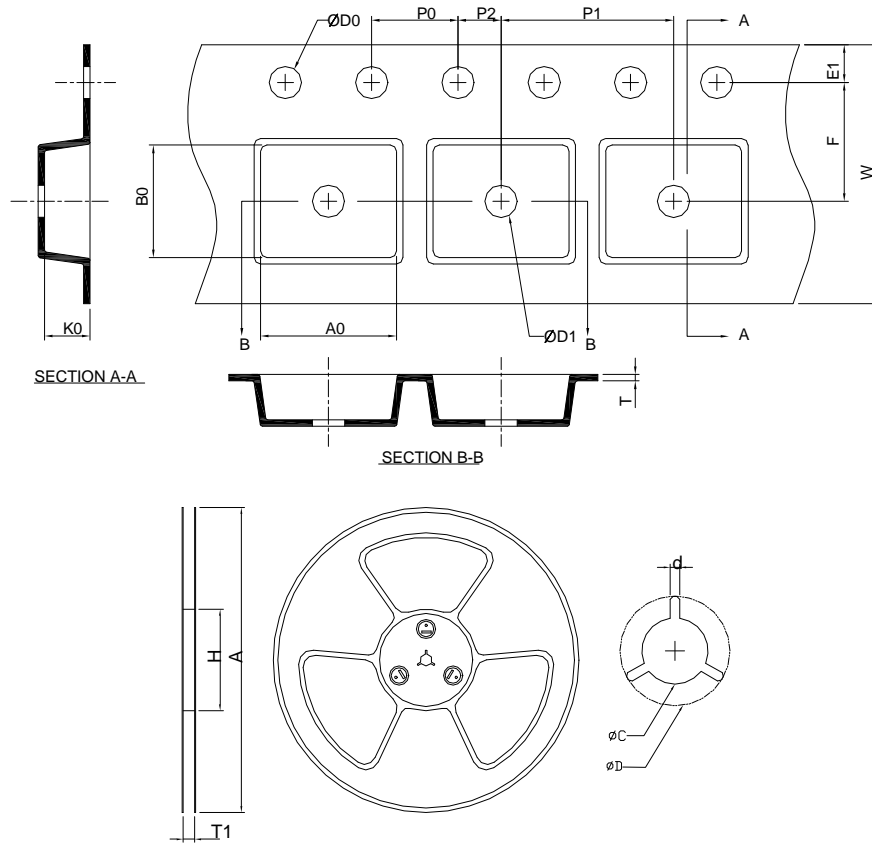
SOP-8P



SYMBOL	SOP-8P			
	MILLIMETERS		INCHES	
	MIN.	MAX.	MIN.	MAX.
A		1.60		0.063
A1	0.00	0.15	0.000	0.006
A2	1.25		0.049	
b	0.31	0.51	0.012	0.020
c	0.17	0.25	0.007	0.010
D	4.80	5.00	0.189	0.197
D1	2.50	3.50	0.098	0.138
E	5.80	6.20	0.228	0.244
E1	3.80	4.00	0.150	0.157
E2	2.00	3.00	0.079	0.118
e	1.27 BSC		0.050 BSC	
h	0.25	0.50	0.010	0.020
L	0.40	1.27	0.016	0.050
θ	0°C	8°C	0°C	8°C

- Note : 1. Followed from JEDEC MS-012 BA.  
 2. Dimension "D" does not include mold flash, protrusions or gate burrs.  
 Mold flash, protrusion or gate burrs shall not exceed 6 mil per side .  
 3. Dimension "E" does not include inter-lead flash or protrusions.  
 Inter-lead flash and protrusions shall not exceed 10 mil per side.

Carrier Tape & Reel Dimensions



Application	A	H	T1	C	d	D	W	E1	F
SOP-8P	330.0 ±0.00	50 MIN.	12.4+2.00 -0.00	13.0+0.50 -0.20	1.5 MIN.	20.2 MIN.	12.0 ±0.30	1.75 ±0.10	5.5 ±0.05
	P0	P1	P2	D0	D1	T	A0	B0	K0
	4.0 ±0.10	8.0 ±0.10	2.0 ±0.05	1.5+0.10 -0.00	1.5 MIN.	0.6+0.00 -0.40	6.40 ±0.20	5.20 ±0.20	2.10 ±0.20

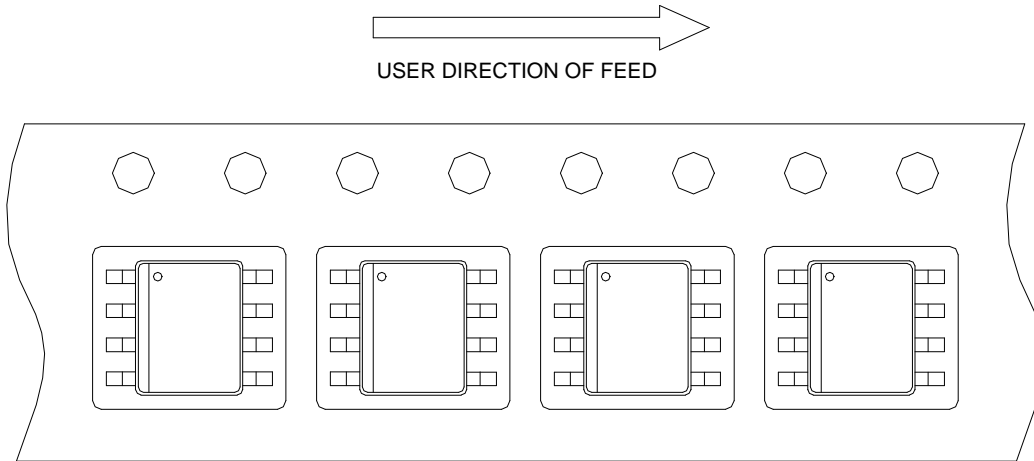
(mm)

Devices Per Unit

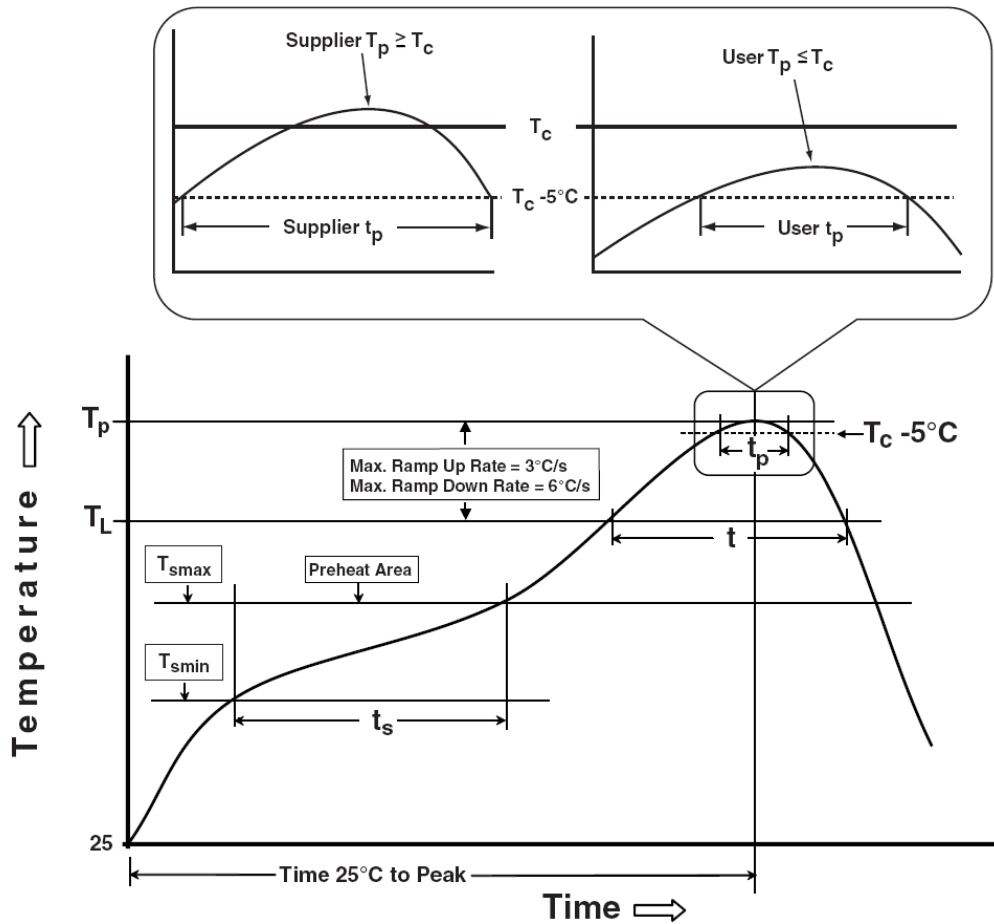
Package Type	Unit	Quantity
SOP-8P	Tape & Reel	2500

## Taping Direction Information

SOP-8P



## Classification Profile





## Classification Reflow Profiles

Profile Feature	Sn-Pb Eutectic Assembly	Pb-Free Assembly
<b>Preheat &amp; Soak</b> Temperature min ( $T_{smin}$ ) Temperature max ( $T_{smax}$ ) Time ( $T_{smin}$ to $T_{smax}$ ) ( $t_s$ )	100 °C 150 °C 60-120 seconds	150 °C 200 °C 60-120 seconds
Average ramp-up rate ( $T_{smax}$ to $T_p$ )	3 °C/second max.	3°C/second max.
Liquidous temperature ( $T_L$ ) Time at liquidous ( $t_L$ )	183 °C 60-150 seconds	217 °C 60-150 seconds
Peak package body Temperature ( $T_p$ )*	See Classification Temp in table 1	See Classification Temp in table 2
Time ( $t_p$ )** within 5°C of the specified classification temperature ( $T_c$ )	20** seconds	30** seconds
Average ramp-down rate ( $T_p$ to $T_{smax}$ )	6 °C/second max.	6 °C/second max.
Time 25°C to peak temperature	6 minutes max.	8 minutes max.
* Tolerance for peak profile Temperature ( $T_p$ ) is defined as a supplier minimum and a user maximum. ** Tolerance for time at peak profile temperature ( $t_p$ ) is defined as a supplier minimum and a user maximum.		

Table 1. SnPb Eutectic Process – Classification Temperatures ( $T_c$ )

Package Thickness	Volume mm <sup>3</sup> <350	Volume mm <sup>3</sup> ≥350
<2.5 mm	235 °C	220 °C
≥2.5 mm	220 °C	220 °C

Table 2. Pb-free Process – Classification Temperatures ( $T_c$ )

Package Thickness	Volume mm <sup>3</sup> <350	Volume mm <sup>3</sup> 350-2000	Volume mm <sup>3</sup> >2000
<1.6 mm	260 °C	260 °C	260 °C
1.6 mm – 2.5 mm	260 °C	250 °C	245 °C
≥2.5 mm	250 °C	245 °C	245 °C

## Reliability Test Program

Test item	Method	Description
SOLDERABILITY	JESD-22, B102	5 Sec, 245°C
HOLT	JESD-22, A108	1000 Hrs, Bias @ $T_j=125^\circ\text{C}$
PCT	JESD-22, A102	168 Hrs, 100%RH, 2atm, 121°C
TCT	JESD-22, A104	500 Cycles, -65°C~150°C
HBM	MIL-STD-883-3015.7	VHBM 2KV
MM	JESD-22, A115	VMM 200V
Latch-Up	JESD 78	10ms, 1 <sub>tr</sub> 100mA

---

## Customer Service

### **Anpec Electronics Corp.**

Head Office :

No.6, Dusing 1st Road, SBIP,

Hsin-Chu, Taiwan, R.O.C.

Tel : 886-3-5642000

Fax : 886-3-5642050

Taipei Branch :

2F, No. 11, Lane 218, Sec 2 Jhongsing Rd.,

Sindian City, Taipei County 23146, Taiwan

Tel : 886-2-2910-3838

Fax : 886-2-2917-3838