

## Current Mode Power Switch with Built-in HV-Startup and CC Regulation

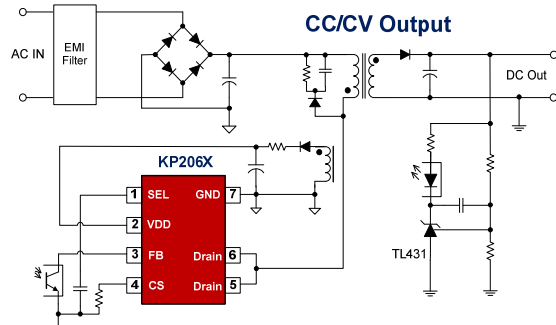
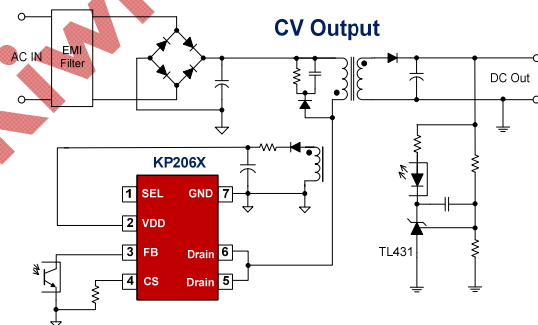
### FEATURES

- Integrated with HV-Startup Circuit
- Primary Side Constant-Current (CC) Control for DCM and CCM Operation
- Integrated with 650V Power MOSFET
- $\pm 1\%$  CV Regulation,  $\pm 5\%$  CC Regulation
- Less than 50mW Standby Power
- Fixed 65KHz Switching Frequency
- Green Mode and Burst Mode Control
- Very Low Startup and Operation Current
- Built-in Frequency Shuffling to Reduce EMI
- Built-in Current Mode Control with Internal Slope Compensation
- Built-in Protections with Auto Recovery:
  - VDD Under Voltage Lockout (UVLO)
  - VDD Over Voltage Protection (OVP)
  - Short Circuit Protection (SCP)
  - Cycle-by-Cycle Current Limiting
  - Over Load Protection (OLP)
  - Leading Edge Blank(LEB)
  - On-chip OTP
- Available with DIP-7 Package

### APPLICATIONS

- Power Adapter
- General Switch Mode Power Supply

### TYPICAL APPLICATION CIRCUIT



### GENERAL DESCRIPTION

KP206X is a high performance current mode PWM power switch for offline flyback converter applications. The IC has built-in General Primary Side CC control, which simplifies isolated power supply design that requires CC regulation of the output.

KP206X is designed with a high accurate 65KHz PWM switching clock, which also has the frequency jitter function for better EMC performance. The IC has built-in green and burst mode control for light and zero loadings, which can achieve less than 50mW standby power loss.

KP206X integrates functions and protections of Under Voltage Lockout (VDD UVLO), VDD over Voltage Protection (VDD OVP), Cycle-by-cycle Current Limiting (OCP), Short Circuit Protection (SCP), Over Load Protection (OLP), On-Chip Thermal Shutdown (OTP), Soft Start and VDD Clamping, etc.