

Secondary Side Synchronous Rectifier (SR)

FEATURES

- Secondary Side Synchronous Rectifier(SR) for Flyback converters
- Supports High-Side and Low-Side in DCM and Quasi-Resonant Topologies
- <300uA Low Quiescent Current
- Built-in HV Supplies without Aux-Winding for VDD supply
- Integrated with 45V Power MOSFET
- Built-in Protections:
 - VDD UVLO
 - VDD Clamper by >5mA sink current
- Available with SOP-8Package

APPLICATIONS

- Flyback converters
- Chargers

TYPICAL APPLICATION CIRCUIT

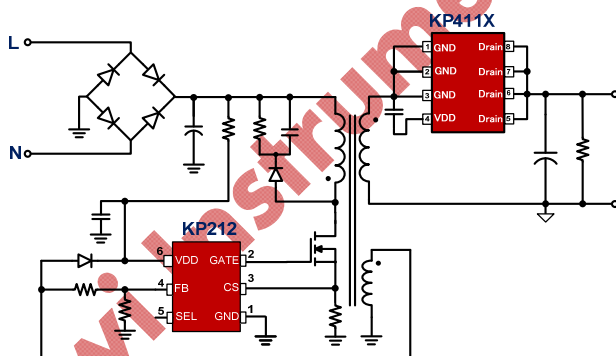
GENERAL DESCRIPTION

KP411X is a family of secondary side synchronous rectifier, that replaced Schottky diodes by combined with an ultra low on-state resistance power MOSFET for high-efficiency flyback converters. It supports High-Side and Low-Side in DCM and Quasi-Resonant Topologies.

KP411X is built-in HV supplies for VDD capacitor, that can eliminate the aux-winding of VDD supply for cost saving.

KP411X integrates protections of Under Voltage Lockout (UVLO), VDD Clamper.

High Side SR



Low Side SR

