

10 KEYS Capacitive Touch Key

- Descriptions of Product

Provides 10 touch keys and the two-line SPI and communication between the interrupt output INT pin and the MCU. It has excellent performance in waterproof and anti-interference

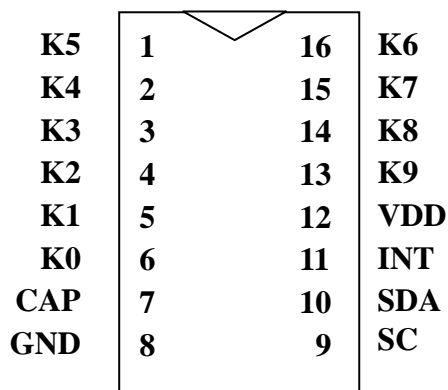
- Features of Product

- ◆ Operating Voltage: 3.1V - 5.5V
- ◆ Operating current: 3mA@5V
- ◆ 10 touch control keys
- ◆ Provides serial interfaces such as SCK, SDA, and INT as available communication methods with MCU
- ◆ Sensitivity is adjustable through adjustment of the external capacitor connected to CAP pin. Sensitivity is higher with larger capacitance
- ◆ Waterproof and immersion proof. Key function is still effective even with water droplets covering the touch key panel
- ◆ The built-in LDO enhances the anti-interference capability of power supply

- Product Applications

- Various types of small and large appliances and entertainment products

Pin diagram of packaging



**16 - SOP-A
TTP258RD-AOBN**

- Pin Definition

Pin	Pin Name	Type	Descriptions of Function
1	K5	I	Pin of touch key, connected in series with resistors of 100-1000 ohms, to enable high resistance to interference and electrostatics
2	K4	I	Pin of touch key, connected in series with resistors of 100-1000 ohms, to enable high resistance to interference and electrostatics
3	K3	I	Pin of touch key, connected in series with resistors of 100-1000 ohms, to enable high resistance to interference and electrostatics
4	K2	I	Pin of touch key, connected in series with resistors of 100-1000 ohms, to enable high resistance to interference and electrostatics
5	K1	I	Pin of touch key, connected in series with resistors of 100-1000 ohms, to enable high resistance to interference and electrostatics
6	K0	I	Pin of touch key, connected in series with resistors of 100-1000 ohms, to enable high resistance to interference and electrostatics
7	CAP	--	Capacitor used must be made of NPO material or X7R material Range of use: 6800pF-33,000pF, the larger the capacitance the higher the sensitivity
8	VSS	P	Negative terminal of power supply
9	SCK	I	Pin of serial mode time pulse input
10	SDA	O	Pin of serial mode data output
11	INT	O	Pin of notice for key status change
12	VDD	P	Positive terminal of power supply
13	K9	I	Pin of touch key, connected in series with resistors of 100-1000 ohms, to enable high resistance to interference and electrostatics
14	K8	I	Pin of touch key, connected in series with resistors of 100-1000 ohms, to enable high resistance to interference and electrostatics
15	K7	I	Pin of touch key, connected in series with resistors of 100-1000 ohms, to enable high resistance to interference and electrostatics
16	K6	I	Pin of touch key, connected in series with resistors of 100-1000 ohms, to enable high resistance to interference and electrostatics



TTY6807 TonTouch™

I: Input
O: Output
P: Power supply

- AC/DC Characteristics

1 Absolutely max. Ratings

ITEM	SYMBOL	RATING	UNIT
Operating Temperature	Top	-20- +70	°C
Storage Temperature	Tsto	-50- +125	°C
Supply Voltage	VDD	5.5	V
Voltage to input terminal	Vin	Vss-0.3V to Vdd+0.3	V

2 D.C. Characteristics

(Condition: Ta=25 ± 3 °C, RH ≤ 65% , VDD = +5V, Vss=0V)

Item	Symbol	Condition:	Min.	Typ.	Max.	Unit
Operating Voltage	VDD		3.1	5	5.5	V
Operating Current	I _{OPR1}	VDD=5V		3		mA
Input low voltage for input and I/O port	V _{IL1}		0		0.3V _D	V
Input low voltage for input and I/O port	V _{IH1}		0.7V _D		VDD	V
Output port source current	I _{OH1}	V _{OH} =0.9VDD, @5V		4		mA
Output port sink current	I _{OL1}	V _{OL} =0.1VDD, @5V		8		mA

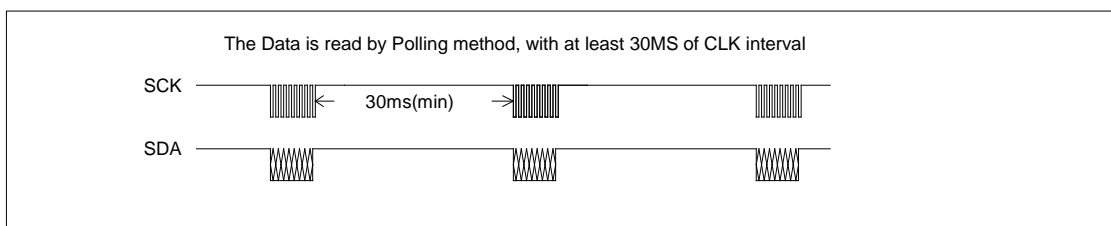
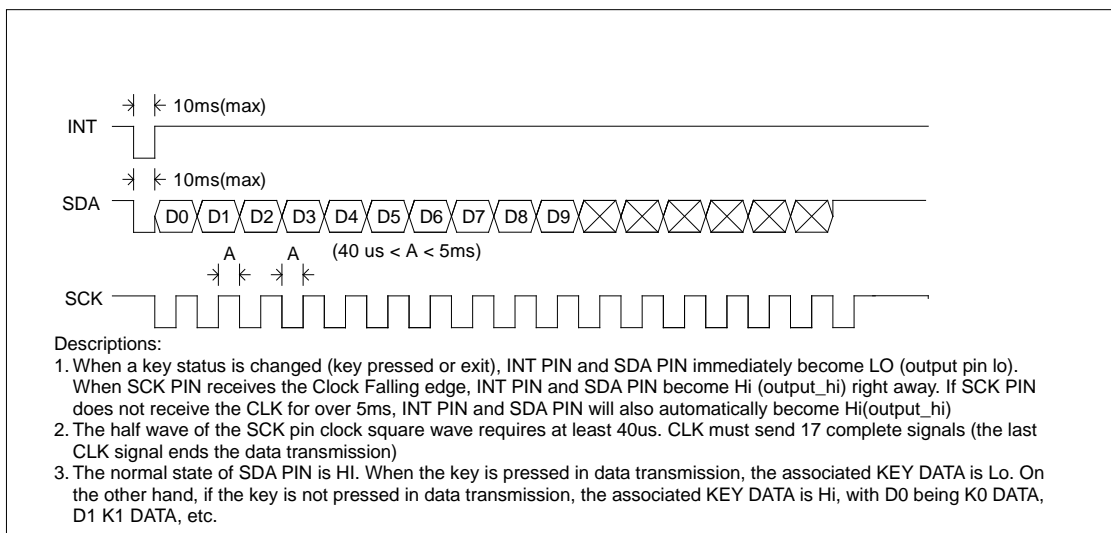
3 A.C. Characteristics

Item	Symbol	Condition:	Min.	Typ.	Max.	Unit
System clock	f _{SYS1}	OSC @5V		4		MHz
Low Voltage Reset	V _{lvr}		2.0	2.2	2.4	V
SCK positive pulse time	SCK _H		0.04		10	mS
SCK negative pulse time	SCK _L		0.04		10	mS
Time of Data interval			30			mS

- **Output Indicator**

Provides 10 key capacitive touch keys, with two-line serial output. The data is transmitted be the order of K9~K0, with data output at 1 when there is no key pressed and at 0 when a key is pressed. The time interval between each data in data readout needs to be at least 30mS to avoid causing interference to the key scan

- **Temporal Diagram of Serial Transmission**



- **Descriptions of Function**

- 1 The state of the corresponding key output is within 60ms when the TTY6807 touch pad is pressed by a finger.
- 2 Output of the pressing of a single key is processed first. If K1 has acknowledged, other keys can only be acknowledged when K1 is released. Output of only one key can be sent out at the same time.
- 3 The idle-free function restores the system status if the effective output of pressed key remains on for over 10 seconds.
- 4 Function of environmental adaption changes the reference value according to the changes in ambient temperature and humidity to ensure normal key operation.
- 5 Capable of identifying water and finger touch. Key function is still effective even when immersed in water and with water droplets covering the touch pad. However, if a "water column" is formed on the touch pad, it has the equivalent effect of finger touch and will cause output from key press acknowledgment.
- 6 The built-in LDO and the processing procedure for anti-power noise have very good resistance to interference from power ripples.
- 7 Please ground all unused keys to avoid false actions due to overly sensitive responses.

- **Notes of Caution**

1. Relation of Cs capacitance and sensitivity:
 1. The smaller the Cs capacitance, the lower the touch sensitivity
 2. The larger the Cs capacitance, the higher the touch sensitivity
 3. Capacitance of Cs ranges from 6800pF (682) to 33000pF (333)
 4. Capacitor materials with small temperature coefficient and stable capacitance are needed for measurement of Cs capacitance. As a result, capacitors made of NPO or X7R are needed
2. In the power layout, one has to divide the design by circuit blocks, where the touch IC has independent wiring connected to the positive terminal of the power

supply. If there is no independent wiring, connect the touch circuit first before forming connections with other circuits. The same rule applies to the ground part, where there is independent wiring connected to the ground of the power supply. Namely, star grounding is used. Such method can avoid interference by other circuits and significantly improve the stability of the touch circuit.

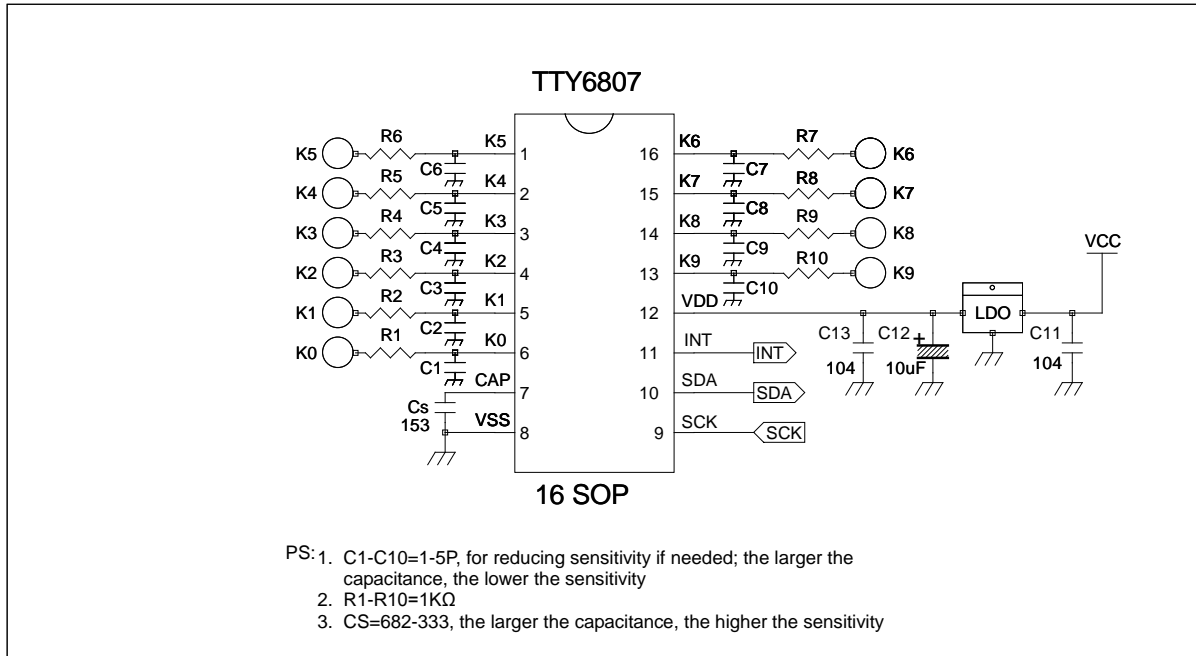
3. One side PCB design. It is recommended to use a sensing spring as the touch pad. It is best to use a spring with a cap and a larger cap enables better sensitivity.
4. If the double side PCB design is used, the touch pad can be circular or square by design. The common size is 12mm x 12mm. The IC wiring should be arranged on the other side of the touch pad. Meanwhile, thinner wire should be used and do not create excessively long wiring.
5. The PCB and the external cover must be sealed together securely. Otherwise, the capacitor dielectric will change, which affects the capacitance measurement and leads to instability. It is recommended to apply nonconductive glue such as 3M HBM series acrylic between the cover and PAD.
6. The overall stray capacitance must be minimized to increase the sensitivity. The wiring area between the touch IC pins and touch pad is not grounded on either the front or back. However, touch areas in the area outside to the sides of PCB must be covered by ground wiring as fences to isolate the capacitive interference from the sides. Only capacitance changes on top of the touch pad are accepted. The ground wire must be away from the touch area by at least 2mm. The distance between touch pads also needs to be at least 2mm to prevent parallel wiring of different pads from getting too close. This way the stray capacitance between the touch PAD and ground can be minimized, which helps improve the sensitivity of the product.
7. The principle of capacitive touch sensing works with treating the finger as the conductor. When the finger approaches the touch pad, it will increase the grounding paths and increase the stray capacitance. By checking the changes of capacitance, one can determine whether there is any finger touch. The change of the capacitance formed between the touch pad and finger is inversely proportional to the thickness of the touch cover and is proportional to the area of touch pad covered by the finger.
8. The cover material can also affect the sensitivity. Panels made of different materials have different dielectric constants. For example, the dielectric constant of glass is greater than that of organic glass (acrylic), which is greater than plastic.



TTY6807 TonTouch™

Given the same thickness, the larger the dielectric constant, the larger the capacitance formed between the finger and touch pad. Larger changes of capacitance in the measurement means easier press key acknowledgment and higher sensitivity.

- Diagram of Application Circuits



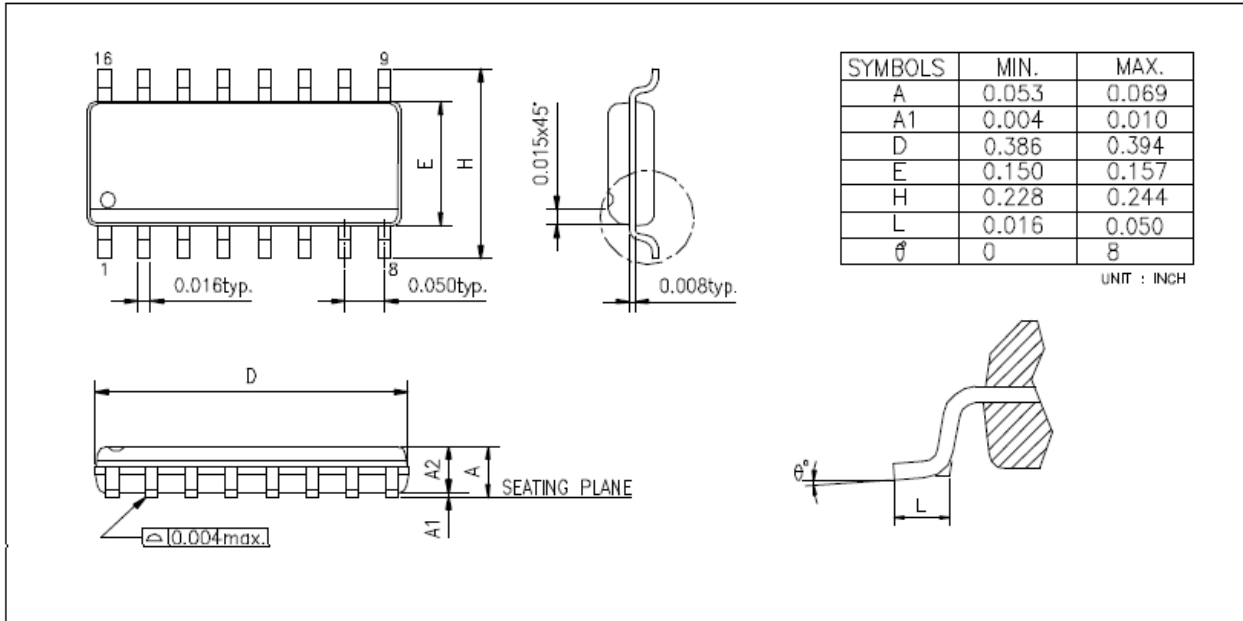
- Relation of Cs external capacitor and acrylic thickness:
- For a sensing spring with an iron cap and 12MM in diameter, the relation of acrylic thickness and CS capacitor is described below:

Acrylic thickness (mm)	CS	Sensitivity setting
1	682	30
2	103	30
3	153	30
4	223	30
5	223	30
10	333	30

This table is for reference only and subject to changes caused by PAD size and PCB layout.

- Descriptions of Packaging

(16 - SOP)



- Information of Purchasing

1. TTY6807

a. Packaging Model Number: TTP258RD-AOBN

- History of Revisions

1. 2014/05/15 – Original Version: Version: 1.00
2. 2014/06/11 – page 1, 8 KEYS capacitive touch key changed to 10 KEYS
3. 2014/10/08 – page 1, delete Provides OPT1 available with selections of two-line type or three-line type
4. 2015/05/08- Modify Operating Voltage: 3.1V - 5.5V