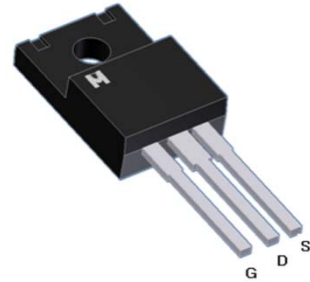


N-Channel Logic Level Enhancement Mode Field Effect Transistor

Product Summary:

BV_{DSS}	200V
$R_{DS(on)} (MAX.)$	120m Ω
I_D	18A



UIS, 100% Tested

Pb-Free Lead Plating & Halogen Free



ABSOLUTE MAXIMUM RATINGS ($T_C = 25\text{ }^\circ\text{C}$ Unless Otherwise Noted)

PARAMETERS/TEST CONDITIONS		SYMBOL	LIMITS	UNIT
Gate-Source Voltage		V_{GS}	± 30	V
Continuous Drain Current	$T_C = 25\text{ }^\circ\text{C}$	I_D	18	A
	$T_C = 100\text{ }^\circ\text{C}$		12	
Pulsed Drain Current ¹		I_{DM}	60	
Avalanche Current		I_{AS}	11	
Avalanche Energy	$L = 1\text{mH}, I_D = 11\text{A}, R_G = 25\Omega$	E_{AS}	60.5	mJ
Repetitive Avalanche Energy ²	$L = 0.5\text{mH}$	E_{AR}	30.2	
Power Dissipation	$T_C = 25\text{ }^\circ\text{C}$	P_D	35	W
	$T_C = 100\text{ }^\circ\text{C}$		14	
Operating Junction & Storage Temperature Range		T_{j}, T_{stg}	-55 to 150	$^\circ\text{C}$

THERMAL RESISTANCE RATINGS

THERMAL RESISTANCE	SYMBOL	TYPICAL	MAXIMUM	UNIT
Junction-to-Case	$R_{\theta JC}$		3.5	$^\circ\text{C} / \text{W}$
Junction-to-Ambient	$R_{\theta JA}$		65	

¹Pulse width limited by maximum junction temperature.

²Duty cycle $\leq 1\%$

ELECTRICAL CHARACTERISTICS ($T_c = 25\text{ }^\circ\text{C}$, Unless Otherwise Noted)

PARAMETER	SYMBOL	TEST CONDITIONS	LIMITS			UNIT
			MIN	TYP	MAX	
STATIC						
Drain-Source Breakdown Voltage	$V_{(BR)DSS}$	$V_{GS} = 0V, I_D = 250\mu A$	200			V
Gate Threshold Voltage	$V_{GS(th)}$	$V_{DS} = V_{GS}, I_D = 250\mu A$	2.0	3.2	4.5	
Gate-Body Leakage	I_{GSS}	$V_{DS} = 0V, V_{GS} = \pm 30V$			± 100	nA
Zero Gate Voltage Drain Current	I_{DSS}	$V_{DS} = 160V, V_{GS} = 0V$			1	μA
		$V_{DS} = 130V, V_{GS} = 0V, T_J = 125\text{ }^\circ\text{C}$			25	
On-State Drain Current ¹	$I_{D(ON)}$	$V_{DS} = 5V, V_{GS} = 10V$	18			A
Drain-Source On-State Resistance ¹	$R_{DS(ON)}$	$V_{GS} = 10V, I_D = 10.5A$		105	120	$m\Omega$
		$V_{GS} = 7V, I_D = 10.5A$		115	140	
Forward Transconductance ¹	g_{fs}	$V_{DS} = 5V, I_D = 10.5A$		12		S
DYNAMIC						
Input Capacitance	C_{iss}	$V_{GS} = 0V, V_{DS} = 25V, f = 1MHz$		2860		pF
Output Capacitance	C_{oss}			143		
Reverse Transfer Capacitance	C_{rss}			46		
Total Gate Charge ^{1,2}	Q_g	$V_{DS} = 100V, V_{GS} = 10V, I_D = 10.5A$		36.4		nC
Gate-Source Charge ^{1,2}	Q_{gs}			10.4		
Gate-Drain Charge ^{1,2}	Q_{gd}			13.4		
Turn-On Delay Time ^{1,2}	$t_{d(on)}$	$V_{DS} = 100V, I_D = 1A, V_{GS} = 10V, R_{GS} = 6\Omega$		25		nS
Rise Time ^{1,2}	t_r			180		
Turn-Off Delay Time ^{1,2}	$t_{d(off)}$			250		
Fall Time ^{1,2}	t_f			200		
SOURCE-DRAIN DIODE RATINGS AND CHARACTERISTICS ($T_c = 25\text{ }^\circ\text{C}$)						
Continuous Current	I_S				18	A
Pulsed Current ³	I_{SM}				60	
Forward Voltage ¹	V_{SD}	$I_F = I_S, V_{GS} = 0V$			1.5	V

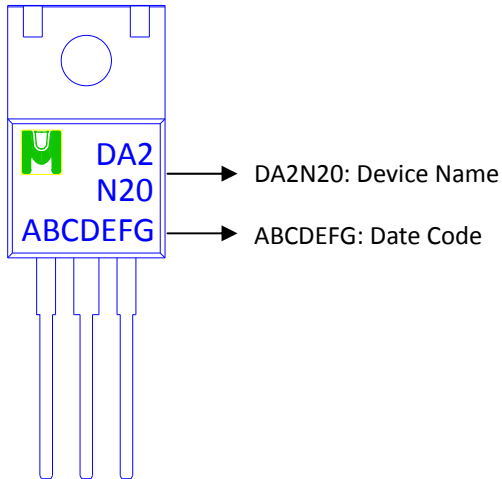
¹Pulse test : Pulse Width $\leq 300\ \mu\text{sec}$, Duty Cycle $\leq 2\%$.

²Independent of operating temperature.

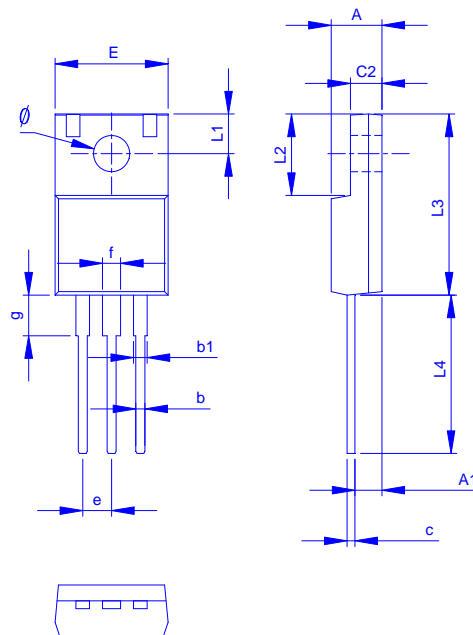
³Pulse width limited by maximum junction temperature.

Ordering & Marking Information:

Device Name: EMDA2N20F for TO-220F



Outline Drawing



Dimension in mm

Dimension	A	A1	b	b1	c	c2	E	L1	L2	L3	L4	ø	e	f	g
Min.	4.20	1.95	0.50	0.90	0.45	2.34	9.70	2.70	6.48	14.80	12.68	3.00	2.35	1.18	3.13
Max.	4.90	2.96	1.05	1.50	0.80	3.20	10.66	3.80	7.50	16.30	14.50	3.50	2.75	1.90	4.00



TYPICAL CHARACTERISTICS

