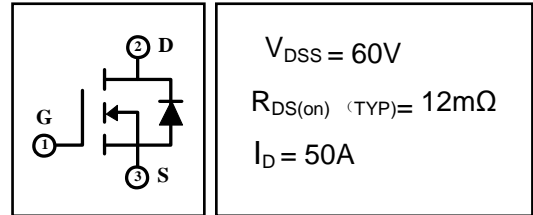


## 50A 60V N-channel Enhancement Mode Power MOSFET

### 1 Description

These N-channel Enhanced VDMOSFETs Used advanced trench technology design, provided excellent RDSON and low gate charge. Which accords with the RoHS standard.

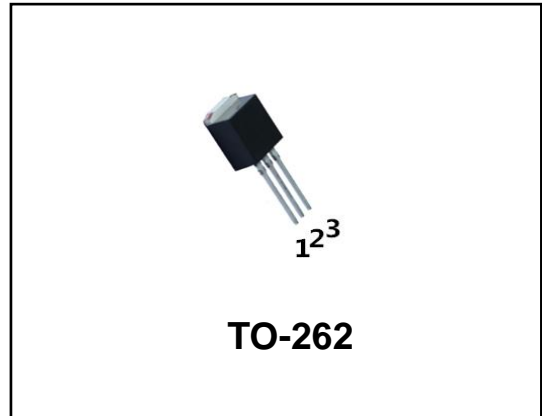


### 2 Features

- Fast Switching
- Low ON Resistance( $R_{DS(on)} \leq 18m\Omega$ )
- Low Gate Charge(Typical:17nC)
- Low Reverse Transfer Capacitances(Typical:150pF)
- 100% Single Pulse Avalanche Energy Test
- 100%  $\Delta V_{DS}$  Test

### 3 Applications

- Power switching applications
- DC-DC Convertors
- UPS power supply
- Load switch



## 4 Electrical Characteristics

### 4.1 Absolute Maximum Rating ( $T_c=25^\circ C$ , unless otherwise noted)

PARAMETER	SYMBOL	VALUE	UNIT	
Maximum Drain-Source DC Voltage	$V_{DS}$	60	V	
Maximum Gate-Drain Voltage	$V_{GS}$	$\pm 20$	V	
Drain Current(continuous)	$I_D$ ( $T=25^\circ C$ ) ( $T=100^\circ C$ )	66	A	
		50	A	
Drain Current(Pulsed) <sup>(Note 1)</sup>	$I_{DM}$	250	A	
Single Pulse Avalanche Energy <sup>(Note 5)</sup>	$E_{AS}$	120	mJ	
Avalanche Current <sup>(Note 1)</sup>	$I_{AS}$	15	A	
Total Dissipation	$T_a=25^\circ C$	$P_{tot}$	2	W
	$T_c=25^\circ C$	$P_{tot}$	88	W
Junction Temperature	$T_j$	175	$^\circ C$	
storage Temperature	$T_{stg}$	-55~175	$^\circ C$	
Maximum Temperature for soldering	$T_L$	300	$^\circ C$	

### 4.2 Thermal Characteristics

PARAMETER	SYMBOL	VALUE	UNIT
Thermal Resistance Junction to Case-sink	$R_{thJC}$	1.7	$^\circ C/W$
Thermal Resistance Junction to Ambient	$R_{thJA}$	62.5	$^\circ C/W$

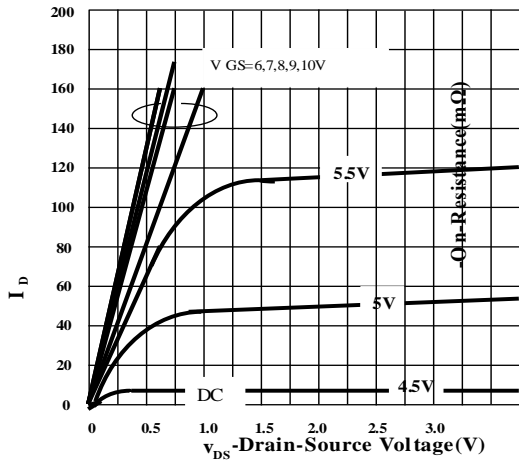
**4.3 Electrical Characteristics** (Tc=25°C, unless otherwise noted)

PARAMETER	SYMBOL	Test Condition	VALUE			UNIT
			MIN	TYP	MAX	
<b>Off Characteristics</b>						
Drain-source Breakdown Voltage	$BV_{DSS}$	$I_D=250\mu A, V_{GS}=0V$	60	--	--	V
Drain-to-Source Leakage Current	$I_{DSS}$	$V_{DS}=60V, V_{GS}=0V, T_C=25^\circ C$	--	--	1	$\mu A$
		$V_{DS}=48V, V_{GS}=0V, T_C=125^\circ C$	--	--	100	$\mu A$
Gate-to-Source Forward Leakage	$I_{GSSF}$	$V_{GS}=+20V$	--	--	100	nA
Gate-to-Source Reverse Leakage	$I_{GSSR}$	$V_{GS}=-20V$	--	--	-100	nA
<b>On Characteristics</b> <sup>(Note 3)</sup>						
Gate threshold voltage	$V_{GS(th)}$	$V_{DS}=V_{GS}, I_D=250\mu A$	2	--	4	V
Drain-source on Resistance	$R_{DS(on)}$	$V_{GS}=10V, I_D=20A$	--	12	18	m $\Omega$
<b>Dynamic Characteristics</b> <sup>(Note 4)</sup>						
Forward Transfer conductance	$g_{fs}$	$V_{DS}=15V, I_D=10A$	--	9.5	--	S
Input Capacitance	$C_{iss}$	$V_{GS}=0V, V_{DS}=20V, f=1.0MHz$	--	2068	--	pF
Output Capacitance	$C_{oss}$		--	200	--	
Reverse Transfer Capacitance	$C_{rss}$		--	150	--	
Gate Resistance	$R_G$	$V_{DS}=0V, V_{GS}=0V, F=1MHz$	--	1.4	--	$\Omega$
<b>Switching Characteristics</b> <sup>(note4)</sup>						
Turn-on Delay Time	$t_{d(on)}$	$V_{DD}=20V, R_L=20\Omega, I_D=1A, V_{GS}=10V, R_{GEN}=6\Omega$	--	14	--	nS
Turn-on Rise Time	$t_r$		--	13	--	nS
Turn-off Delay Time	$t_{d(off)}$		--	20	--	nS
Turn-off Fall Time	$t_f$		--	7.2	--	nS
Total Gate Charge	$Q_g$	$I_D=20A, V_{DS}=20V, V_{GS}=10V$	--	51	--	nC
Gate-to-Source Charge	$Q_{gs}$		--	11	--	
Gate-to-Drain("Miller") Charge	$Q_{gd}$		--	17	--	
<b>Drain-Source Diode Characteristics</b>						
Diode Forward Voltage <sup>(Note 3)</sup>	$V_{FSD}$	$V_{GS}=0V, I_S=2A$	--	--	1.5	V
Diode Forward Current <sup>(Note 2)</sup>	$I_S$		--	--	2	A
Reverse Recovery Time	$t_{rr}$	$T_J=25^\circ C, I_F=20A, di_F/dt=100A/\mu S, V_{GS}=0V$	--	28	--	nS
Reverse Recovery Charge	$Q_{rr}$		--	24	--	nC

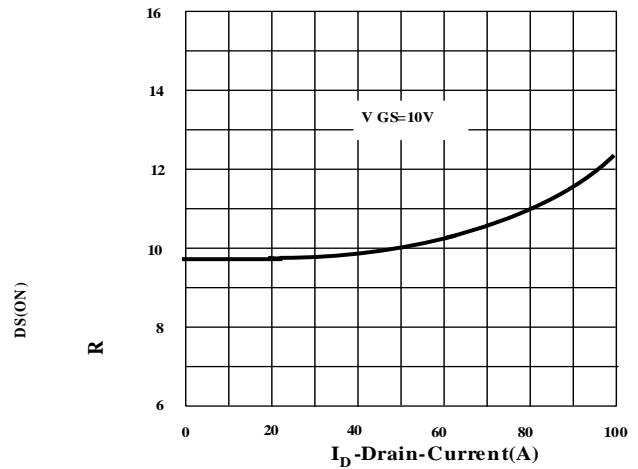
**Notes:**

- 1: Repetitive rating, pulse width limited by maximum junction temperature.
- 2: Surface mounted on FR4 Board,  $t \leq 10sec$ .
- 3: Pulse width  $\leq 300\mu s$ , duty cycle  $\leq 2\%$ .
- 4: Guaranteed by design, not subject to production.
- 5:  $L=10mH, I_D=3.58A, V_{DD}=50V, V_{GATE}=600V, Start T_J=25^\circ C$ .
- 6:  $I_{SD}=2A, di/dt \leq 100A/\mu s, V_{DD} \leq BV_{DSS}, Start T_J=25^\circ C$ .

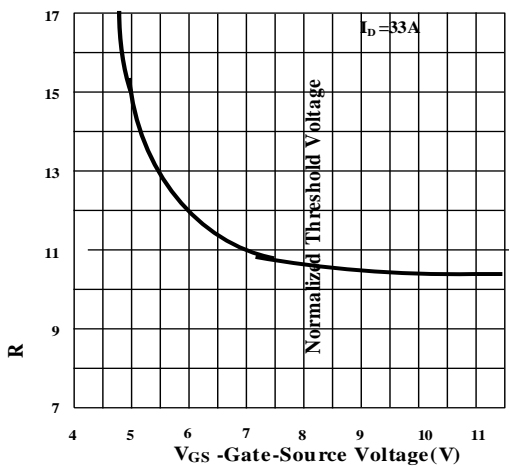
**5 Typical characteristics diagrams**



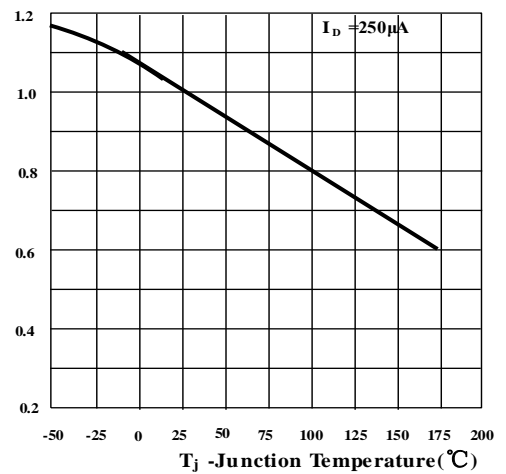
**Figure.1 Output Characteristics**



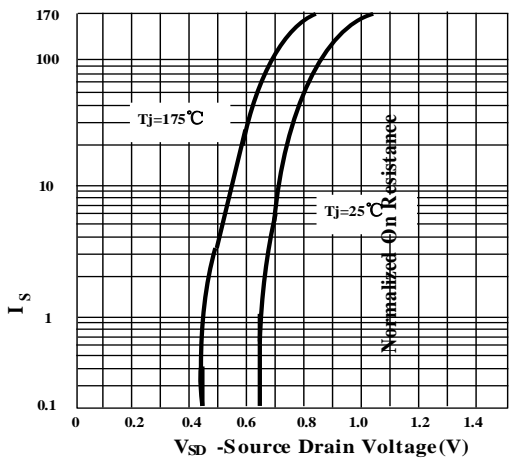
**Figure.2 Drain- Source On Resistance**



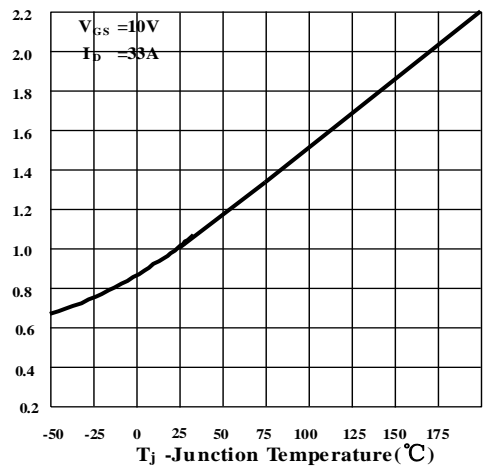
**Figure.3 Drain-Source On Resistance**



**Figure.4 Gate Threshold Voltage**

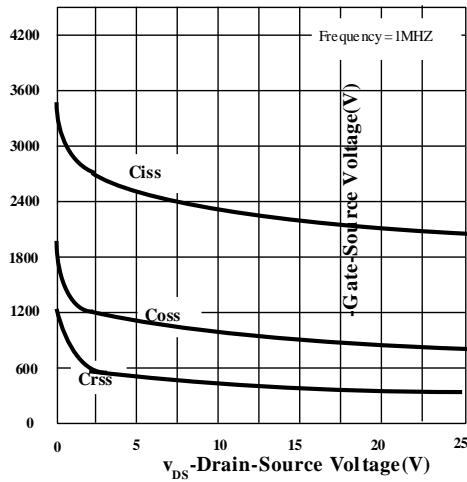


**Figure.5 Source- Drain Diode Forward**

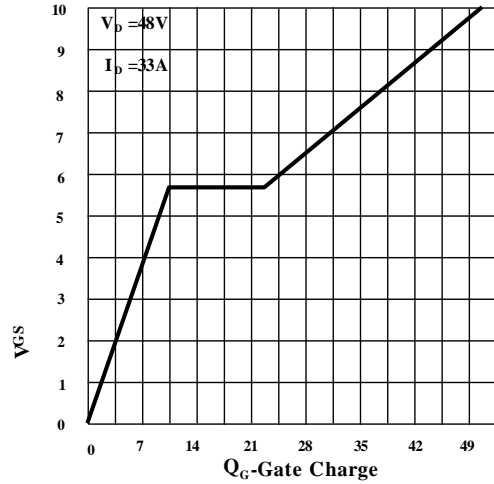


**Figure.6 Drain-Source On Resistance**

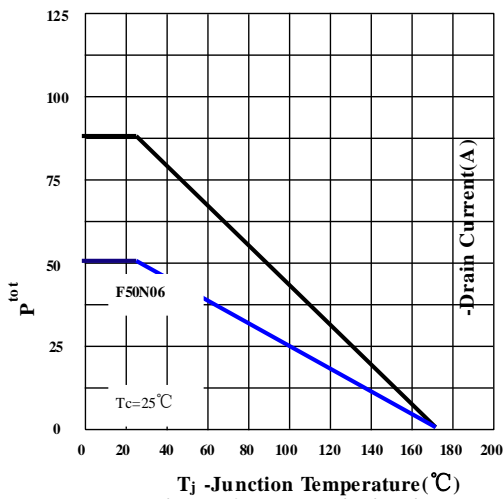
**5 Typical characteristics diagrams(continues)**



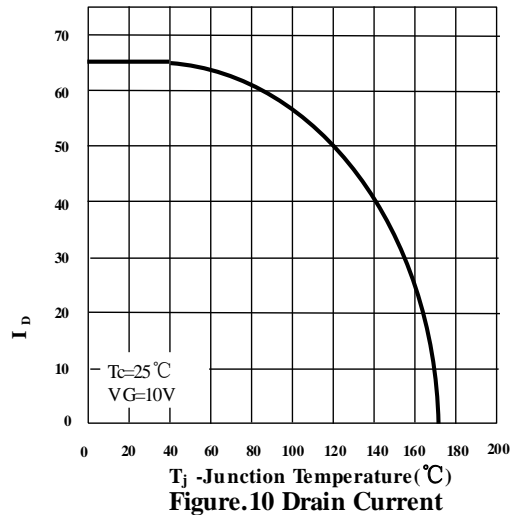
**Figure.7 Capacitance**



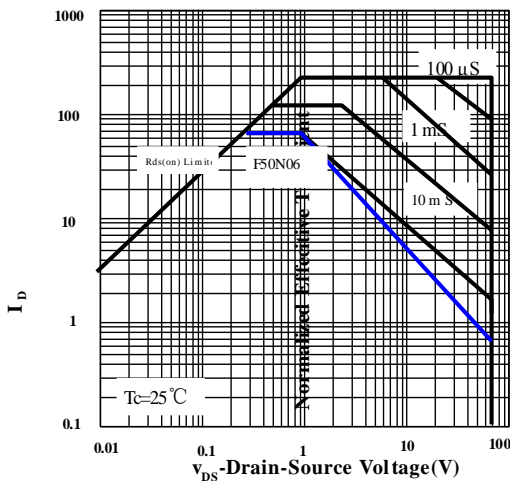
**Figure.8 Gate Charge**



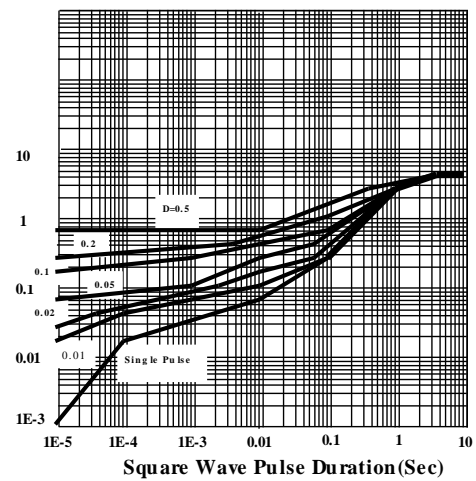
**Figure.9 Power Dissipation**



**Figure.10 Drain Current**

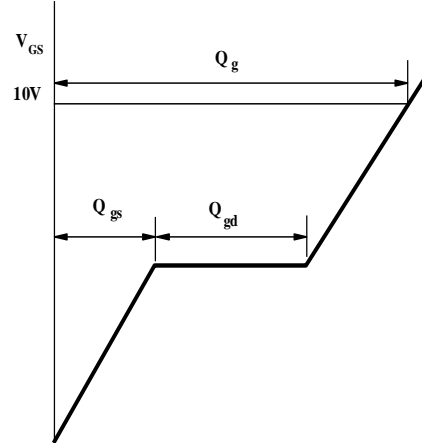
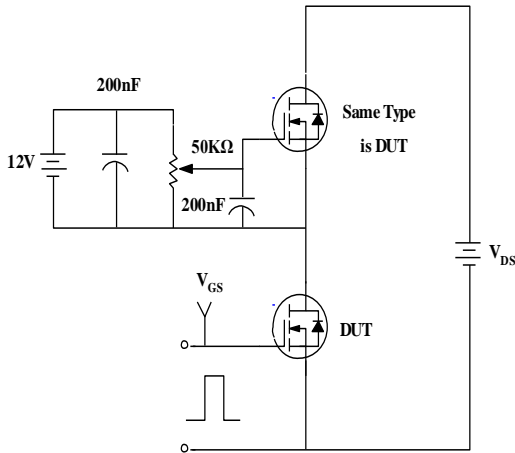


**Figure.11 Safe Operation Area**

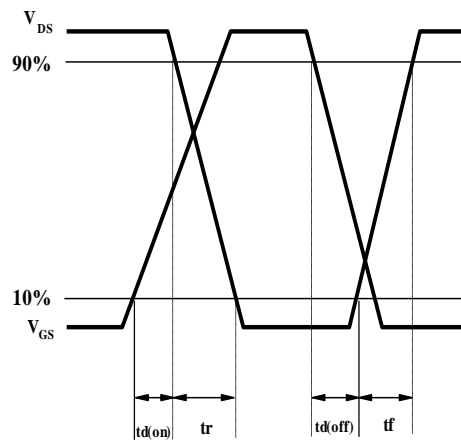
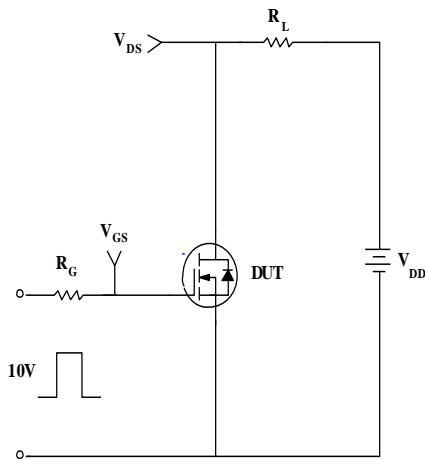


**Figure.12 Thermal Transient Impedance**

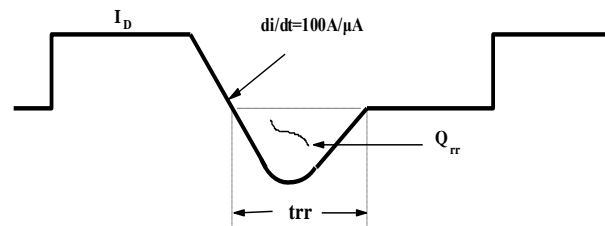
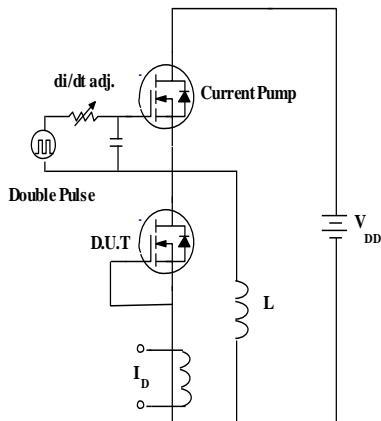
**6 Typical Test Circuit and Waveform**



**1) Gate Charge Test Circuit & Waveform**

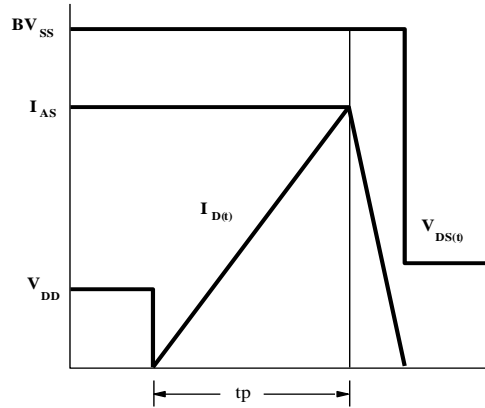
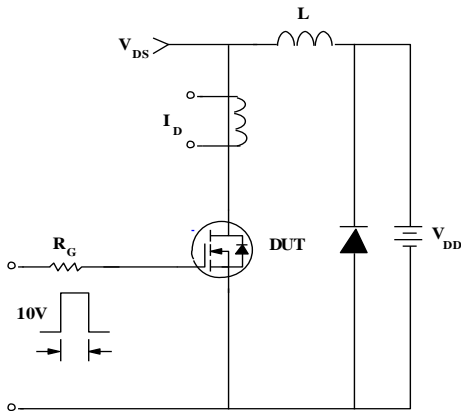


**2) Resistive Switching Test Circuit & Waveforms**



**3) Diode Reverse Recovery Test Circuit & Waveform**

**6 Typical Test Circuit and Waveform(continues)**



**4) Unclamped Inductive Switching Test Circuit & Waveforms**

**7 Product Names Rules**

**F X X N E X X**

**Packaging Code**  
220F: F    220: Nothing  
251: B    252: D  
262: I    263: E

**Rated Voltage Code**  
With 2 Digital, For Example:  
60 on behalf of 600V,  
06 on behalf of 60v

**Rated Current Code**  
With 1-2 Digital,  
For Example:  
4 on behalf of 4A,  
10 on behalf of 10A,  
08 on behalf of 0.8A

**Special Function Code**  
E on behalf of build-in ESD  
Nothing on behalf of not ESD

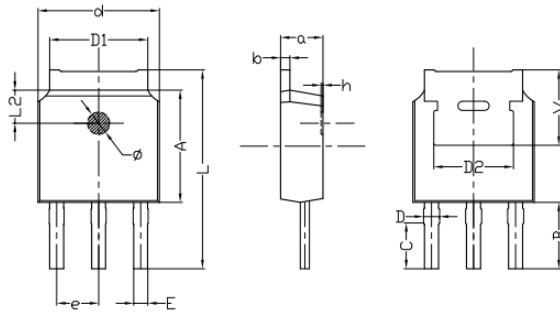
**Channel Polarity Code**  
N on behalf of N channel  
P on behalf of P channel

## 8 Product Specifications and Packaging Models

Product Model	Package Type	Mark Name	RoHS	Package	Quantity
50N06	TO-220C	50N06	Pb-free	Tube	1000/box
F50N06	TO-220F	F50N06	Pb-free	Tube	1000/box
B50N06	TO-251	B50N06	Pb-free	Tube	1000/box
D50N06	TO-252	D50N06	Pb-free	Tape & Reel	3000/box
I50N06	TO-262	I50N06	Pb-free	Tube	1000/box
E50N06	TO-263	E50N06	Pb-free	Tape & Reel	800/box

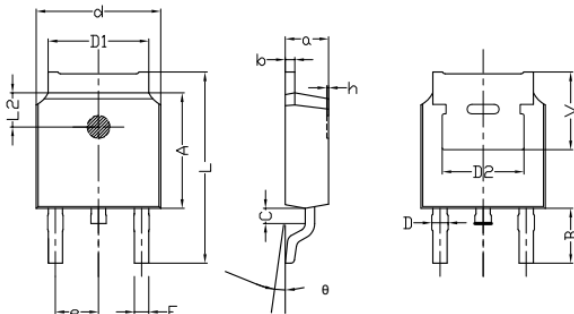
## 9 Dimensions

TO-251B PACKAGE OUTLINE DIMENSIONS

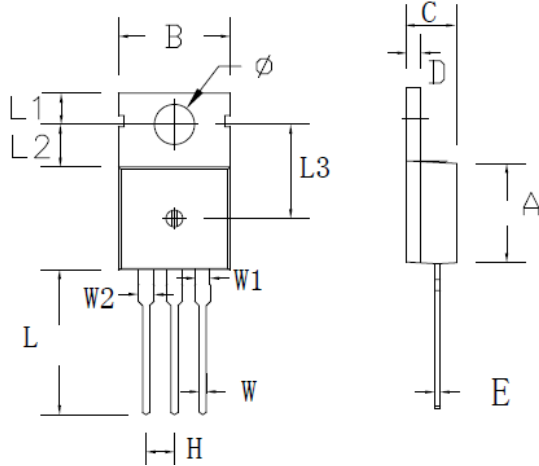


Symbol	Dimensions In Millimeters		Dimensions In Inches	
	min.	max.	min.	max.
a	2.20	2.40	0.087	0.0946
b	0.46	0.58	0.018	0.023
C	2.45	2.65	0.097	0.104
D	0.80	0.90	0.032	0.035
d	6.30	6.70	0.248	0.264
D1	5.00	5.50	0.197	0.217
D2	TYP 4.83		TYP 0.190	
A	5.80	6.20	0.228	0.244
e	2.19	2.39	0.086	0.094
L	10.40	11.00	0.4098	0.4334
B	3.50	3.70	0.1379	0.1458
L2	1.5	1.8	0.059	0.071
φ	1.10	1.30	0.0433	0.0512
h	0.00	0.30	0.000	0.012
V	5.25	5.85	0.207	0.230
E	0.60	0.80	0.0236	0.0315

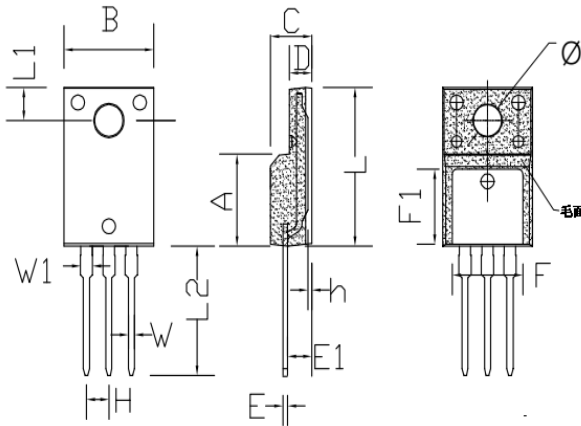
TO-252B PACKAGE OUTLINE DIMENSIONS



Symbol	Dimensions In Millimeters		Dimensions In Inches	
	min.	max.	min.	max.
a	2.20	2.40	0.087	0.095
b	0.46	0.58	0.018	0.023
c	0.70	0.90	0.028	0.035
D	0.80	1.00	0.032	0.039
d	6.30	6.70	0.248	0.264
D1	5.00	5.50	0.197	0.217
D2	TYP 4.83		TYP 0.190	
A	5.80	6.20	0.228	0.244
e	2.19	2.39	0.086	0.094
L	9.40	10.40	0.370	0.409
B	2.6	3.2	0.102	0.126
L2	1.5	1.8	0.059	0.071
θ	0	8	0	8
h	0	0.3	0	0.012
V	5.25	5.85	0.207	0.230

**9 Dimensions(continues)**
**TO-220C PACKAGE OUTLINE DIMENSIONS**


Symbol	Dimensions In Millimeters		Dimensions In Inches	
	min.	max.	min.	max.
A	8.80	9.30	0.346	0.366
B	9.70	10.30	0.382	0.406
C	4.25	4.75	0.167	0.187
D	1.20	1.45	0.047	0.057
E	0.40	0.60	0.016	0.024
H	2.54 TYP		0.100 TYP	
W	0.60	0.95	0.024	0.037
W1	1.05	1.45	0.041	0.057
W2	1.20	1.60	0.047	0.063
L	12.60	13.40	0.496	0.528
L1	2.45	2.95	0.096	0.116
L2	3.45	3.95	0.136	0.156
L3	8.15	8.65	0.321	0.341
φ	3.50	3.90	0.138	0.154

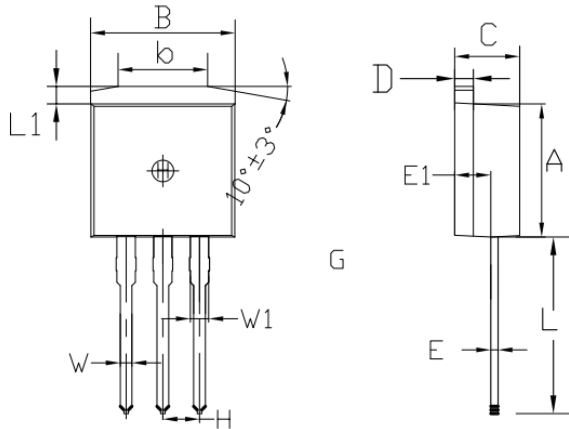
**TO-220F PACKAGE OUTLINE DIMENSIONS**


Symbol	Dimensions In Millimeters		Dimensions In Inches	
	min.	max.	min.	max.
A	8.80	9.30	0.346	0.366
B	10.00	10.50	0.394	0.413
C	4.30	4.90	0.169	0.193
D	2.30	2.70	0.091	0.106
L	15.55	16.15	0.612	0.636
h	0.40	0.60	0.016	0.024
L1	3.15	3.55	0.124	0.140
L2	12.65	13.35	0.498	0.526
W	0.70	0.90	0.028	0.035
W1	1.15	1.55	0.045	0.061
H	2.54 TYP		0.100 TYP	
E	0.48	0.53	0.019	0.021
φ	2.90	3.40	0.114	0.134
E1	2.40	2.90	0.094	0.114
F	7.75	8.25	0.305	0.325
F1	7.35	7.85	0.289	0.309



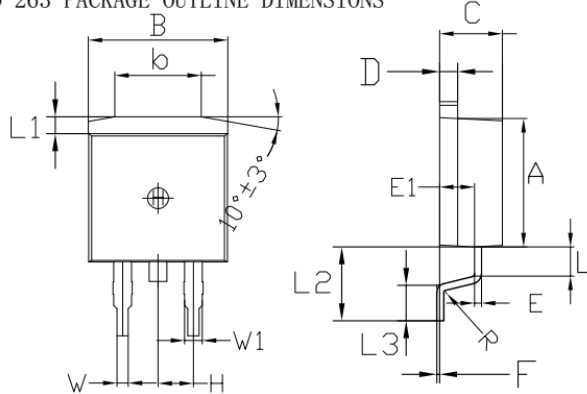
**9 Dimensions(continues)**

TO-262 PACKAGE OUTLINE DIMENSIONS



Symbol	Dimensions In Millimeters		Dimensions In Inches	
	min.	max.	min.	max.
A	8.80	9.30	0.346	0.366
B	9.70	10.30	0.382	0.406
C	4.25	4.75	0.167	0.187
D	1.20	1.45	0.047	0.057
E	0.40	0.60	0.016	0.024
L	12.25	13.75	0.482	0.541
L1	1.15	1.45	0.045	0.057
E1	2.4	2.6	0.0945	0.1024
W	0.80	0.82	0.0315	0.034
W1	1.20	1.30	0.047	0.051
H	2.54 TYP		0.200 TYP	
b	5.50	6.50	0.216	0.256

TO-263 PACKAGE OUTLINE DIMENSIONS



Symbol	Dimensions In Millimeters		Dimensions In Inches	
	min.	max.	min.	max.
A	8.80	9.30	0.346	0.366
B	9.70	10.30	0.382	0.406
C	4.25	4.75	0.167	0.187
D	1.20	1.45	0.047	0.057
E	0.40	0.60	0.016	0.024
L	1.90	2.30	0.075	0.091
L1	1.15	1.45	0.045	0.057
R	0.24	0.26	0.0095	0.0102
W	0.80	0.82	0.0315	0.0323
W1	1.20	1.30	0.047	0.051
H	2.54 TYP		0.200 TYP	
b	5.50	6.50	0.216	0.256
E1	2.4	2.6	0.0946	0.1024
L2	5.20	5.80	0.205	0.228
L3	2.20	3.20	0.087	0.126
F	0.03	0.23	0.0012	0.0091

## 10 Attentions

- ROUM Semiconductor Technology CO.,LTD. reserves the right to change the specification without prior notice! The customer should obtain the latest version of the information before making the order and verify that the information is complete and up to date.
- It is the responsibility of the purchaser for any failure or failure of any semiconductor product under certain conditions. It is the responsibility of the purchaser to comply with safety standards and to take safety measures in the system design and machine manufacturing of Roma products in order to avoid potential risk of failure. Injury or property damage.
- Product promotion is endless, our company will be dedicated to provide customers with better products.

## 11 Appendix

Revision history:

Date	REV.	Description	Page
2017.03.14	1.0	Original	