

Features

- 4V ~ 5.5V Input Range
- Programmable Operating Frequency
- Build-In Short Circuit Protection
- Build-In Over Voltage Protection
- Build-In Over Load Protection
- Programmable Protection Timer
- Fault Indicator Function
- Synchronous Operating Frequency
- Build-In Over Temperature Protection
- Available PWM Dimming Signal Input
- PSOP-8 Package
- Green Product (RoHS, Lead-Free, Halogen-Free Compliant)

Applications

- LCD TV
- Monitor
- Notebook PC

Typical Application

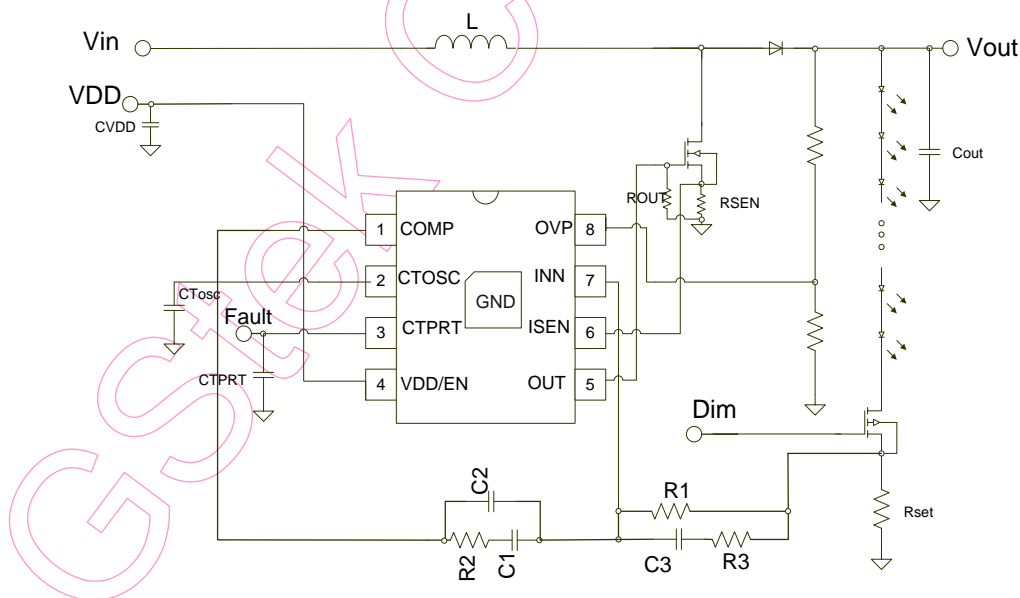


Figure 1 Typical Application of GS7006 for PSOP-8 package

This document is GStek's confidential information. Anyone having confidential obligation to GStek shall keep this document confidential. Any unauthorized disclosure or use beyond authorized purpose will be considered as violation of confidentiality and criminal and civil liability will be asserted.