

## Features

- Low Supply Current ~ 36uA (Typ.)
- Low Shutdown Current ~0.1uA (Typ.)
- Output Current ~150mA
- High Power Supply Rejection Ratio ~78db@1KHz
- 1.7~6.5V Operation
- ±1.0% Initial Voltage Accuracy
- Low Temperature Drift Coefficient ~50ppm
- Line Regulation ~0.02%/V(Typ.)
- Low ESR Capacitor ~0.47uF ceramic capacitor
- uDFN4-1x1、SOT-23-5、SC-82、MSOT-23 package
- Green Product (RoHS, Lead-Free, Halogen-Free Compliant)

## Applications

- Portable communication equipment
- Notebook Computer
- Battery Powered Systems

## Typical Application

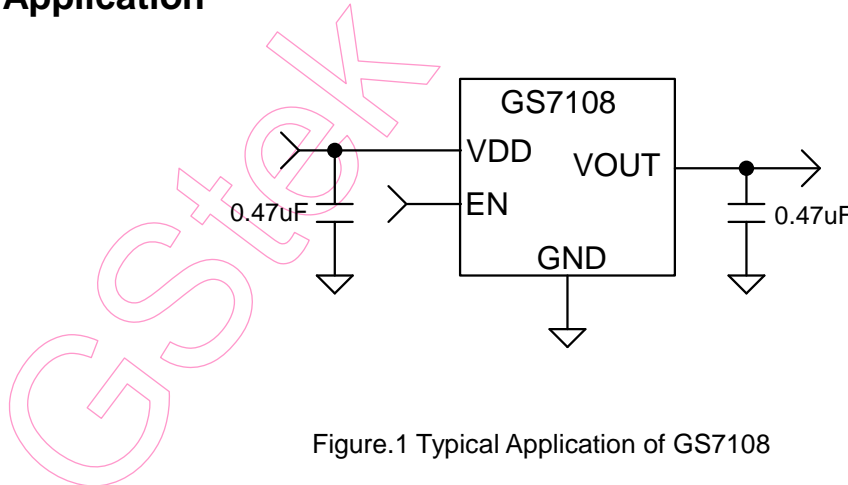


Figure.1 Typical Application of GS7108

## General Description

The GS7108 is a CMOS linear regulator. It is featuring ultra-high power supply rejection ratio, low output voltage noise, low dropout voltage, low quiescent current and fast transient response. It guarantees delivery of 150mA output current, and supports preset 1.2V, 1.3V, 1.5V, 1.8V, 1.85V, 1.9V, 2.0V, 2.3V, 2.5V, 2.6V, 2.7V, 2.8V, 2.85V, 2.9V, 3.0V, 3.1V, 3.3V, 3.8V, 4.0V, 4.2V, 4.5V, 4.75V, 4.8V, 5.0V output voltage versions.

Based on its low quiescent current consumption and its less than 1uA shutdown mode, the GS7108 is ideal for battery- powered applications. The high power supply rejection ratio of the GS7108 holds well for low input voltages typically encountered in battery- operated systems. The regulator is stable with small ceramic capacitive loads (0.47μF typical).