

Features

- Controller of ACPI-Compliant 5VDUAL Voltage
- Internal Soft Start Control
- Build In POR Protect
- 100uA Quiescent Supply Current
- TDFN8-2x2, TDFN8-3x3 Package
- Green Product (RoHS, Lead-Free, Halogen-Free Compliant)

Applications

- ACPI-Compliant 5VDUAL Voltage Controller for Motherboard

General Description

The GS7611 is a power switch controller used to provide 5VDUAL voltage for modern motherboards. It controls the switches to provide 5VDUAL. In active state, ATX/BTX 5VCC provides the output voltage through an NMOS transistor, in S3 sleep state, ATX/BTX 5VSB provides the output voltage through a PMOS transistor. In S4/S5 state, a MODE pin decides whether 5VDUAL is shut down or stays on. Soft start function is implemented to limit inrush current from 5VSB supply.

Typical Application

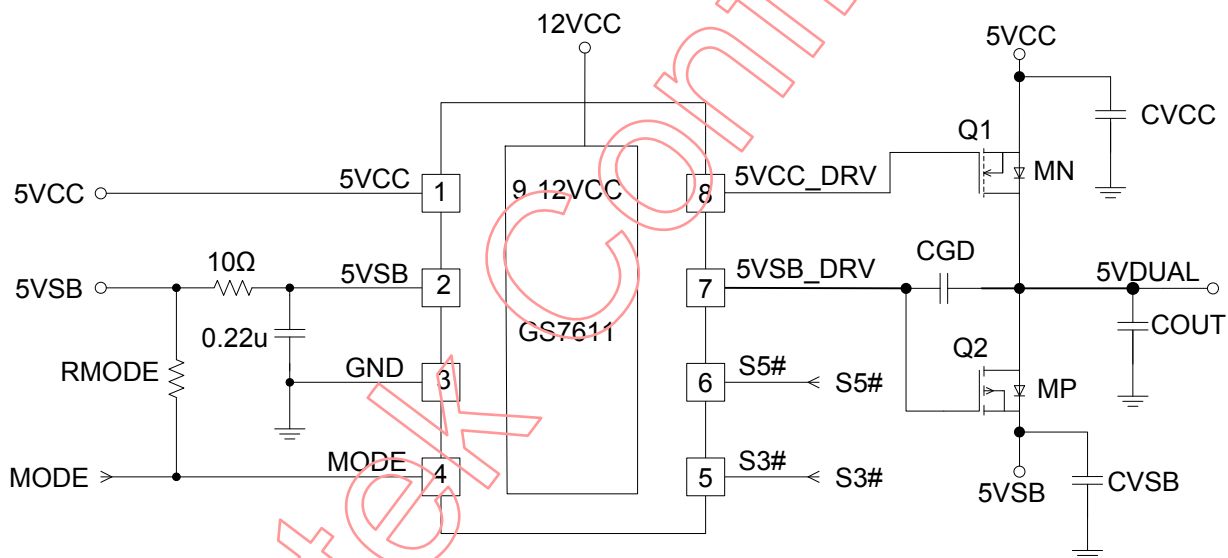


Figure 1 Typical Application of GS7611