

Features

- 2.0V to 5.5V Input Voltage Range
- Integrated NMOSFET $R_{DS(ON)}=80m\Omega$ (typ.)
- 400us Typical Rise Time and Fast Turn off
- 40uA Quiescent Supply Current
- Less Than 2uA Shutdown Current
- Less Than 10uA Reverse Leakage Current
- SOT23-5,SOT-23-6, SOP-8, MSOP-8 and MSOP-8 PP Package
- Green Product (RoHS, Lead-Free, Halogen-Free Compliant)
- UL Approved: E470137
- TuV Approved: R 50294830
- CB Approved: JPTUV-059186

Applications

- Notebook and Desktop PCs
- PDAs/Smart phones
- Digital Cameras

Typical Application

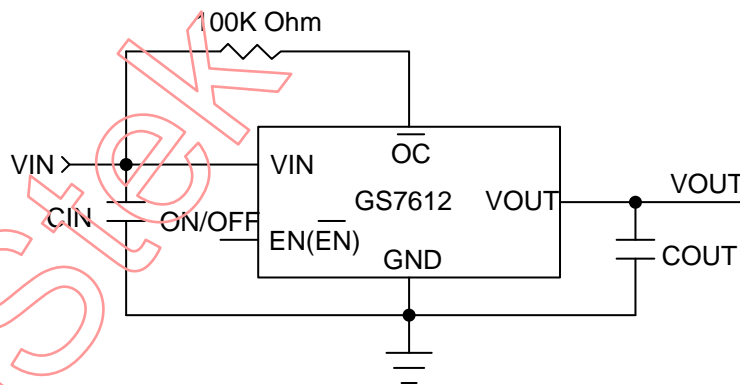


Figure 1 Typical application of GS7612

General Description

The GS7612 Power Switch is a fast turn on power Switch; the typical rise time is 400us. This device contains a NMOSFET that can operate over an input voltage range of 2.0V to 5.5V. Several Protection features include soft start function to limit inrush current, current limiting and thermal shutdown to prevent catastrophic switch failure caused by increasing power dissipation when continuous heavy loads or short circuit occurs.

This document is GStek's confidential information. Anyone having confidential obligation to GStek shall keep this document confidential. Any unauthorized disclosure or use beyond authorized purpose will be considered as violation of confidentiality and criminal and civil liability will be asserted.