

### Typical Features

- ◆ Fixed input voltage, Isolated & unregulated output, Output power 2W
- ◆ High Efficiency up to 79%
- ◆ Small compact SIP packing
- ◆ No external component required
- ◆ Isolation Voltage 1500VDC
- ◆ Operating Temperature: -40℃~+85℃
- ◆ Plastic Case, meet UL94-V0 standard



**Test Condition:** Unless otherwise specified, data in the datasheet should be tested under the conditions of inputting nominal voltage, pure resistance rated load and Ta=25℃

### Application Field

It could be widely used for instrument, communication, pure digital circuit, general low frequency analog circuit, relay drive circuit, data exchange circuit, etc.

### Typical Product List

Model	Input Voltage Range (VDC)		Output Voltage/ Current (Vo/Io)		Input Current(mA) Nominal Voltage		Max. Capacitive Load uF	Ripple & Noise (Max.) mVp-p	Efficiency (%)full load, input nominal voltage	
	Nominal	Range	Voltage (VDC)	Current(mA) MAX./Min.	Full load Typ.	No Load Typ.			Min.	Typ.
FN2-05D05CN	5	4.5 - 5.5	±5	±200	519	50	100	150	75	77
FN2-05D09CN			±9	±110	513	50	47	150	76	78
FN2-05D12CN			±12	±83	513	50	47	150	76	78
FN2-05D15CN			±15	±67	506	50	47	150	77	79
FN2-12D05CN	12	10.8 - 13.2	±5	±200	214	18	100	150	76	78
FN2-12D09CN			±9	±110	211	18	47	150	77	79
FN2-12D12CN			±12	±83	211	18	47	150	77	79
FN2-12D15CN			±15	±67	216	18	47	150	75	77
FN2-24D05CN	24	21.6 - 26.4	±5	±200	108	18	100	150	75	77
FN2-24D09CN			±9	±110	107	18	47	150	83	85
FN2-24D12CN			±12	±83	105	18	47	150	84	86
FN2-24D15CN			±15	±67	105	18	47	150	85	87

**Note:**

- In order to ensure the converter can work reliably with high efficiency, the minimum load should not less than 10% rated load when it is used. If the needed power is indeed small, please parallel a resistor at the output side, the resistance recommended equal to 10% nominal power.
- The capacitive loads of positive and negative outputs are identical.

**Input Specifications**

Item	Working Conditions	Min.	Typ.	Max.	Unit
Input Overshoot Voltage (1Second.max.)	5Vdc Input	-0.7	--	9	VDC
	12Vdc Input	-0.7	--	18	
	24Vdc Input	-0.7	--	30	
Input Filter	Capacitor Filter				

**Output Specifications**

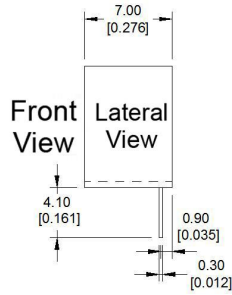
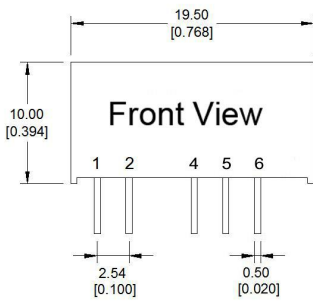
Item	Working Conditions	Min.	Typ.	Max.	Unit
Output Power		0.2	--	2	W
Output Voltage Accuracy	Nominal input, Full load	--	±2	±5	%
Load Regulation	10% ~ 100% nominal load	--	--	15	
Line Voltage Regulation	Input Voltage Change±1%	--	--	±1.2	
Ripple & Noise①	Nominal input,full load, 20MHZ bandwidth	--	100	150	mVp-p
Temperature Drift Coefficient	100% Full Load	--	--	±0.03	%/°C
Output Short Circuit Protection	Continuous short-circuit protection, self-recovery				

NOTE:①Ripple & Noise tested by twisted-pair method;

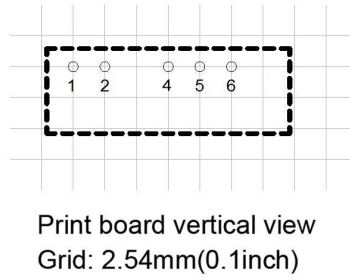
**General Specifications**

Switching Frequency	Typical	100KHz (Typ.)
Operating Temperature	Refer to Temperature Derating Curve	-40°C ~ +85°C
Storage Temperature		-55°C ~ +125°C
Shell temperature rise during work	Within Temperature Derating Curve	25°C
Relative Humidity	No condensing	5%~95%
Case Material		Black flame-retardant heat-resistant Plastic(UL94-V0)
Product Weight		3g (Typ.)
Isolation Voltage	Test 1 minute, leakage current< 0.5mA	1500Vdc ≤ 0.5mA / 1min
Isolation Capacitor	Input/Output,100KHz/0.1V	20 pF (Typ.)
MTBF	MIL-HDBK-217F@25°C	35X10 <sup>5</sup> Hrs

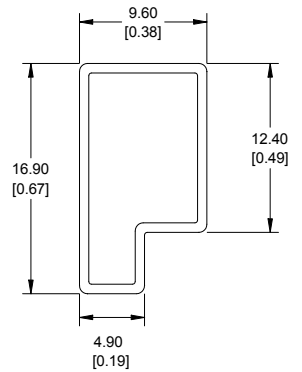
/

**Packing Dimension**


Unit: mm  
 General tolerance: 0.xx±0.1(0.xx±0.004)  
 Pin section tolerances: ±0.25(0.xx±0.01)



Print board vertical view  
 Grid: 2.54mm(0.1inch)



Note:  
 Unit: mm[inch]  
 General tolerance: x.xx±0.5mm[x.xx±0.020 inch]  
 x.x±0.2mm[x.x±0.008 inch]

Packing Code	L x W x H	
C	19.50×7.00 × 10.00mm	0.768 × 0.276 × 0.394inch

**Pin Function**

Pin Function	1	2	3	4	5	6
Dual(D)	+Vin	GND	--	-Vo	COM	+Vo

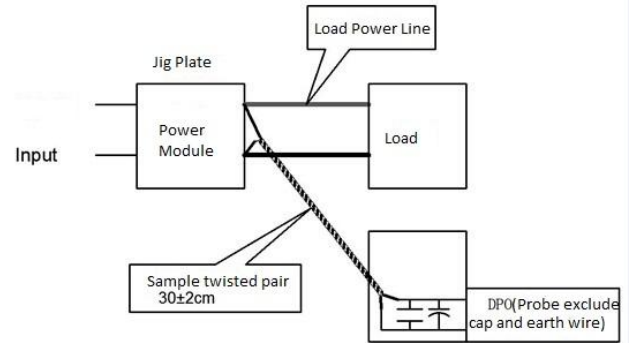
Note: if the definition of pin is not in accordance with the model selection manual, please refer to the label on actual item.

**Ripple & Noise Test: (Twisted Pair Method 20MHZ bandwidth)**

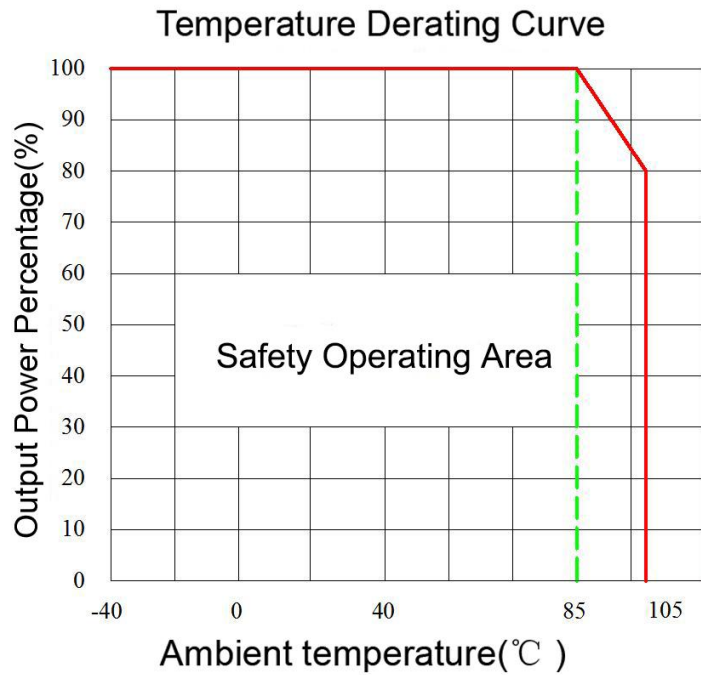
Test Method:

a. 12# twisted pair to connect, Oscilloscope bandwidth set as 20MHz, 100M bandwidth probe, terminated with 0.1uF polypropylene capacitor and 10uF high frequency low resistance electrolytic capacitor in parallel, oscilloscope set as Sample pattern.

b. Input terminal connect to power supply, output terminal connect to electronic load through jig plate, Use 30cm±2 cm sampling line, Power line selected from corresponding diameter wire with insulation according to the flow of output current.



/

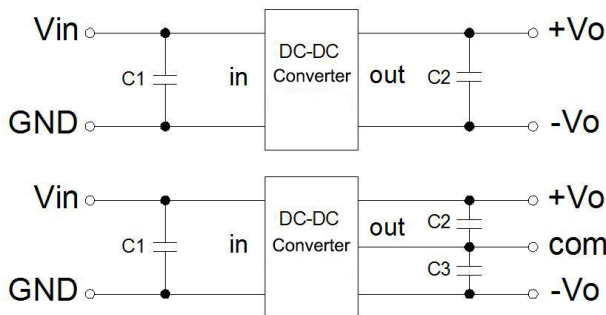
**Temperature Curve**

**Design and Application Circuit Recommended**
**1. Output load requirements**

a. In order to ensure the converter can work reliably with high efficiency, the minimum load should not less than 10% rated load when it is used. If the needed power is indeed small, please parallel a resistor at the output side, the resistance equal to 10% nominal load.

b. The maximum capacitive load is tested under nominal input full load, and cannot exceed the maximum capacitive load of output terminal under operation, otherwise it will cause it difficult to start up and damage the product.

**2. Recommended circuit**

In order to ensure the input/output ripple and noise decreased, capacitor filter net could be connected to input and output terminal, application circuit as below photo 1; choosing suitable filter capacitor is very important, start-up problems may be caused by too large capacitance. To ensure the modules running safely and reliably, the recommended capacitive load values as shown in Table 1. (But for the actual output power of application circuit is less than 0.5W, suggest not to connect external capacitor)

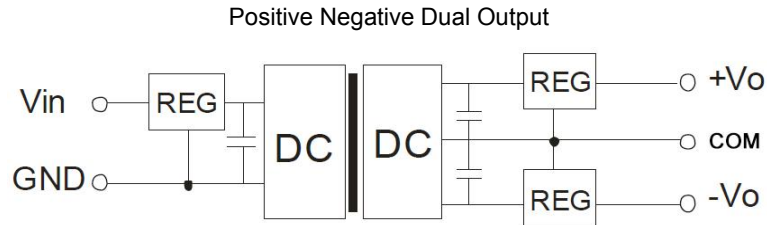


Recommended capacitive load value (Table 1)

Vin (Vdc)	C1 (μF)	Vout (Vdc)	C2 (μF)	Vout (Vdc)	C2, C3 (μF)
3.3/5	4.7	3.3/5	10	±3.3/±5	4.7
12	2.2	9	4.7	±9	2.2
15	1	12	2.2	±12	1
24	1	15	1	±15	0.47
--	--	24	0.47	±24	0.22

### 3. Output regulated voltage and over voltage protection circuit

The simplest device to protect output regulated voltage, over voltage and over current is to cascade a linear regulator with overheat protection at input or output terminal, and connect a capacitor filter net(see below picture), filter capacitive value recommended see table 1, Linear regulator is chosen according to the actual voltage, current needed in working, or choose our NW series products.



**Note:**

- 1.This product cannot be used in parallel, and do not support hot-plugging;
- 2.If the product works below the minimum required load, it cannot guarantee that the product performance meets all performance indicators in this manual;
3. All index testing methods in this datasheet are based on our Company's corporate standards
4. The product specification may be changed at any time without prior notice.