

HC89F0541/0531

Datasheet

**32/28/20 Pin 8bit
FLASH Microcontroller with ADC
Peripheral function Ports total mapping**

Contents

1	Description.....	6
1.1	Features.....	6
1.2	System diagram	8
1.3	Pin configuration	9
1.4	Pin description	11
1.5	Peripheral function Ports total mapping module control	16
2	CPU.....	18
2.1	CPU characteristics.....	18
2.2	CPU registers.....	18
3	Memory.....	20
3.1	The program memory(flash).....	20
3.2	Data storage (RAM)	27
3.3	Special function registers (SFR).....	28
4	The system clock.....	32
4.1	Characteristics of the system clock.....	32
4.2	System clock registers	32
5	Power management.....	37
5.1	Power management characteristics.....	37
5.2	Idle mode.....	37
5.3	Power-down mode	37
5.4	Power management registers	38
6	Reset.....	39
6.1	Reset characteristics.....	39
6.2	POR (Power-on reset).....	39
6.3	BOR (Brown-out reset).....	39
6.4	External reset	39
6.5	External port low-voltage detection reset	39
6.6	Software reset	40
6.7	Watchdog (WDT) reset.....	40
6.8	Stack overflow reset	40
6.9	Reset registers.....	40
7	General and multiplexed I/O.....	43
7.1	General and multiplexed I/O characteristics Features	43
7.2	I/O mode.....	43
7.3	I/O port registers	43
7.4	Peripheral function Ports total mapping control	49
8	Interrupt.....	51

8.1	Interrupt characteristics.....	51
8.2	Interrupt summary	51
8.3	Interrupt vectors.....	51
8.4	Interrupt priority	51
8.5	Interrupt handling	52
8.6	External interrupt	52
8.7	Interrupt registers.....	53
9	Timer/Counter.....	61
9.1	Timer/Counter characteristics	61
9.2	Timer/Counter Tx(x = 0,1).....	61
9.3	Timer 3.....	65
9.4	Timer/Counter 4.....	67
9.5	Timer 5.....	71
10	Pulse width modulation PWM.....	75
10.1	PWM Characteristics	75
10.2	PWM output mode.....	75
10.3	PWM registers	76
11	Single 8 bit PWM.....	87
11.1	PWM characteristics.....	87
11.2	PWM module registers	87
12	Watchdog timer WDT.....	89
12.1	WDT characteristics	89
12.2	WDT registers.....	89
13	Universal asynchronous transceiver UART.....	91
13.1	UART characteristics	91
13.2	Work mode.....	91
13.3	Baud rate generator.....	96
13.4	Multiprocessor communication	97
13.5	Frame error detection.....	98
13.6	UART1 registers	98
13.7	UART2.....	100
14	Serial peripheral interface SPI.....	105
14.1	SPI characteristics.....	105
14.2	SPI signal description	105
14.3	SPI clock rate.....	105
14.4	SPI functional block diagram	106
14.5	SPI work mode	106
14.6	SPI transfer form.....	107
14.7	SPI Error detection	108
14.8	SPI interrupt.....	108
14.9	SPI configuration table	109
14.10	SPI registers.....	110

15	IIC bus.....	112
15.1	IIC characteristics	112
15.2	IIC bus work principle	112
15.3	Bus data availability	113
15.4	Bus signal	113
15.5	Bus data Initialization format	114
15.6	IIC bus addressing appointment	115
15.7	Process of master write one byte to slave	115
15.8	IIC work mode	117
15.9	IIC bus registers	122
16	Analog to digital converter ADC.....	125
16.1	ADC characteristics	125
16.2	ADC registers	125
17	ADC conversion mode	127
17.1	Description.....	127
17.2	Conversion mode registers.....	127
18	Low voltage detection LVD	131
18.1	LVD characteristics.....	131
18.2	LVD registers.....	131
19	Software LCD.....	133
19.1	LCD characteristics	133
19.2	Software flow description.....	133
19.3	LCD frame	134
19.4	LCD registers.....	137
20	Cyclic redundancy check CRC	139
20.1	CRC characteristics	139
20.2	CRC registers.....	139
21	Code options	141
22	Electrical characteristics	142
22.1	Limit parameter	142
22.2	DC characteristics.....	142
22.3	AC characteristics.....	144
22.4	ADC characteristics	144
22.5	BOR detection voltage characteristics	145
22.6	LVD/PLVD detection voltage characteristics	145
22.7	LCD characteristics	145
22.8	Frequency - calibration value curve.....	146
22.9	Other electrical characteristics	146
23	Development tools	147
23.1	Emulator characteristics.....	147

23.2	Programmer tools.....	147
23.3	Software download	147
24	Package	148
24.1	QFN32	148
24.2	LQFP32	149
24.3	SOP28.....	149
24.4	SOP20.....	150
25	Reversion history.....	151

1 Description

HC89F0541/0531 is an enhanced 8 bit microcontroller with high frequency and low power consumption CMOS process. 32K bytes flash program memory, 256 bytes IRAM and 1K bytes XRAM, up to 30 bi-directional I/O, five 16-bit Timer/counters, 3 groups 12 bits complementary PWM with dead-time control, one 8 bits PWM, 2 UART, 1 SPI, 1 IIC, up to 26 external interrupts, 16+2 channels 12 bits ADC, 4 system work modes (normal, low frequency, power-down, idle) and 18 interrupt sources.

1.1 Features

- ◆ **CPU**
 - Enhanced 1T 8051 core
- ◆ **ROM**
 - 32K bytes flash
 - Support IAP and ICP operation
 - Support double lines and JTAG emulation
 - Flexible code protection mode
- ◆ **RAM**
 - 256 bytes IRAM
 - 1K bytes XRAM
- ◆ **Clock**
 - Internal high precision ($\pm 1\%$) 32MHz RC
 - Internal 44 KHz RC
 - External high frequency oscillator 4MHz-24MHz
 - External low frequency oscillator 32.768KHz
 - Multiple clock output
- ◆ **RESET**
 - Power on reset (POR)
 - Multistep low voltage reset (BOR) 4.2/3.9/3.6/3.0/2.6/2.4/2.0/1.8V
 - Watchdog Timer reset
 - Software reset
 - Stack overflow reset
 - External pin low voltage reset
 - External pin voltage (1.2V) detection reset
- ◆ **I/O**
 - Up to 30 bi-directional IO Open drain, pull-up, pull-down, SMT, input output, driving capacity configurable
 - Peripheral function Ports total mapping module PTM
 - all ports four drive capability configurable
 - All ports can be configured as 1/2bias, 1/3bias software LCD drive.
- ◆ **interrupt**
 - 18 interrupt sources
 - 4 level interrupt priorities
 - Up to 26 external interrupts
- ◆ **Timer/Counter**
 - T0/T1 compatible with standard 8051, 16-bit auto reload
 - T3 can run in power-down mode
 - T4 can be triggered by external signal
 - T5 with capture function
- ◆ **PWM**
 - Up to 3 groups 12 bits complementary PWM with dead-time control
 - Configurable 6 channels independent output
 - Can used as Timer
 - Malfunction detection function
 - 1 channel 8 bit PWM output
- ◆ **Communication interfaces**
 - 2 UART
 - 1 SPI
 - 1 IIC
- ◆ **Analog to digital converter (ADC)**
 - 12 bit ADC, up to 16+2 multiple channels
 - ADC reference voltage: internal VREF(2V/3V/4V), external VREF, and VDD
 - Support 5 convertor mode: single mode, continuous mode, continuous mode with buffer, single scan mode, continuous scan mode
- ◆ **Low voltage detection module**
 - Multilevel voltage detection with interrupt 4.2/3.9/3.6/3.0/2.6/2.4/2.0/1.9V
- ◆ **Cyclic redundancy check(CRC)**
- ◆ **Power saving mode**
 - Idle mode
 - power-down mode
- ◆ **Operating conditions**
 - Wide operating voltage 2.0V to 5.5V
 - Temperature range -40 °C to +85 °C
- ◆ **Package**
 - LQFP32/QFN32
 - SOP28/SOP20

✓ Selection table

✓ Device	ROM	RAM	Freq	I/O	CTK	AD	Timer	PWM	INT	WDT	LCD
HC89F0541	32K	256+1K	16MHz	30	/	16+2	5	3*2+1	26	1	Software LCD
HC89F0541	32K	256+1K	16MHz	26	/	16+2	5	3*2+1	26	1	Software LCD
HC89F0531	32K	256+1K	16MHz	18	/	14+2	5	3*2+1	18	1	Software LCD

Device	Voltage	TEMP	Package	Simulator	Programmer	Datasheet	Demo Code	Demo Board
HC89F0541	2.0~5.5V	-40~+85 °C	LQFP/QFN32	HC-LINK	HC-PM51	√	√	√
HC89F0541	2.0~5.5V	-40~+85 °C	SOP28	HC-LINK	HC-PM51	√	√	√
HC89F0531	2.0~5.5V	-40~+85 °C	SOP20	HC-LINK	HC-PM51	√	√	√

HC89F0541/0531 use attentions:

1. In order to ensure the system stability, user must connect a capacitor ($\geq 0.1\mu\text{F}$) between VDD and GND.
2. When user use ADC module, no matter what the reference voltage is selected, the system voltage VDD must above 2.7V.
3. When use double line emulation, P2.0/P2/3 only as digital input.

1.2 System diagram

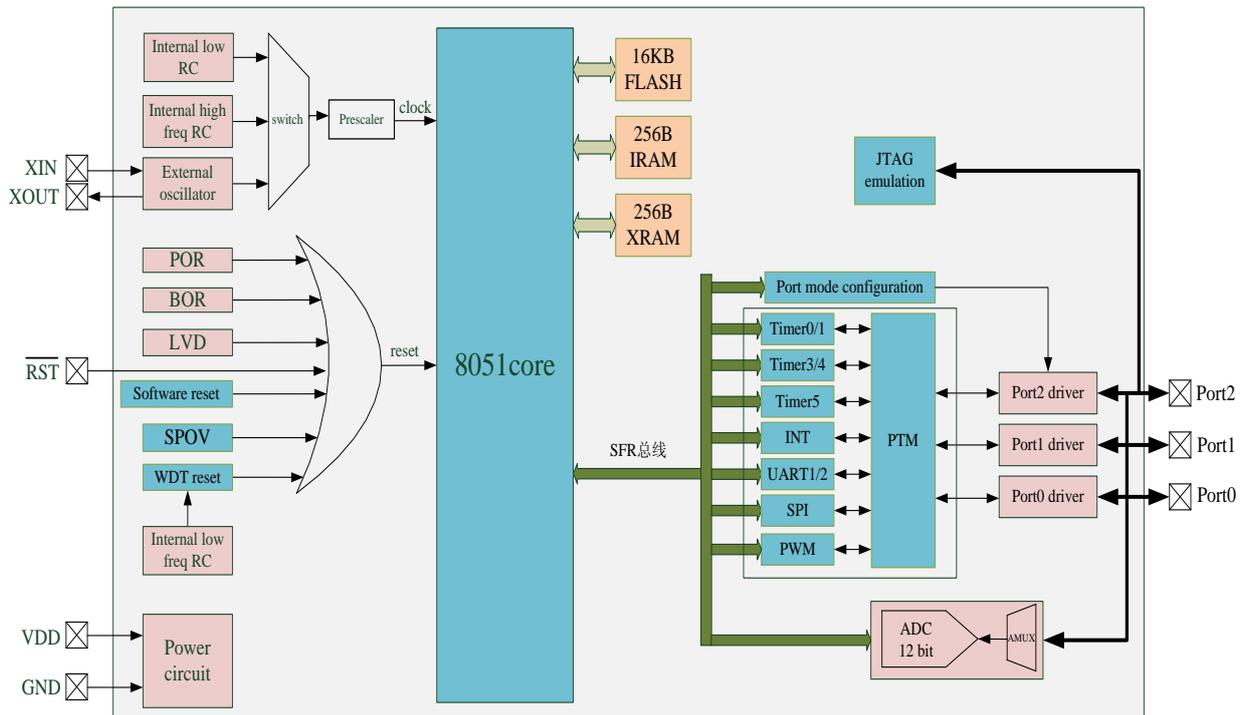


Figure 1-1 System diagram

1.3 Pin configuration

1.3.1 LQFP32/QFN3 Pin configuration

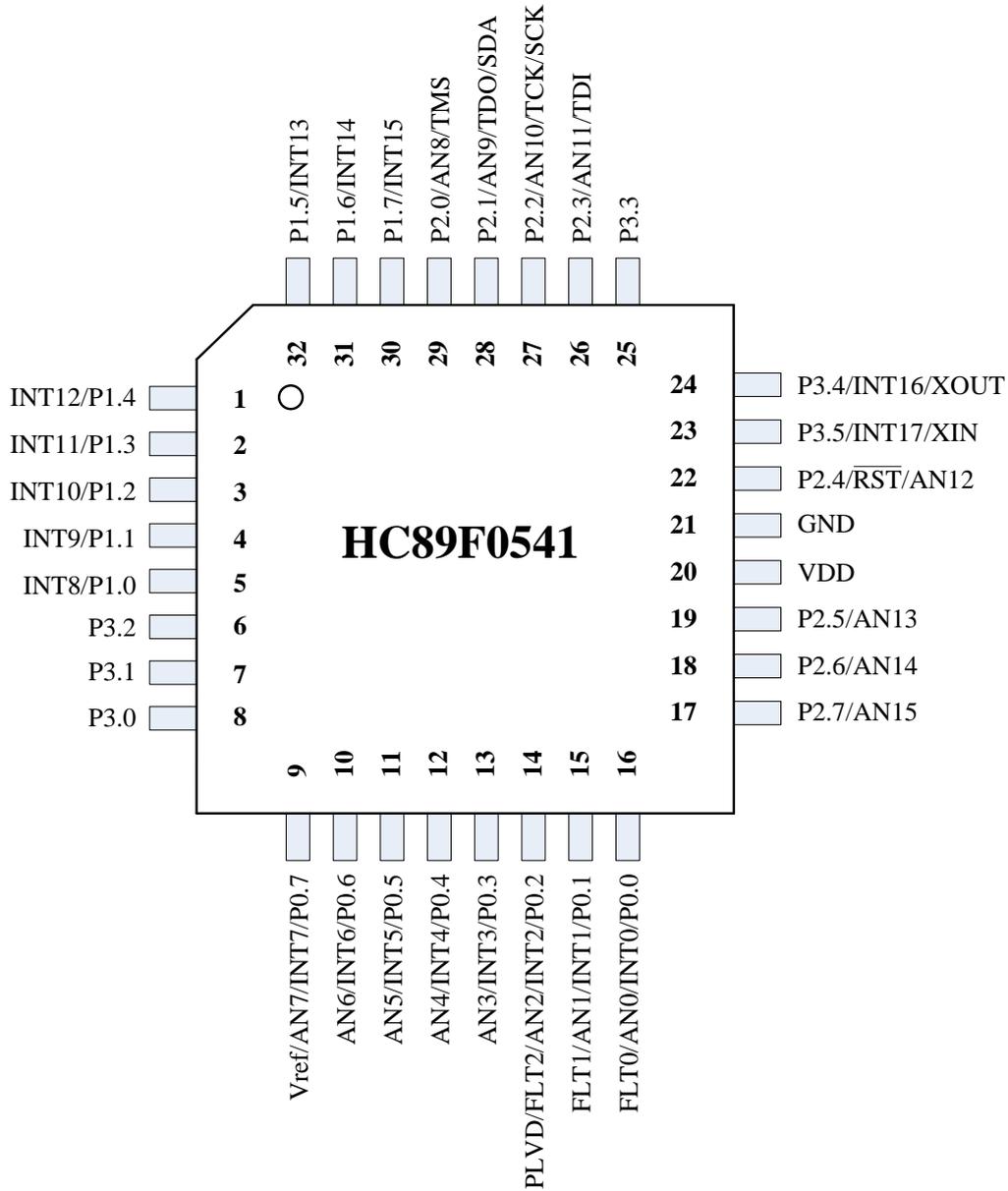


Figure 1-2 LQFP32/QFN32 pin configuration diagram

1.3.2 SOP28 Pin configuration

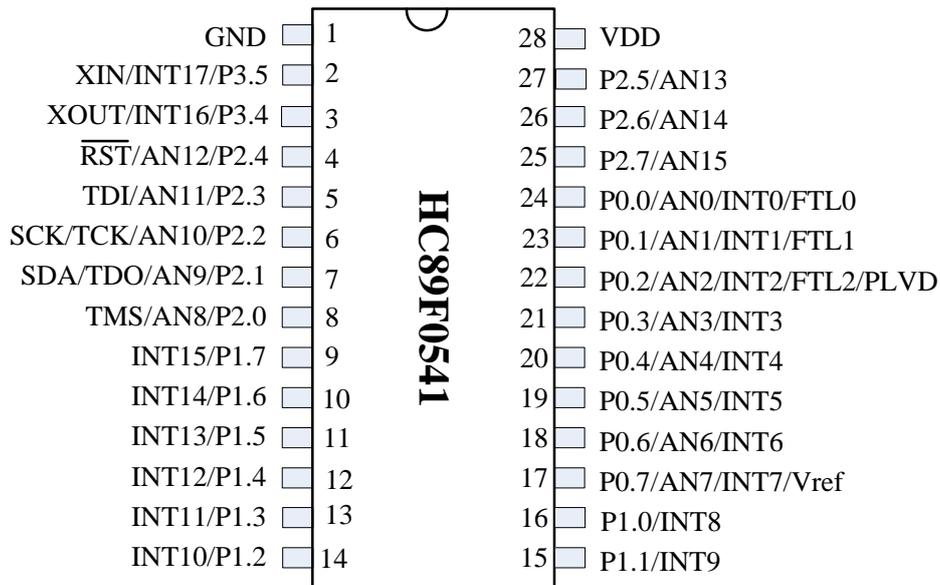


Figure 1-3 SOP28 pin configuration diagram

1.3.3 SOP20 Pin configuration

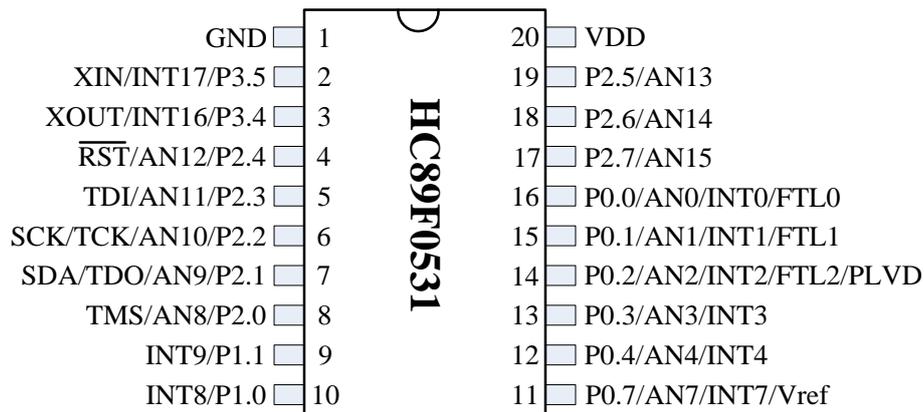


Figure 1-4 SOP20 pin configuration diagram

1.4 Pin description

1.4.1 LQFP32/QFN32 Pin configuration

Pin	Name	Type	Introductions
1	P1.4	I/O	Input/output port
	INT12	I	External interrupt 12, input port
2	P1.3	I/O	Input/output port
	INT11	I	External interrupt 11, input port
3	P1.2	I/O	Input/output port
	INT10	I	External interrupt 10, input port
4	P1.1	I/O	Input/output port
	INT9	I	External interrupt 9, input port
5	P1.0	I/O	Input/output port
	INT8	I	External interrupt 8 input port
6	P3.2	I/O	Input/output port
7	P3.1	I/O	Input/output port
8	P3.0	I/O	Input/output port
9	P0.7	I/O	Input/output port
	AN7	AN	ADC7 input port
	INT7	I	External interrupt 7 input port
	Vref	AN	ADC externalreference voltage input/output port
10	P0.6	I/O	Input/output port
	AN6	AN	ADC6 input port
	INT6	I	External interrupt 6 input port
11	P0.5	I/O	Input/output port
	AN5	AN	ADC5 input port
	INT5	I	External interrupt 5 input port
12	P0.4	I/O	Input/output port
	AN4	AN	ADC4 input port
	INT4	I	External interrupt 4 input port
13	P0.3	I/O	Input/output port
	AN3	AN	ADC3 input port
	INT3	I	External interrupt 3 input port
14	P0.2	I/O	Input/output port
	AN2	AN	ADC2 input port
	INT2	I	External interrupt 2 input port
	FLT2	I	PWM2 fault detection input Pin
15	PLVD	AN	Port low voltage detection Pin
	P0.1	I/O	Input/output port
	AN1	AN	ADC1 input port
	INT1	I	External interrupt 1 input port
16	FLT1	I	PWM1 fault detection input Pin
	P0.0	I/O	Input/output port
16	AN0	AN	ADC0 input port
	INT0	I	External interrupt 0 input port

	FLT0	I	PWM0 fault detection input Pin
17	P2.7	I/O	Input/output port
	AN15	AN	ADC15 input port
18	P2.6	I/O	Input/output port
	AN14	AN	ADC14 input port
19	P2.5	I/O	Input/output port
	AN13	AN	ADC13 input port
20	VDD	P	Power input
21	GND	P	Ground
22	P2.4	I/O	Input/output port
	$\overline{\text{RST}}$	I	External reset input port
	AN12	AN	ADC12 input port
23	P3.5	I/O	Input/output port
	INT17	I	External interrupt 17 input port
	XIN	AN	External oscillator input port
24	P3.4	I/O	Input/output port
	INT16	I	External interrupt 16 input port
	XOUT	AN	External oscillator output port
25	P3.3	I/O	Input/output port
26	P2.3	I/O	Input/output port
	AN11	AN	ADC11 input port
	TDI	I	JTAG data input
27	P2.2	I/O	Input/output port
	AN10	AN	ADC10 input port
	TCK	I	JTAG clock input
	SCK	O	Double mode clock input
28	P2.1	I/O	Input/output port
	AN9	AN	ADC9 input port
	TDO	O	JTAG data output
	SDA	I/O	Double mode data input/output
29	P2.0	I/O	Input/output port
	AN8	AN	ADC9 input port
	TMS	I	JTAG mode input
30	P1.7	I/O	Input/output port
	INT15	I	External interrupt 15 input port
31	P1.6	I/O	Input/output port
	INT14	I	External interrupt 14 input port
32	P1.5	I/O	Input/output port
	INT13	I	External interrupt 13 input port

Note: I = Input, O = Output, I/O = Input/output, P = Power, AN = Analog input/output.

1.4.2 SOP28 Pin configuration

Pin	Name	Type	Introductions
1	GND	P	Ground
2	P3.5	I/O	Input/output port
	INT17	I	External interrupt 17 input port
	XIN	AN	External oscillator input port
3	P3.4	I/O	Input/output port
	INT16	I	External interrupt 16 input port
	XOUT	AN	External oscillator output port
4	P2.4	I/O	Input/output port
	$\overline{\text{RST}}$	I	External reset input port
	AN12	AN	ADC12 input port
5	P2.3	I/O	Input/output port
	AN11	AN	ADC11 input port
	TDI	I	JTAG data input
6	P2.2	I/O	Input/output port
	AN10	AN	ADC10 input port
	TCK	I	JTAG clock input
	SCK	O	Double mode clock input
7	P2.1	I/O	Input/output port
	AN9	AN	ADC9 input port
	TDO	O	JTAG data output
	SDA	I/O	Double mode data input/output
8	P2.0	I/O	Input/output port
	AN8	AN	ADC9 input port
	TMS	I	JTAG mode input
9	P1.7	I/O	Input/output port
	INT15	I	External interrupt 15 input port
10	P1.6	I/O	Input/output port
	INT14	I	External interrupt 14 input port
11	P1.5	I/O	Input/output port
	INT13	I	External interrupt 13 input port
12	P1.4	I/O	Input/output port
	INT12	I	External interrupt 12, input port
13	P1.3	I/O	Input/output port
	INT11	I	External interrupt 11, input port
14	P1.2	I/O	Input/output port
	INT10	I	External interrupt 10, input port
15	P1.1	I/O	Input/output port
	INT9	I	External interrupt 9, input port
16	P1.0	I/O	Input/output port
	INT8	I	External interrupt 8, input port
17	P0.7	I/O	Input/output port
	AN7	AN	ADC7 input port

	INT7 Vref	I AN	External interrupt 7 input port ADC external reference voltage input/output port
18	P0.6 AN6 INT6	I/O AN I	Input/output port ADC6 input port External interrupt 6 input port
19	P0.5 AN5 INT5	I/O AN I	Input/output port ADC5 input port External interrupt 5 input port
20	P0.4 AN4 INT4	I/O AN I	Input/output port ADC4 input port External interrupt 4 input port
21	P0.3 AN3 INT3	I/O AN I	Input/output port ADC3 input port External interrupt 3 input port
22	P0.2 AN2 INT2 FLT2 PLVD	I/O AN I I AN	Input/output port ADC2 input port External interrupt 2 input port PWM2 fault detection input Pin Port low voltage detection Pin
23	P0.1 AN1 INT1 FLT1	I/O AN I I	Input/output port ADC1 input port External interrupt 1 input port PWM1 fault detection input Pin
24	P0.0 AN0 INT0 FLT0	I/O AN I I	Input/output port ADC0 input port External interrupt 0 input port PWM0 fault detection input Pin
25	P2.7 AN15	I/O AN	Input/output port ADC15 input port
26	P2.6 AN14	I/O AN	Input/output port ADC14 input port
27	P2.5 AN13	I/O AN	Input/output port ADC13 input port
28	VDD	P	Power input

Note: I = Input, O = Output, I/O = Input/output, P = Power, AN = Analog input/output.

1.4.3 SOP20 Pin configuration

Pin	Name	Type	Introductions
1	GND	P	Ground
2	P3.5	I/O	Input/output port
	INT17	I	External interrupt 17 input port
	XIN	AN	External oscillator input port
3	P3.4	I/O	Input/output port
	INT16	I	External interrupt 16 input port
	XOUT	AN	External oscillator output port
4	P2.4	I/O	Input/output port
	$\overline{\text{RST}}$	I	External reset input port
	AN12	AN	ADC12 input port
5	P2.3	I/O	Input/output port
	AN11	AN	ADC11 input port
	TDI	I	JTAG data input
6	P2.2	I/O	Input/output port
	AN10	AN	ADC10 input port
	TCK	I	JTAG clock input
	SCK	O	Double mode clock input
7	P2.1	I/O	Input/output port
	AN9	AN	ADC9 input port
	TDO	O	JTAG data output
	SDA	I/O	Double mode data input/output
8	P2.0	I/O	Input/output port
	AN8	AN	ADC9 input port
	TMS	I	JTAG mode input
9	P1.1	I/O	Input/output port
	INT9	I	External interrupt 9, input port
10	P1.0	I/O	Input/output port
	INT8	I	External interrupt 8, input port
11	P0.7	I/O	Input/output port
	AN7	AN	ADC7 input port
	INT7	I	External interrupt 7 input port
	Vref	AN	ADC external reference voltage input/output port
12	P0.4	I/O	Input/output port
	AN4	AN	ADC4 input port
	INT4	I	External interrupt 4 input port
13	P0.3	I/O	Input/output port
	AN3	AN	ADC3 input port
	INT3	I	External interrupt 3 input port
14	P0.2	I/O	Input/output port
	AN2	AN	ADC2 input port
	INT2	I	External interrupt 2 input port
	FLT2	I	PWM2 fault detection input Pin

	PLVD	AN	Port low voltage detection Pin
15	P0.1	I/O	Input/output port
	AN1	AN	ADC1 input port
	INT1	I	External interrupt 1 input port
	FLT1	I	PWM1 fault detection input Pin
16	P0.0	I/O	Input/output port
	AN0	AN	ADC0 input port
	INT0	I	External interrupt 0 input port
	FLT0	I	PWM0 fault detection input Pin
17	P2.7	I/O	Input/output port
	AN15	AN	ADC15 input port
18	P2.6	I/O	Input/output port
	AN14	AN	ADC14 input port
19	P2.5	I/O	Input/output port
	AN13	AN	ADC13 input port
20	VDD	P	Power input

Note: I = Input, O = Output, I/O = Input/output, P = Power, AN = Analog input/output.

1.5 Peripheral function Ports total mapping module control

HC89F0541/0531 has Peripheral function Ports total mapping module internal, by software user can configure most peripheral function to arbitrary port except power port (VDD, GND).

1.5.1 PTM module characteristics

- When set peripheral port as input (T0/1/3/5 external input, RXD and so on) function, system permit multi to one mapping, that is multi-input peripheral functions port are distributed the same IO, the method will optimize the user's system.
- When set peripheral port as output (T0/1/4 clock output, TXD and so on) function, if multi-output peripheral functions port are distributed the same IO, it will follow fixed priority, only one output is valid.
- Software operation, use flexible, when use design system, don't care the Pins layout of peripheral functions, it can reduce the development cost.
- When user meets layout errors of peripheral function Pins on PCB, user can re-distribute peripheral functions by PTM module, and shorten development period.
- When user changes the peripheral components during system design, only need minimum changes, it will reduce the cost of system maintenance.

1.5.2 PTM support peripheral function Ports total mapping

Peripheral	Name	Type	Instructions
Timer	T0	I/O	T0 external input orT0 clock scale output
	T1	I/O	T1 external input orT1 clock scale output
	T3	I	T3 external input
	T4	O	T4 ouput
	T5	I	T5 external input
PWM	PWM0	O	PWM0 output port
	PWM01	O	PWM01 output port
	PWM1	O	PWM1 output port

	PWM11	O	PWM11 output port
	PWM2	O	PWM2 output port
	PWM21	O	PWM21 output port
	PWM3	O	PWM3 output port
CLK	CLKO	O	Clock output port
UART	TXD	O	UART1 data transmission port
	RXD	I/O	UART1 receive port
	TXD2	O	UART2 data transmission port
	RXD2	I	UART2 receive port
IIC	SCL	I/O	IIC clock port
	SDA	I/O	IICdata port
SPI	MOSI	I/O	SPI data port, master output and slave input
	MISO	I/O	SPI data port, master input and slave output
	SCK	I/O	SPI clock port
	\overline{SS}	I	SPI chip select port

1.5.3 PTM dose not support peripheral function Ports total mapping

PTM does not support total mapping peripheral function port include power port(VDD, GND),PWM fault detection Pin (FLT0/1/2), ADC input, INT0-17 function port, oscillator Pin(Xin,XOUT),external reset Port(RST), LVD voltage detection port(LVDI).

2 CPU

2.1 CPU characteristics

HC89F0541/0531 CPU is an enhanced 1T compatible with 8051 core, it run faster than traditional 8051 under the same system clock, and has better performance characteristics.

2.2 CPU registers

2.2.1 PC program counter PC

Program counter PC is independent physically, does not belong to SFR. PC word length is 16 bits, and used to control the execution sequence of instructions register. After microcontroller power on or reset, PC value is 0000H, program is executed from 0000H address, if second reset vector is enabled, then after power on or reset, microcontroller will execute program from the second reset vector address.

2.2.2 Accumulator ACC

Accumulator (ACC) as A in instruction system, and used to provide ALU operands and store the arithmetic result, it is CPU most frequent work register, most execution of the instructions via the accumulator ACC.

2.2.3 Register B

Register B is set for multiplication and division registers specifically, used to store the operands and result of the arithmetic of multiplication and division. at the time no multiplication or division, it can be used as a general purpose register.

2.2.4 Program state word register PSW

This register is used to save characteristics and the processing state of the ALU arithmetic result, and the characteristics and state as the condition of controlling program transfer, for program checking and querying, the bits are defined as follows:

Bit	7	6	5	4	3	2	1	0
R/W	R/W	R/W	R/W	R/W	R/W	R/W	R/W	R
Reset values	0	0	0	0	0	0	0	0
Flag	CY	AC	F0	RS[1:0]		OV	F1	P

Bit	Flag	Introductions
7	CY	Carry/borrow flag 0 : In arithmetic, no a carry or borrow 1 : In arithmetic, carry or borrow has occurred
6	AC	Auxiliary carry/borrow flag 0 : In arithmetic, no auxiliary carry or borrow 1 : In arithmetic, auxiliary carry or borrow has occurred
5	F0	User-defined flag
4-3	RS[1:0]	register group selection flag 00 : 0 Group (00H ~ 07H) 01 : 1 Group (08H ~ 0FH) 10 : 2 Group (10H ~ 17H) 11 : 3 Group (18H ~ 1FH)
2	OV	Overflow flag 0: no overflow 1 : Overflow has occurred
1	F1	User-defined flag
0	P	Parity bit 0 : sum of 1 in ACC register is 0 or even 1 : Sum of 1 in ACC register is odd

2.2.5 Stack pointer SP

SP is a 8 bits special register, it indicates the top of the stack in the internal RAM position. After MCU reset, SP value is 07H, the stack was actually performed from the 08H unit, considering the 08H~1FH units belong to work register 1~3 respectively, and if in the program user needs to use these areas, the SP value better should be set a large value. 51MCU stack is upward generated, such as: SP=30H, after CPU execute a instruction or response a interrupt, PC push stack, PCL protected to 31H, PCH protected to 32H, SP=32H.

2.2.6 Data pointer DPTR

Data pointer DPTR is a 16 bits special register, it consists of two 8 registers DPH (high 8 bits) and DPL (low 8 Bits). The series MCU has two 16 bits data pointer of DPTR0 and DPTR1, they share the same address, user can set DPS (INSCON. 0) to select the data pointer.

2.2.7 Data pointer select register INSCON

Bit	7	6	5	4	3	2	1	0
R/W	R	R	R	R/W	R	R	R	R/W
Reset values	0	0	0	0	0	0	0	0
Flag	-			IAPS	-			DPS

Bit	Flag	Introductions
7-5	-	Reserved (read = 0b, write invalid)
4	IAPS	MOVC operation selection bit 0 : program area read/erase/write operation 1 : OPTION read operation
3-1	-	Keep (read = 0b, write invalid)
0	DPS	Data pointer selection bit 0: Data pointer DPTR0 1: Data pointer DPTR1

3 Memory

3.1 The program memory(flash)

3.1.1 Flash characteristics

- Support erase and program in all operating voltage
- In-circuit programming (ICP) support write, read, and erase operations
- ICP mode supports 32 bits password protection
- In-application programming (IAP) supports user-defined startup code and flash simulation of EEPROM
- Flexible code protection mode
- 100k erase times at least
- 10 years data retention at least

3.1.2 Flash data security

Flash operation is divided into two modes: first mode is flash read/erase/write through flash programmer, this is called in-circuit programming mode (ICP), JTAG is one of ICP; second mode is the user code run in flash code area, it can read/write/erase the other sectors of flash memory, but unable to erase the code in sector itself, which is called in-application programming mode (IAP).

3.1.2.1 User ID password protection

User can protect the ICP operation by setting password during PC software, password lengths are 4 bytes (32 bits), once password is set, only input the correct password, user can enter JTAG mode, otherwise any operation of flash is invalid, the password can protect the user's code available.

3.1.2.2 ICP read/erase/write flash protection

ICP read protection unit is 4K bytes, when 4K bytes space read protection enabled, read data is all 0 by ICP read, but user can still do simulation by ICP operation.

ICP erase and write protection unit are 4K bytes too, when the corresponding 4K bytes erase and write protection enabled, ICP will not be able to erase and program 4K bytes, strong writing is disabled.

If the corresponding 4K bytes read protection is enabled, but erase and write operations are enabled, user can get read access after erase until reset or power-down.

ICP read, erase and write protections are configured by PC software, and the detail descriptions please see HC-51LINK user manual.

3.1.2.3 IAP read/erase/write flash protection

IAP read flash by the instruction MOVC, IAP read protection unit is 4K bytes, if the 4K bytes space read protection is enabled, MOVC instruction in other 4K bytes space only read out data 0 from this 4K bytes, but MOVC instruction in this 4K bytes can read the data itself.

IAP erase and write flash steps are described in flash IAP operation, IAP erase and write protection unit is 4K bytes, before IAP erase and write, the corresponding sectors erase and write protection must be disabled.

If the corresponding 4K bytes read protection is enabled, but erase and write operations are enabled, user can get read access after erase until reset or power-down.

IAP read, erase and write protections are configured by PC software, and the detail descriptions please see HC-51LINK user manual.

3.1.3 OPTION

There is a read-only OPTION area besides 32K bytes ROM, storage data include: user setting data, user passwords, chip configurations data, the second reset vector data related. Address distribution in below table

Address	Name	Address offset	Name	Address	Name	Address offset	Name
0x0000	SN_DATA0	0x0020	FLASH_SC0	0x0031	ERST_ENB	0x0100	CHIP_ID0
0x0001	SN_DATA1	0x0021	FLASH_SC1	0x0038	WAIT_TS	0x0101	CHIP_ID1
0x0002	SN_DATA2	0x0022	FLASH_SC2	0x0039	BORVS	0x0102	CHIP_ID2
0x0003	SN_DATA3	0x0023	FLASH_SC3	0x003A	WDTENB	0x0103	CHIP_ID3
0x0004	SN_DATA4	-	-	0x003E	RVCFG	0x0104	CHIP_ID4
0x0005	SN_DATA5	-	-	0x003F	nRVCFG	0x0105	CHIP_ID5
0x0006	SN_DATA6	-	-	-	-	0x0106	CHIP_ID6
0x0007	SN_DATA7	-	-	-	-	0x0107	CHIP_ID7
0x0008	ID_DATA0	-	-	-	-	-	-
0x0009	ID_DATA1	-	-	-	-	-	-
0x000A	ID_DATA2	-	-	-	-	-	-
0x000B	ID_DATA3	-	-	-	-	-	-
0x000C	ID_DATA4	-	-	-	-	-	-
0x000D	ID_DATA5	-	-	-	-	-	-
0x000E	ID_DATA6	-	-	-	-	-	-
0x000F	ID_DATA7	-	-	-	-	-	-

HC89F0541/0531 will be configured a 8 bytes CHIP_ID before leave the factory, the CHIP_ID is unique and not repeated, user can read it by MOVC instruction in code.

SN_DATA and ID_DATA are user-defined data, FLASH_SC is user password, it is set by software tools, as well as setting code options, they can be erased or modified, and user can read them by MOVC instruction in code.

Note: 1. User must set register INSCON[IAPS] bit to 1 before read OPTION.

2. First character "n" is complement of the corresponding data.

3.1.3.1 External reset enabled (ERST_ENB)

Bit	7	6	5	4	3	2	1	0
Flag	-							ERST_ENB

Bit	Flag	Introductions
7-1	-	Reserved bits
0	ERST_ENB	Reset pin enable bit 0: External $\overline{\text{RST}}$ input 1 : P2.4 as GPIO

3.1.3.2 Wait time of reread OPTION after reset (WAIT_TS)

Bit	7	6	5	4	3	2	1	0
Flag	-	-	-	-	-	-	WAIT_TS	

Bit	Flag	Introductions
7-2	-	Reserved bits
1-0	WAIT_TS	Wait time of reread option after reset selection bits 00 : 8ms 01 : 4ms 11 : 16ms

3.1.3.3 BOR detection voltage selection (BORVS)

Bit	7	6	5	4	3	2	1	0
Flag	-	-	-	-	-	BORVS		

Bit	Flag	Introductions
7-3	-	Reserved bits
2-0	BORVS	BOR detection of voltage selection bits 000 : 1.8V 001 : 2.0V 010 : 2.4V 011 : 2.6V 100 : 3.0V 101 : 3.6V 110 : 3.9V 111 : 4.2V

3.1.3.4 BOR detection voltage selection (BORVS)

Bit	7	6	5	4	3	2	1	0
flag	-							WDTENB

Bit	Flag	Introductions
7-1	-	Reserved
0	WDTENB	Watchdog reset enable bit 0: Watchdog reset enable 1: Watchdog reset disable

3.1.3.5 Second reset vector configuration (RVCFG)

Bit	7	6	5	4	3	2	1	0
Flag	RVSEN	-			RVADR[4:0]			

Bit	Flag	Introductions
7	RVSEN	The second reset vector enable bit 0: disable the second reset vector 1: enable the second reset vector
6-4	-	Reserved bits
3-0	RVADR[3:0]	The second reset vector configuration values The second reset vector address = {RVADR[4:0], 10'h00000 } Note: 1. When RVADR[4:0]=0, the second reset vector address coincide with 0x0000H. 2. RVADR[4:0] configuration data only equal 00000/10000/11000/11100/11110/11111 six values, the second reset vector space only is 1K, 2K, 4K, 8K, 16K, 32K.

3.1.4 Flash IAP operation

Before flash IAP erase and write, user need to configure extension SFR `FREQ_CLK` register, and indicates the current CPU frequency, `FREQ_CLK` configuration value is equal to CPU clock frequency, the minimum value is 1MHz, If CPU current frequency is 16MHz, user must configure the value in register `FREQ_CLK=0x10`. Recommended before IAP erase and write, CPU clock frequency division factor is an integer. When CPU clock frequency below 1MHz, flash IAP erase and write operation is disabled.

3.1.4.1 IAP data register (IAP_DATA)

Bit	7	6	5	4	3	2	1	0
R/W	R/W	R/W	R/W	R/W	R/W	R/W	R/W	R/W
Reset values	0	0	0	0	0	0	0	0
Flag	IAP_DATA[7:0]							

Bit	Flag	Introductions
7-0	IAP_DATA[7:0]	IAP data register

3.1.4.2 IAP address register IAP_ADDRL, IAP_ADDRH

IAP_ADDRL

Bit	7	6	5	4	3	2	1	0
R/W	R/W	R/W	R/W	R/W	R/W	R/W	R/W	R/W
Reset values	1	1	1	1	1	1	1	1
Flag	IAP_ADDR[7:0]							

IAP_ADDRH

Bit	7	6	5	4	3	2	1	0
R/W	R	R	R/W	R/W	R/W	R/W	R/W	R/W
Reset values	0	0	1	1	1	1	1	1
Flag	-		IAP_ADDR[14:8]					

Bit	Flag	Introductions
7	-	Reserved
6-0	IAP_ADDR[14:8]	High 7 bits of the IAP operation address register
7-0	IAP_ADDR[7:0]	Low 8 bits of the IAP operation address register

Note: User can modify IAP address register only in unlocked status, and once operation is completed, IAP address is pointed to 0x7FFF automatically.

3.1.4.4 IAP Command register IAP_CMDH, IAP_CMDL

IAP_CMDH

Bit	7	6	5	4	3	2	1	0
R/W	R/W	R/W	R/W	R/W	R/W	R/W	R/W	R/W
Reset values	0	0	0	0	0	0	0	0
Flag	IAP_CMDH[7:0]							

Bit	Flag	Introductions
7-0	IAP_CMDH[7:0]	Operation mode selection bit 0xF0 : Unlock (22 CPU clock automatically locked, IAP_CMD[7:0] = 0x00) 0xE1 : Trigger one time action 0xD2 : Sector erase 0xB4 : Byte program 0x87 : Software reset, reset address 0000H, not reread codes options 0x78 : Software reset, reset address 0000H, reread codes options Other values: lock

IAP_CMDL

Bit	7	6	5	4	3	2	1	0
R/W	R/W	R/W	R/W	R/W	R/W	R/W	R/W	R/W
Reset values	1	1	1	1	1	1	1	1
Flag	IAP_CMDL[7:0]							

Bit	Flag	Introductions
7-0	IAP_CMDL[7:0]	IAP_CMDH[7:0] complement code Note: Write into IAP_CMDL[7:0] data must equal the complement of IAP_CMDH[7:0] data previous, otherwise operations will be locked, meanwhile operation will fail.

Examples:

1, Program space sector erase

```

IAP_CMDH = 0xF0;
IAP_CMDL = 0x0F;
IAP_ADDRH = 0x80;
IAP_ADDRH = 0x00; // Select first sector to be erased, a sector for 128 bytes
IAP_CMDH = 0xD2; // Select operation mode, sector erase
IAP_CMDL = 0x2D;
IAP_CMDH = 0xE1; // Trigger
IAP_CMDL = 0x1E; // After trigger IAP_ADDRH Links to 0xFF, IAP_ADDRH Links to 0x3F,

```

meanwhile locked automatically

2, program space byte program

```

IAP_DATA = 0x02; //Data ready to be programmed before writing data register must be unlocked
IAP_CMDH = 0xF0;
IAP_CMDL = 0x0F;
IAP_ADDRH = 0x00;
IAP_ADDRH = 0x00;
IAP_CMDH = 0xB4; // Select the mode of operation, byte program
IAP_CMDL = 0x4B;
IAP_CMDH = 0xE1; // Trigger
IAP_CMDL = 0x1E; // After the trigger IAP_ADDRH Links to 0xFF, IAP_ADDRH Links to

```

0x3F, IAP_DATA Links to 0x00, meanwhile locked automatically

Note: After unlocked, write address, select operation mode, trigger, between these three steps, any instruction cannot be inserted, and must be operated continuously.

3, Software reset (do not reread code options)

```

IAP_CMDH = 0xF0;
IAP_CMDL = 0x0F;
IAP_CMDH = 0x87;
IAP_CMDL = 0x78;

```

4, Software reset (reread code options)

```

IAP_CMDH = 0xF0;
IAP_CMDL = 0x0F;
IAP_CMDH = 0x78;
IAP_CMDL = 0x87;

```

3.1.5 Flash ICP operation

3.1.5.1 JTAG mode

User can use HC-51LINK emulator to program MCU, after MCU is already welded in the user board, if user uses power-on reset enter JTAG mode, only connect 6 cables, and user must power-down the system, and power supplied by the emulator. When user does not want to power-down the system, it need 7 cables to enter the programming mode, add a reset Pin, detailed instructions of emulator, please see HC-51LINK user manual.

In addition, because the programming signals are very sensitive, user needs to use 6 jumpers to separate programming Pins (VDD, TDO, TDI, TMS, TCK, $\overline{\text{RST}}$) from the circuit, as shown in below figure.

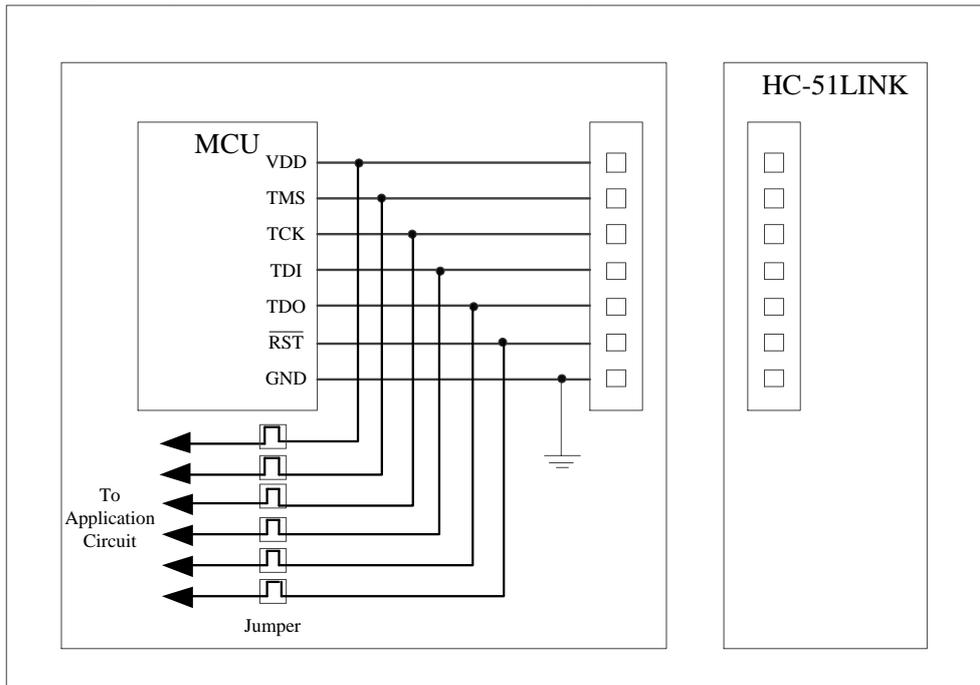


Figure 3 - 1 HC-51LINK JTAG programming hardware connection

When using ICP operation mode, it is recommended operation according to the following steps:

- 1, Disconnect jumpers (jumper) before start programming, , separate programming pins from the application circuit.
- 2, Connect the chip programming Pin flash program interface, then start programming.
- 3, After the program ends, disconnect flash Programming interfaces, connect jumper to application circuit.

Note: Chip power on, reset Pin is valid in default, and low level is reset, so when user use the reset Pin , it cannot be set pull-down, otherwise the chip is in the reset state always, and cannot be programming and simulation.

3.1.5.2 Double line mode

User can use double line mode of HC-51LINK emulator to program MCU, after MCU is already welded in the user board, if user uses power-on reset enter JTAG mode, only connect 4 cables(VDD,GND, SDA, SCK), and user must power-down the system, and power supplied by the emulator. When user does not want to power-down the system, it need 5 cables to enter the programming mode, add a reset Pin, detailed instructions of emulator, please see HC-51LINK user manual.

In addition, because the programming signals are very sensitive, user needs to use 4jumpers to separate programming Pins (VDD, SDA, SCK, $\overline{\text{RST}}$) from the circuit, as shown in below figure. If use external reset Pin. Need to separate it also.

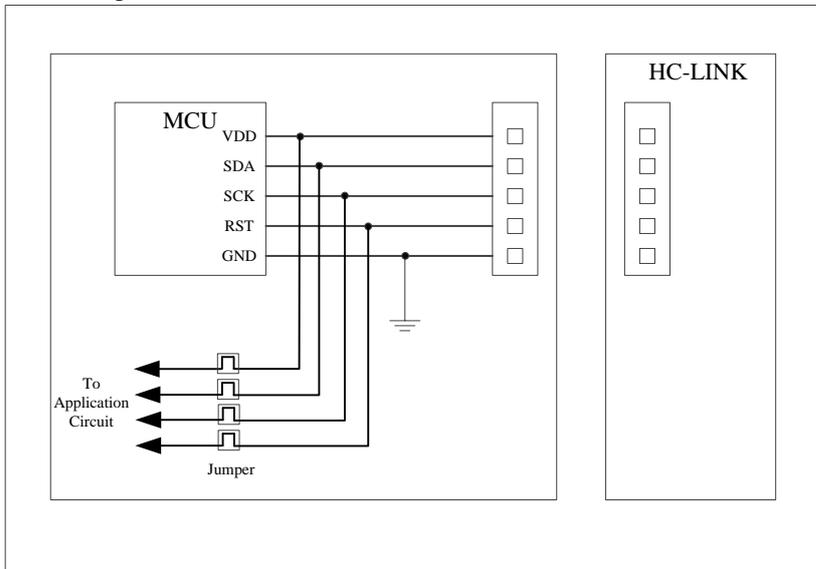


Figure 3 - 2 HC-51LINK double line programming hardware connection

When programming with ICP mode, it is recommended operation as below:

- 1, Disconnect the jumpers before programming, separate programming Pins from the application circuit.
- 2, Connect chip Pins to flash programmer interface, start programming.
- 3, Disconnect programmer interface after programming, connect jumpers recover the application circuit.

3.1.6 Second reset vector operations

If the user has configured second reset vector enabled in the code options and the second reset vector address, then after the on-chip power-on reset, PC first point to the second vector address, and begin to implement user's startup program, if at the end of user code need place a un-reread code item of software reset program, that user program will be reset to 0x0000H, start to implement the user application program.

3.2 Data storage (RAM)

HC89F0541/0531 provide user with a 256 bytes internal RAM and 1024 bytes internal expansion RAM as data memory. Below is data memory space allocation.

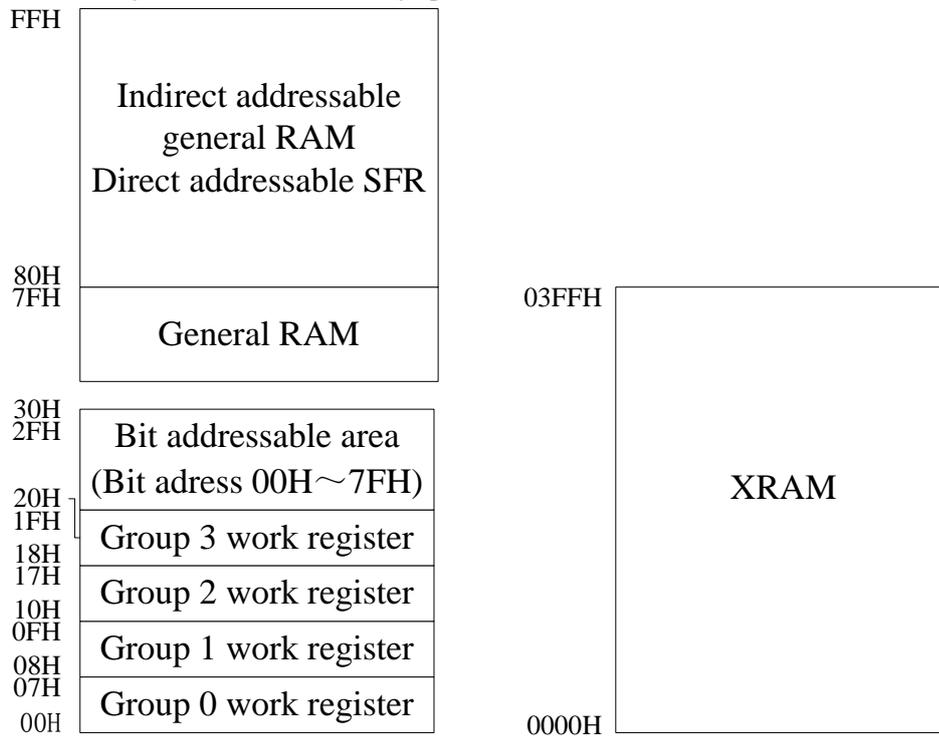


Figure 3 - 2 Data memory map

Internal RAM high 128 bytes (0x80 ~ 0xFF) must use the register indirect addressing modes.

Internal expansion RAM (XRAM) addresses range is 0x0000 ~ 0x03FF, and access to internal extensions RAM methods same as traditional 8051 access external extensions RAM, but it does not affect I/O port. In assembly language, access internal expansion RAM through MOVX instruction, as MOVX @DPTP or MOVX @Ri.

3.3 Special function registers (SFR)

3.3.1 Special function registers list

3.3.1.1 Direct addressing, read and write SFR

	0/8	1/9	2/A	3/B	4/C	5/D	6/E	7/F
F8	RSTFR	IAP_ADDRL	IAP_ADDRH	IAP_DATA	IAP_CMDL	IAP_CMDH	-	-
F0	B	PWMM	PWM2PL	PWM2PH	PWM2DL	PWM2DH	PWM2DTL	PWM2DTH
E8	-	FLTMODE	PWM1PL	PWM1PH	PWM1DL	PWM1DH	PWM1DTL	PWM1DTH
E0	ACC	PWMEN	PWM0PL	PWM0PH	PWM0DL	PWM0DH	PWM0DTL	PWM0DTH
D8	IE2	-	PWM0C	PWM1C	PWM2C	PWM3C	PWM3P	PWM3D
D0	PSW	LCDCON	-	-	-	-	-	-
C8	-	T3CON	TL3	TH3	T4CON	TL4	TH4	-
C0	-	T5CON	TL5	TH5	RCAP5L	RCAP5H	-	-
B8	IE1	IP2	IP3	LVDC	-	WDTC	CRCL	CRCH
B0	P3	IP4	-	-	ADCC0	ADCC1	ADCRL	ADCRH
A8	IE	IP0	IP1	SPDAT	SPCTL	SPSTAT	IICDAT	IICADR
A0	P2	-	INSCON	-	-	-	IICCON	IICSTA
98	SCON	SBUF	SADDR	SADEN	-	-	SCON2	PINTF2
90	P1	-	-	-	-	-	PINTF0	PINTF1
88	TCON	TMOD	TL0	TL1	TH0	TH1	CLKSWR	CLKCON
80	P0	SP	DPL	DPH	-	-	-	PCON

3.3.1.2 External extension XSFR

The method to access extension XSFR is the same as XRAM, use MOVX A, @DPTR and MOVX @DPTR, A to read and write.

For example: write XSFR at address 0xFE88, operation as below:

```
MOV A, #wdata
MOV DPTR, #0xFE88
MOVX @DPTR, A
```

Read XSFR at address 0xFE89, operation as below:

```
MOV DPTR, #0xFE89
MOVX A, @DPTR
```

Extension XSFR (base address is 0xFE80)

Offset address	XSFR	Offset address	XSFR	Offset address	XSFR	Offset address	XSFR
0x0000	TCON1	0x0010	-	0x0020	WDTCCR	0x0030	PITS0
0x0001	-	0x0011	CLKDIV	0x0021	-	0x0031	PITS1
0x0002	-	0x0012	FREQ_CLK	0x0022	CRCC	0x0032	PITS2
0x0003	-	0x0013	CLKOUT	0x0023	-	0x0033	PITS3
0x0004	-	0x0014	XTALCFG	0x0024	BORC	0x0034	PITS4
0x0005	T5CON1	0x0015	SPOV_RSTEN	0x0025	BORDBC	0x0035	-
0x0006	-	0x0016	-	0x0026	-	0x0036	-
0x0007	-	0x0017	-	0x0027	LVDDBC	0x0037	-
0x0008	S2CON	0x0018	-	0x0028	-	0x0038	PINTE0
0x0009	S2CON2	0x0019	-	0x0029	-	0x0039	PINTE1
0x000A	S2BUF	0x001A	-	0x002A	RSTDBC	0x003A	PINTE2
0x000B	-	0x001B	ADCC2	0x002B	-	0x003B	-
0x000C	-	0x001C	-	0x002C	-	0x003C	P2INTE
0x000D	-	0x001D	-	0x002D	-	0x003D	TRMEN
0x000E	-	0x001E	-	0x002E	-	0x003E	TRMV
0x000F	-	0x001F	-	0x002F	-	0x003F	

Extension XSFR (base address is 0xFEC0)

Offset address	XSFR	Offset address	XSFR	Offset address	XSFR	Offset address	XSFR
0x0000	SCANCON	0x0010	SCCH0	0x0020	SCRH0	0x0030	
0x0001	-	0x0011	SCCH1	0x0021	SCRL0	0x0031	
0x0002	-	0x0012	SCCH2	0x0022	SCRH1	0x0032	
0x0003	-	0x0013	SCCH3	0x0023	SCRL1	0x0033	
0x0004	-	0x0014	-	0x0024	SCRH2	0x0034	
0x0005	-	0x0015	-	0x0025	SCRL2	0x0035	
0x0006	-	0x0016	-	0x0026	SCRH3	0x0036	
0x0007	-	0x0017	-	0x0027	SCRL3	0x0037	
0x0008	-	0x0018	-	0x0028	SCRH4	0x0038	-
0x0009	-	0x0019	-	0x0029	SCRL4	0x0039	-
0x000A	-	0x001A	-	0x002A	SCRH5	0x003A	-
0x000B	-	0x001B	-	0x002B	SCRL5	0x003B	-
0x000C	-	0x001C	-	0x002C	SCRH6	0x003C	-
0x000D	-	0x001D	-	0x002D	SCRL6	0x003D	-
0x000E	-	0x001E	-	0x002E	SCRH7	0x003E	-
0x000F	-	0x001F	-	0x002F	SCRL7	0x003F	-

Extension XSFR (base address is 0xFF00)

Offset address	XSFR	Offset address	XSFR	Offset address	XSFR	Offset address	XSFR
0x0000	P0M0	0x0010	P2M0	0x0020	-	0x0030	-
0x0001	P0M1	0x0011	P2M1	0x0021	-	0x0031	-
0x0002	P0M2	0x0012	P2M2	0x0022	-	0x0032	-
0x0003	P0M3	0x0013	P2M3	0x0023	-	0x0033	-
0x0004	P0M4	0x0014	P2M4	0x0024	-	0x0034	-
0x0005	P0M5	0x0015	P2M5	0x0025	-	0x0035	-
0x0006	P0M6	0x0016	P2M6	0x0026	-	0x0036	-
0x0007	P0M7	0x0017	P2M7	0x0027	-	0x0037	-
0x0008	P1M0	0x0018	P3M0	0x0028	-	0x0038	-
0x0009	P1M1	0x0019	P3M1	0x0029	-	0x0039	-
0x000A	P1M2	0x001A	P3M2	0x002A	-	0x003A	-
0x000B	P1M3	0x001B	P3M3	0x002B	-	0x003B	-
0x000C	P1M4	0x001C	P3M4	0x002C	-	0x003C	-
0x000D	P1M5	0x001D	P3M5	0x002D	-	0x003D	-
0x000E	P1M6	0x001E	-	0x002E	-	0x003E	-
0x000F	P1M7	0x001F	-	0x002F	-	0x003F	-

Extension XSFR (base address is 0xFF40)

Offset address	XSFR	Offset address	XSFR	Offset address	XSFR	Offset address	XSFR
0x0000	P00DBC	0x0010	-	0x0020	COMP3EN	0x0030	-
0x0001	P01DBC	0x0011	-	0x0021	COMP2EN	0x0031	-
0x0002	P02DBC	0x0012	-	0x0022	COMP1EN	0x0032	-
0x0003	-	0x0013	-	0x0023	COMP0EN	0x0033	-
0x0004	-	0x0014	-	0x0024	-	0x0034	-
0x0005	-	0x0015	-	0x0025	-	0x0035	-
0x0006	-	0x0016	-	0x0026	-	0x0036	-
0x0007	-	0x0017	-	0x0027	-	0x0037	-
0x0008	-	0x0018	-	0x0028	SEGP3EN	0x0038	-
0x0009	-	0x0019	-	0x0029	SEGP2EN	0x0039	-
0x000A	-	0x001A	-	0x002A	SEGP1EN	0x003A	-
0x000B	-	0x001B	-	0x002B	SEGP0EN	0x003B	-
0x000C	-	0x001C	-	0x002C	-	0x003C	-
0x000D	-	0x001D	-	0x002D	-	0x003D	-
0x000E	-	0x001E	-	0x002E	-	0x003E	-
0x000F	-	0x001F	-	0x002F	-	0x003F	-

Extension XSFR (base address is 0xFF80)

Offset address	XSFR	Offset address	XSFR	Offset address	XSFR	Offset address	XSFR
0x0000	T0_MAP	0x0010	PWM0_MAP	0x0020	TXD_MAP	0x0030	-
0x0001	T1_MAP	0x0011	PWM01_MAP	0x0021	RXD_MAP	0x0031	-
0x0002	-	0x0012	-	0x0022	SCL_MAP	0x0032	-
0x0003	T3_MAP	0x0013	-	0x0023	SDA_MAP	0x0033	-
0x0004	T4_MAP	0x0014	PWM1_MAP	0x0024	\overline{SS} _MAP	0x0034	-
0x0005	T5_MAP	0x0015	PWM11_MAP	0x0025	SCK_MAP	0x0035	-
0x0006	-	0x0016	-	0x0026	MOSI_MAP	0x0036	-
0x0007	-	0x0017	-	0x0027	MISO_MAP	0x0037	-
0x0008	-	0x0018	PWM2_MAP	0x0028	TXD2_MAP	0x0038	-
0x0009	-	0x0019	PWM21_MAP	0x0029	RXD2_MAP	0x0039	-
0x000A	-	0x001A	-	0x002A	-	0x003A	-
0x000B	-	0x001B	-	0x002B	-	0x003B	-
0x000C	-	0x001C	PWM3_MAP	0x002C	-	0x003C	-
0x000D	-	0x001D	-	0x002D	-	0x003D	-
0x000E	-	0x001E	-	0x002E	-	0x003E	-
0x000F	CLKO_MAP	0x001F	-	0x002F	-	0x003F	-

4 The system clock

4.1 Characteristics of the system clock

HC89F0541/0531 MCU system clock have 4 optional clock sources: external high-frequency RC clock (4MHz~24MHz), external low-frequency RC clock (32.768KHz), internal high-frequency RC clock (32 MHz) and internal low frequency RC clock (44KHz). The internal frequency RC scope of error is less than 1% during -40 °C ~+85 °C. Select the system clock (if user choose an internal high-frequency of RC, clock is divided after setting RC32M_DIV[1:0] as osc_clk, the frequency is f_{OSC} , period is t_{OSC} , mainly used for peripheral modules, osc_clk can be divided by any value between 1-255, clock divided as CPU clock, frequency is f_{CPU} , period is t_{CPU} .

CPU can run under 20MHz highest frequency, if frequency of clock selected is higher than 20MHz, the clock need to be divided to meet CPU Clock equal to or less than 20MHz .

Internal low frequency RC (RC44K) output clock marker as wdt_clk, for the watchdog timer count, and can also be used for the system clock, internal high frequency RC (RC32M) output marker as rc32m_clk, and it can be divided by 1/2/4/8. Select external oscillator marker as xtal_clk by setting XTALCFG register.

After POR, f_{OSC} is 4MHz, f_{CPU} is 2MHz, can be configured by related registers to change frequency of osc_clk and cpu_clk.

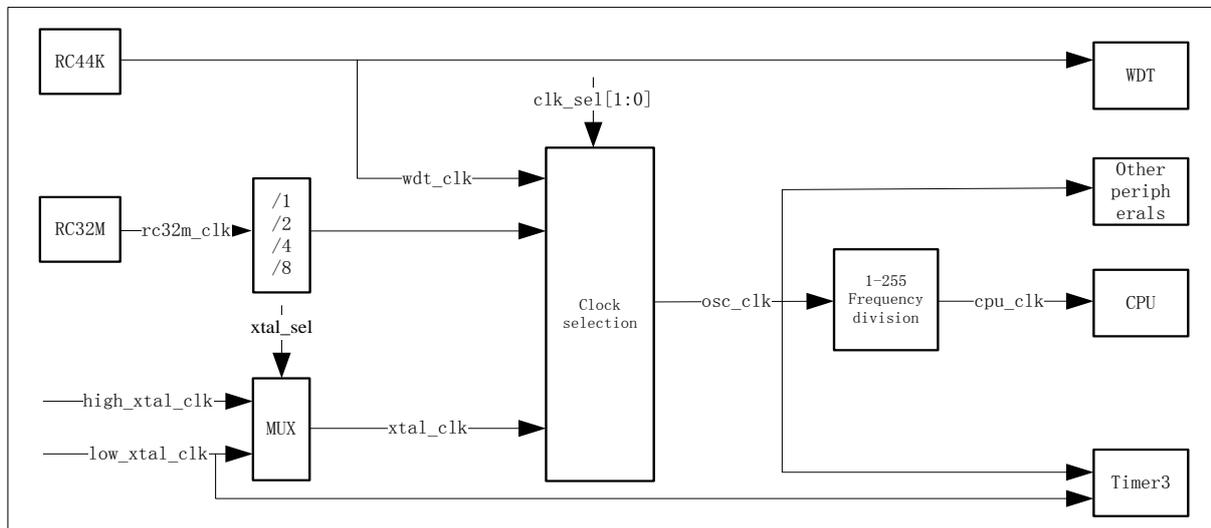


Figure 4 - 1 System clock block diagram

4.2 System clock registers

4.2.1 Clock control register CLKCON

Bit	7	6	5	4	3	2	1	0
R/W	R	R	R	R	R	R/W	R/W	R
Reset values	0	0	1	1	0	0	1	0
Flag	HXTALRDY	LXTALRDY	HSRCRDY	LSRCRDY	-	XTALEN	HSRCEN	-

Bit	Flag	Introductions
7	HXTALRDY	External high-frequency RC oscillator state bit 0: External high-frequency RC is not ready 1: External high-frequency RC is ready Note: The hardware automatically clear 0 or set 1
6	LXTALRDY	External low-frequency RC oscillator state bit 0: External low-frequency RC is not ready 1: External low-frequency RC is ready

		Note: The hardware automatically clear 0 or set 1
5	HSRCRDY	Internal high-frequency RC oscillator state bit 0: Internal high-frequency RC is not ready 1: Internal high-frequency RC is ready Note: the hardware automatically clear 0 or set 1
4	LSRCRDY	Internal low frequency RC oscillator state bit 0: Internal low frequency RC is not ready 1: Internal low frequency RC is ready Note: the bit hardware automatically clear 0 or set 1
3	-	Reserved bit
2	XTALEN	External oscillator enable bit 0: External oscillator close 1: External oscillator open Note: Shen enabled, need set the corresponding IO mode to analog channel by software.
1	HSRCEN	Internal high-frequency RC oscillator enable bit 0: Internal high-frequency RC close 1: Internal high-frequency RC open
0	-	Reserved bit

4.2.2 Select clock register CLKSWR

Bit	7	6	5	4	3	2	1	0
R/W	R	R	R/W	R/W	R	R	R/W	R/W
Reset values	0	1	0	1	0	0	1	1
Flag	CLKSTA[1:0]		CLKSEL[1:0]		-		RC32M_DIV[1:0]	

Bit	Flag	Introductions
7-6	CLKSTA[1:0]	System clock state bits 00: Current system clock is internal low frequency RC 01: Current system clock is internal high frequency RC 10: Current system clock is external low frequency RC 11: Current system clock is external high frequency RC Notes: system automatically switches state based on current system clock
5-4	CLKSEL[1:0]	System clock selection bit 00: Select system clock to internal low frequency RC 01: Select system clock to internal high frequency RC Note: corresponding clock source state bits must be set to 1 when select system clock, or use previous clock, after switching, the original clock does not automatically close; select the system clock marker as osc_clk, the frequency is F_{osc} , period is T_{osc} .
3-2	-	Reserved bit
1-0	RC32M_DIV[1:0]	Internal high frequency RC scale bits 00 : rc32m_clk 01 : rc32m_clk /2 10 : rc32m_clk /4 11 : rc32m_clk /8(default)

3.2.3 Clock scale register (CLKDIV)

Bit	7	6	5	4	3	2	1	0
R/W	R/W	R/W	R/W	R/W	R/W	R/W	R/W	R/W
Reset values	0	0	0	0	0	0	1	0

Flag	CLKDIV[7:0]
------	-------------

Bit	Flag	Introductions
7-0	CLKDIV[7:0]	CPU clock division factor, default value is 2 Configuration values is 0 or 1, clock is not divided; in other condition, the configuration value is equal to the frequency factor; Note: Clock after divided is CPU clock, frequency is F_{cpu} , period is T_{cpu} .

4.2.4 Clock output registers CLKOUT

Bit	7	6	5	4	3	2	1	0
R/W	R	R	R	R/W	R	R/W	R/W	R/W
Reset values	0	0	0	0	0	0	0	0
Flag	-			CLK_OUT_EN	-	CLK_OUT_SEL[2:0]		

Bit	Flag	Introductions
7-5	-	Reserved bit
4	CLK_OUT_EN	Clock output enable bit 0 : Disable clock output 1 : Enable clock output
3	-	Reserved bit
2-0	CLK_OUT_SEL [2:0]	output clock selection bits 000 : Select cpu_clk 001 : Select osc_clk 010 : Select wdt_clk 011 : Select xtal_clk 100 : Select rc32m_clk 101 : Select rc32m_clk/2 110 : Select rc32m_clk/4 111 : Select rc32m_clk/8

4.2.5 External oscillator registers XTALCFG

Bit	7	6	5	4	3	2	1	0
R/W	R/W	R/W	R/W	R/W	R/W	R/W	R	R/W
Reset values	0	0	0	0	0	0	0	0
Flag	HXTAL_CFG		LXTAL_CFG		HXTAL_MODE_SEL		-	XTAL_SEL

Bit	Flag	Introductions
7-6	HXTAL_CFG	External high frequency oscillator warmup count value selection bit 00: 2048 01: 256 10: 16384 11: 65536
5-4	LXTAL_CFG	External low frequency oscillator warmup count value selection bit 00: 16384 01: 4096 10: 1024 11: 65536

3-2	HXTAL_MODE_SEL	External high frequency oscillator selection bit 00: Select 4M/8M oscillator 01: Select 4M/8Moscillator strong drive mode, oscillator sartup time is short whenat low voltage, and power consumption is suitable. 11: select 6M/24M oscillator
1	-	Reserved
0	XTAL_SEL	External oscillator selection bit 0: External low frequency oscillator selection bit 32.768KHz 1: External high frequency oscillator

4.2.6 CPU clock frequency register **FREQ_CLK**

Before flash IAP erase and write, user need to configure extension SFR FREQ_CLK register, and indicates the current CPU frequency, FREQ_CLK configuration value is equal to CPU clock frequency, the minimum value is 1MHz, If CPU current frequency is 16MHz, user must configure the value in register FREQ_CLK=0x10

FREQ_CLK

Bit	7	6	5	4	3	2	1	0
R/W	R/W	R/W	R/W	R/W	R/W	R/W	R/W	R/W
Reset values	0	0	0	0	0	0	0	0
Flag	FREQ_CLK[7:0]							

Bit	Flag	Introductions
7-0	FREQ_CLK[7:0]	Current CPU clock frequency register

4.2.7 Internal high-frequency RC adjustment enable register **TRMEN**

Bit	7	6	5	4	3	2	1	0
R/W	R	R	R	R	R	R	R	R/W
Reset values	0	0	0	0	0	0	0	0
Flag	-							RCTRMEN

Bit	Flag	Introductions
7-1	-	Reserved
0	RCTRMEN	Internal high-frequency RC adjustment enable bit 1: Enable Internal high-frequency RC adjustment 0: Disable Internal high-frequency RC adjustment Note: the register enabled, must configure TRMV register immediately, otherwise it will be cleared to 0 after execute next instruction, and internal high-frequency RC adjustment invalid.

4.2.8 Internal high-frequency RC adjustment configuration register RCTRMV

Bit	7	6	5	4	3	2	1	0
R/W	R	R/W	R/W	R/W	R/W	R/W	R/W	R/W
Reset values	0	x	x	x	x	x	x	x
Flag	RCTRMV							

Bit	Flag	Introductions
7	-	Reserved
6-0	RCTRMV	Internal high-frequency RC adjustment configuration value Note: 1. x indicates uncertain value, after POR, the register value is check value before leave the factory. 2. When configure the register, need set the internal high-frequency RC adjustment enable bit to 1. 3. Based on check curve software, enable RCTRMEN first, then configure RCTRMV, and RCTRMEN is cleared to 0 automatically after adjustment, and to avoid repeat operation.

5 Power management

5.1 Power management characteristics

- Provide idle mode (IDLE) and power-down mode (PD), as a power saving mode
- Provide a variety of ways to wake up from the idle/power-down mode
- Provide low frequency mode (described in the system clock chapter)

5.2 Idle mode

System power consumption can be reduced in idle mode, in this mode, the program terminate run, CPU clock stop, but external device clock continues to run. In idle mode, the CPU stop in determining state, and all CPU states was saved before entering idle mode, such as the PC, PSW, SFR, RAM and so on.

Set PCON register IDL bit to 1, then HC89F0541/0531 enters idle mode. IDL bit set 1 is the last instruction executed before CPU enter idle mode.

Two ways to exit the idle mode:

(1) All valid interrupts. When HC89F0541/0531 detects a valid interrupt, CPU clock is recovered immediately, hardware clear PCON register IDL bit automatically, and then execute the interrupt service program, then jump to execute the instruction after enter idle mode instruction.

(2) The reset signal (valid level on external reset Pin, WDT reset, BOR reset, low-voltage detection reset on external ports). After HC89F0541/0531 detects a valid reset signal, IDL in PCON register is reset to 0, system program will start to run from the reset address 0000H, RAM remains unchanged, SFR value changes depend on the value of different function module.

5.3 Power-down mode

HC89F0541/0531 will enter very low power consumption state in power-down mode. In power-down mode CPU and peripherals of all clock signal will stop, but if WDT and TIMER3 enabled and permits working in power down mode, then the WDT and TIMER3 module will continue to work. Before enter the power-down mode all the CPU states were saved, such as the PC, PSW, SFR, RAM and so on.

Set PCON register PD bit to 1, HC89F0541/0531 will enter the power-down mode. PD set 1 is the last instruction executed by CPU before enter the power-down mode.

Note: If user set IDL and PD bits at the same time, HC89F0541/0531 enter the power-down mode. After exit the power-down mode, CPU couldn't enter idle mode, and hardware will clear the IDL and the PD bits after exit from the power-down mode.

Multiple ways to exit the power-down mode:

(1) Valid external interrupts, LVD interrupt, WDT interrupt and TIMER3 (s) interrupt. Valid external interrupts and TIMER3 (elect external clock as count clock source) interrupt occur, internal high-frequency RC oscillator start up, CPU clock and the peripheral clock is immediately recovered, PCON register PD bit will be clear by hardware, and CPU running external interruption service program. After the completion of external interrupt service, and continue to run the instructions after jump to enter power-down mode.

(2) The reset signal (valid level on external reset Pin, WDT reset, BOR reset or low voltage detection reset on external ports). Valid reset signal will reset PCON register PD bit to 0, oscillator restart, CPU clock and the peripheral clock immediately recovered, system program will start to run from the reset address 0000H, RAM remains unchanged, SFR value changes depend on the value of different function module.

5.4 Power management registers

5.4.1 Power control register PCON

Bit	7	6	5	4	3	2	1	0
R/W	R	R	R	R	R/W	R/W	R/W	R/W
Reset values	0	0	0	0	0	0	0	0
Flag	-				GF1	GF0	PD	IDL

Bit	Flag	Introductions
7-4	-	Reserved (read = 0b,, write invalid)
3	GF1	User normal flag 1
2	GF0	User normal flag 0
1	PD	Power-down mode control bit 0 : Normal mode 1 : Enter power-down mode (clear to 0 automatically after exit)
0	IDL	Idle mode control bit 0 : Normal mode 1 : Enter idle mode (clear to 0 automatically after exit) Note: If set PD&IDL at the same time, the system will enter the power-down mode, meanwhile flag is clear after wake up.

6 Reset

6.1 Reset characteristics

- Provides multiple ways to reset
- All reset have special flags

6.2 POR (Power-on reset)

During HC89F0541/0531 power-on, a POR signal will be generated, this signal will reset the microcontroller, meanwhile PORF bit in RSTFR register will be set, and the user can read this flag to determine whether POR reset or not.

POR time will keep about 7ms, after POR system will read OPTION, then wait the time of selected by WAIT_TS code option, and chip start to run user program.

Note: When shut down completely ($V_{DD} < 0.7V$), After POR reset, RAM data is not stable, it is recommended that user need to reinitialize the RAM, RAM data can be saved when $V_{DD} > 0.7V$.

6.3 BOR (Brown-out reset)

When V_{DD} voltage drops below V_{BOR} , and continue time is more than T_{BOR} , the system generates undervoltage reset. when BOR reset, BORF bit in RSTFR register is set to 1, the user can read this flag to determine whether BOR reset or not.

User can select HC89F0541/0531 BOR voltage detection value by code option or register. User can also reconfigure BOR voltage through the configuration registers. BOR gear:

4.2V/3.9V/3.6V/3.0V/2.6V/2.4V/2.0V/1.8V.

Undervoltage reset diagram shown below, T_{BOR} configuration by register used to voltage debouncing.

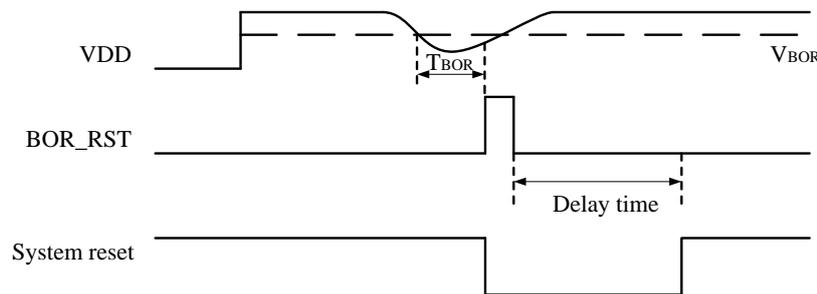


Figure 6 - 1 BOR schematic diagram

6.4 External reset

External \overline{RST} Pin reset is from outside to the \overline{RST} Pin applied a certain width pulse, so as to achieve the microcontroller reset, the Pin can be configured as I/O port when it is not used, the function need to be set in the code options.

When it as RST port, after \overline{RST} Pin need be set low level and keep the setting time at least (software configuration), microcontroller will enter the reset state, after set \overline{RST} Pin back to the high level, MCU exit reset state and the user program starts to run from 0000H. EXRSTF bit in RSTFR register is set to 1 when reset, the user can read this flag to determine whether external RST reset is generated or not.

Note: P2.4 port cannot be used as general I/O when as external reset \overline{RST} port

6.5 External port low-voltage detection reset

When external voltage is too low, it cannot guarantee the normal system working. At this time, user can use the external port low voltage detection (PLVD) to reset the microcontroller, external port detection voltage equal 1.2V, the reset function can be disabled. When PLVD reset, PLVRSTF bit in RSTFR register is set to 1, and user can read the flag to determine whether the external ports low-voltage detection reset or not. In addition, by setting registers user can also implement external port voltage debouncing.

6.6 Software reset

Write corresponding value into IAP_CMDH and IAP_CMDL register as flow, the system will generate software reset, SWRF bit in RSTFR register will be set to 1 after reset, and the user can read the flag to determine whether the software reset or not. Detail operations see FLASH IAP operation chapter.

It is recommended to switch system clock to internal high frequency RC before software reset. Software reset does not switch the system clock, but will reset RC32M_DIV[1:0] bits to 01B in CLKSWR register, and reset CLKDIV register to 08H.

6.7 Watchdog (WDT) reset

In order to prevent system interfered in abnormal circumstances, when MCU program is broken, and the system work in abnormal state for a long time, usually the watchdog will be used, if MCU program is not in operation as required within the stipulated time, the MCU is considered in a unexpected state, the watchdog will force MCU reset, and program will re-run from 0000H.

Note: To generate WDT reset, user must set WDTRST to 1, that is to say WDT reset function enabled, otherwise, even WDT is enabled, and it can only set the overflow flag, but not generate reset.

6.8 Stack overflow reset

When the stack overflows, the system will reset, and set SPOVF overflow flag, it must be cleared by software.

Stack overflow include instack overflow and outstack overflow, instack overflow is the current top of the stack address is 0xFF, and have instack action at this time; outstack overflow is the current top of the stack address equal to the bottom of the stack address setting by user, and have outstack action at this time.

Stack overflow reset is configured by enable registers, when it is enabled, and only stack overflow can reset the system.

6.9 Reset registers

6.9.1 Reset flag register (RSTFR)

Bit	7	6	5	4	3	2	1	0
R/W	R/W	R/W	R/W	R/W	R/W	R	R/W	R/W
POR Reset	1	x	x	x	x	0	x	x
EXRST Reset	u	1	u	u	u	0	u	u
BOR Reset	u	u	1	u	u	0	u	u
WDT Reset	u	u	u	1	u	0	u	u
Soft reset	u	u	u	u	1	0	u	u
Stack overflow reset	u	u	u	u	u	0	1	u
PLVD Reset	u	u	u	u	u		u	1
Flag	PORF	EXRSTF	BORF	WDTRF	SWRF	-	SPOVF	PLVRSTF

Note: x is undefined value, u indicates the value is determined by the value before current reset, it is recommended to clear the registers after POR Reset.

Bit	Flag	Introductions
7	PORF	Power-on reset flag 0 : No power-on reset 1 : Power-on reset generated, software clear 0
6	EXRSTF	External RST reset flag 0 : No external RST reset 1 : External RST reset generated, software clear 0
5	BORF	Under voltage reset flag 0 : No undervoltage reset 1 : Undervoltage reset generated, software clear 0
4	WDTRF	WDT Reset flag 0 : No WDT reset

		1 : WDT reset generated, software clear 0
3	SWRF	Software Reset flag 0 : No software reset 1 : Software reset generated , software clear 0
2	-	Reserved
1	SPOVF	Stack overflow flag 0 : No stack overflow reset 1 : Stack overflow reset generated, software clear 0
0	PLVRSTF	External port voltage detection reset flag 0 : External port voltage detection reset 1 : External port voltage detection reset generated, software clear0

6.9.2 BOR voltage detection control register (BORC)

Bit	7	6	5	4	3	2	1	0
R/W	R/W	R/W	R	R	R	R/W	R/W	R/W
Reset values	1	0	0	0	0	0	0	0
Flag	BOREN	BOR_DBC_EN	-			BORVS[2:0]		

Bit	Flag	Introductions
7	BOREN	BOR enable bit 0 : Disable BOR 1 : Enable BOR
6	BOR_DBC_EN	BOR debouncing enable bit 0 : Disabled 1 : Enabled
5-3	-	Reserved (read = 0b, write invalid)
2-0	BORVS[2:0]	BOR detection of voltage selection bit 000 : 1.8V 001 : 2.0V 010 : 2.4V 011 : 2.6V 100 : 3.0V 101 : 3.6V 110 : 3.9V 111 : 4.2V

6.9.3 BOR voltage detection debouncing control register (BORDBC)

Bit	7	6	5	4	3	2	1	0
R/W	R/W	R/W	R/W	R/W	R/W	R/W	R/W	R/W
Reset values	0	0	0	0	0	0	0	0
Flag	BORDBC[7:0]							

Bit	Flag	Introductions
7-0	BORDBC[7:0]	BOR debouncing control bit Debouncing time = BORDBC[7:0] * 8T _{CPU} + 2 T _{CPU} Note: need to enable BOR_DBC_EN, otherwise BOR no debouncing.

Note: In power-down mode BOR debouncing is turn off automatically, open it automatically when exit power-down mode.

6.9.4 External RST debouncing control register (RSTDBC)

Bit	7	6	5	4	3	2	1	0
R/W	R/W	R/W	R/W	R/W	R/W	R/W	R/W	R/W
Reset values	1	1	1	1	1	1	1	1
Flag	RSTDBC[7:0]							

Bit	Flag	Introductions
7-0	RSTDBC[7:0]	External RST debouncing control bit debouncing time = RSTDBC[7:0] * 8T _{CPU} + 2 T _{CPU}

Note: System turns off the external RST debouncing functions automatically in power-down mode, opens automatically after exit the power-down mode.

6.9.5 Stack overflow reset enable registers (SPOV_RSTEN)

Bit	7	6	5	4	3	2	1	0
R/W	R	R	R	R	R	R	R	R/W
Reset values	0	0	0	0	0	0	0	0
Flag	-							SPOV_RSTEN

Bit	Flag	Introductions
7-1	-	Reserved (read = 0b,,write invalid)
0	SPOV_RSTEN	Stack overflow reset enable bit 0 : Disable the stack overflow reset bit 1 : Enable the stack overflow reset bit

7 General and multiplexed I/O

7.1 General and multiplexed I/O characteristics Features

- Provides 32 bi-directional I/O ports
- Multiple modes configuration

7.2 I/O mode

All HC89F0541/0531 I/O ports can be configured into flexible working modes by the software, include: input, Schmitt input, open drain output, open drain output with pull-up. Else all IO pull-up and pull-down drive can be configured independently.

When all HC89F0541/0531 I/O ports configure to output mode, meanwhile need to set OUTEN and INEN to 1, but at the time configuring input mode, only need set INEN to 1.

After HC89F0541/0531 POR, within 7ms+option selection waiting time(1/4/8/16ms), TMS(P2.0), TDI(P2.3) ports are input state, TCK(P2.2) port is input pull-down state, others ports are analog input state.

When HC89F0541/0531 in input mode (does not include analog input), when execute any read operations, the data sources are from the Pin level. But in output mode, the read data sources distinguished by instructions, "read - modify - write" commands are used to read registers, and other commands is used to read the Pin level.

7.3 I/O port registers

7.3.1 P0 port data register P0

Bit	7	6	5	4	3	2	1	0
R/W	R/W	R/W	R/W	R/W	R/W	R/W	R/W	R/W
Reset values	0	0	0	0	0	0	0	0
Flag	P0 [7:0]							

Bit	Flag	Introductions
7-0	P0 [7:0]	P0 port data register

7.3.2 P1 port data register P1

Bit	7	6	5	4	3	2	1	0
R/W	R	R	R	R	R	R	R/W	R/W
Reset values	0	0	0	0	0	0	0	0
Flag	P1 [7:0]							

Bit	Flag	Introductions
7-0	P1 [7:0]	P1 port data register

7.3.3 P2 port data register P2

Bit	7	6	5	4	3	2	1	0
R/W	R/W	R/W	R/W	R/W	R/W	R/W	R/W	R/W
Reset values	0	0	0	0	0	0	0	0
Flag	P2 [7:0]							

Bit	Flag	Introductions
-----	------	---------------

7-0	P2 [7:0]	P2 port data register
-----	----------	-----------------------

7.3.4 P3 port data register P3

Bit	7	6	5	4	3	2	1	0
R/W	R/W	R/W	R/W	R/W	R/W	R/W	R/W	R/W
Reset values	0	0	0	0	0	0	0	0
Flag	-	-	P3.5	P3.4	P3.3	P3.2	P3.1	P3.0

Bit	Flag	Introductions
5-0	P3 [5:0]	P3.5_P3.0 port data register

7.3.5 P0 port mode register P0M0~P0M7

P0M_x (x=0~7)

Bit	7	6	5	4	3	2	1	0
R/W	R/W	R/W	R/W	R/W	R/W	R/W	R/W	R/W
Reset values	0	0	0	0	0	0	1	0
Flag	OUTEN _x	INEN _x	PHEN _x	PLEN _x	SMTEN _x	ODEN _x	DREN _x [1:0]	

Bit	Flag	Introductions
7	OUTEN _x	0: Output disable 1: Output enable
6	INEN _x	0: Output disable 1: Output enable
5	PHEN _x	0: Pull-up function disable 1: Pull-up function enable
4	PLEN _x	0: Pull-down function disable 1: Pull-down function enable
3	SMTEN _x	0: Schmitt function disable 1: Schmitt function enable
2	ODEN _x	0: Open drain output disable 1: Open drain output enable
1-0	DREN _x [1:0]	00: Port drive Level3 01: Port drive Level2 10: Port drive Level1 11: Port drive Level0 Note: detailed drive capability please refer electrical characteristics

Note:

- When I/O ports configure to output mode, meanwhile need to set OUTEN and INEN to 1, but at the time configuring input mode, only need set INEN to 1.
- When port as ADC input, PLVD and COM/SEG as analog function, user don't need to configure port mode register, keep reset value or set to 0x00.

7.3.6 P1 port mode register P1M0~P1M7

P1M_x (x = 0~7)

Bit	7	6	5	4	3	2	1	0
R/W	R/W	R/W	R/W	R/W	R/W	R/W	R/W	R/W
Reset values	0	0	0	0	0	0	1	0
Flag	OUTEN _x	INEN _x	PHEN _x	PLEN _x	SMTEN _x	ODEN _x	DREN _x [1:0]	

Bit	Flag	Introductions
7	OUTEN _x	0: Output disable 1: Output enable
6	INEN _x	0: Output disable 1: Output enable
5	PHEN _x	0: Pull-up function disable 1: Pull-up function enable
4	PLEN _x	0: Pull-down function disable 1: Pull-down function enable
3	SMTEN _x	0: Schmitt function disable 1: Schmitt function enable
2	ODEN _x	0: Open drain output disable 1: Open drain output enable
1-0	DREN _x [1:0]	00: Port drive Level3 01: Port drive Level2 10: Port drive Level1 11: Port drive Level0 Note: detailed drive capability please refer electrical characteristics

Note:

1. When I/O ports configure to output mode, meanwhile need to set OUTEN and INEN to 1, but at the time configuring input mode, only need set INEN to 1.
2. When port as ADC input, PLVD and COM/SEG as analog function, user don't need to configure port mode register, keep reset value or set to 0x00.

7.3.7 P2 port mode register P2M0~P2M7

P2M_x (x = 0~7)

Bit	7	6	5	4	3	2	1	0
R/W	R/W	R/W	R/W	R/W	R/W	R/W	R/W	R/W
Reset values	0	0	0	0	0	0	1	0
Flag	OUTEN _x	INEN _x	PHEN _x	PLEN _x	SMTEN _x	ODEN _x	DREN _x [1:0]	

Bit	Flag	Introductions
7	OUTEN _x	0: Output disable 1: Output enable
6	INEN _x	0: Output disable 1: Output enable
5	PHEN _x	0: Pull-up function disable 1: Pull-up function enable
4	PLEN _x	0: Pull-down function disable 1: Pull-down function enable
3	SMTEN _x	0: Schmitt function disable 1: Schmitt function enable
2	ODEN _x	0: Open drain output disable 1: Open drain output enable
1-0	DREN _x [1:0]	00: Port drive Level3 01: Port drive Level2 10: Port drive Level1 11: Port drive Level0 Note: detailed drive capability please refer electrical characteristics

Note:

1. When I/O ports configure to output mode, meanwhile need to set OUTEN and INEN to 1, but at the time configuring input mode, only need set INEN to 1.
2. When port as ADC input, PLVD and COM/SEG as analog function, user don't need to configure port mode register, keep reset value or set to 0x00.

7.3.8 P3 port mode register P3M0~P3M7

P3M_x (x = 0~7)

Bit	7	6	5	4	3	2	1	0
R/W	R/W	R/W	R/W	R/W	R/W	R/W	R/W	R/W
Reset values	0	0	0	0	0	0	1	0
Flag	OUTEN _x	INEN _x	PHEN _x	PLEN _x	SMTEN _x	ODEN _x	DREN _x [1:0]	

Bit	Flag	Introductions
7	OUTEN _x	0: Output disable 1: Output enable
6	INEN _x	0: Output disable 1: Output enable
5	PHEN _x	0: Pull-up function disable 1: Pull-up function enable
4	PLEN _x	0: Pull-down function disable 1: Pull-down function enable
3	SMTEN _x	0: Schmitt function disable 1: Schmitt function enable
2	ODEN _x	0: Open drain output disable 1: Open drain output enable
1-0	DREN _x [1:0]	00: Port drive Level3 01: Port drive Level2 10: Port drive Level1 11: Port drive Level0 Note: detailed drive capability please refer electrical characteristics

Note:

1. When I/O ports configure to output mode, meanwhile need to set OUTEN and INEN to 1, but at the time configuring input mode, only need set INEN to 1.
2. When port as ADC input, PLVD and COM/SEG as analog function, user don't need to configure port mode register, keep reset value or set to 0x00.

7.3.9 Ports debouncing control register P0DBC, P1DBC, P2DBC

Bit	7	6	5	4	3	2	1	0
R/W	R/W	R/W	R/W	R/W	R/W	R/W	R/W	R/W
Reset values	0	0	0	0	0	0	0	0
Flag	P0xDBCLK[1:0]		P0xDBCT[5:0]					

Bit	Flag	Introductions
7-6	P0xDBCLK [1:0]	Port debouncing clock select 00 : $F_{osc} / 1$ 01 : $F_{osc} / 4$ 10 : $F_{osc} / 16$ 11 : $F_{osc} / 64$ Note: x is 0, 1 or 2.
5-0	P0xDBCT [5:0]	Port debouncing count number of clock, when configured as a 00, no debouncing. Time debouncing time is the time need to maintain for the level of its corresponding port when port input, in need of attention, assigned to the function foot of the three Pins, external interrupt input, fault detection Pin is affected by debouncing control, and P02DBC[7:0] is P0.2 debouncing control registers. Note: P0xDBCT [5:0] configuration for debouncing time is a range, scale factor * T_{osc} * P0xDBCT [5:0] - T_{osc} < debouncing time < scale factor * T_{osc} * (P0xDBCT [5:0] + 1) - T_{osc} .

7.4 Peripheral function Ports total mapping control

Most of the multiplexed ports that can be mapped to any I/O port, but except PWM fault detection of foot, ADC input, INT0-17 function ports and so on.

7.4.1 Peripheral function Ports total mapping control registers

Extension SFR Address	Extension SFR	Extension SFR Address	Extension SFR	Extension SFR Address	Extension SFR	Extension SFR Address	Extension SFR
0xFF80	T0_MAP	0xFF90	PWM0_MAP	0xFFA0	TXD_MAP	0xFFB0	-
0xFF81	T1_MAP	0xFF91	PWM01_MAP	0xFFA1	RXD_MAP	0xFFB1	-
0xFF82	-	0xFF92		0xFFA2	SCL_MAP	0xFFB2	-
0xFF83	T3_MAP	0xFF93	-	0xFFA3	SDA_MAP	0xFFB3	-
0xFF84	T4_MAP	0xFF94	PWM1_MAP	0xFFA4	\overline{SS} _MAP	0xFFB4	-
0xFF85	T5_MAP	0xFF95	PWM11_MAP	0xFFA5	SCK_MAP	0xFFB5	-
0xFF86	-	0xFF96		0xFFA6	MOSI_MAP	0xFFB6	-
0xFF87	-	0xFF97	-	0xFFA7	MISO_MAP	0xFFB7	-
0xFF88		0xFF98	PWM2_MAP	0xFFA8	TXD2_MAP	0xFFB8	-
0xFF89	-	0xFF99	PWM21_MAP	0xFFA9	RXD2_MAP	0xFFB9	-
0xFF8A		0xFF9A		0xFFAA	-	0xFFBA	-
0xFF8B		0xFF9B	-	0xFFAB	-	0xFFBB	-
0xFF8C		0xFF9C	PWM3_MAP	0xFFAC	-	0xFFBC	-
0xFF8D	-	0xFF9D	-	0xFFAD	-	0xFFBD	-
0xFF8E	-	0xFF9E	-	0xFFAE	-	0xFFBE	-
0xFF8F	CLKO_MAP	0xFF9F	-	0xFFAF	-	0xFFBF	-

Note: the above SFR are external extension XSFR, use MOVX to read and write.

Bit	7	6	5	4	3	2	1	0
R/W	R	R	R/W	R/W	R	R/W	R/W	R/W
Reset values	0	0	1	1	0	1	1	1
Flag	-	-	FPORT[1:0]		-	FPIN [2:0]		

Bit	Flag	Introductions
7-6	-	Reserved bit
5-4	FPORT[1:0]	Mapping port selection bit 00 : P0 01 : P1 10 : P2 11: P3
3	-	Reserved bit
2-0	FPIN [2:0]	Mapping port output pin selection bit FPIN [2:0] = x(x = 0... 7), the corresponding port name selected x (x = 0 ... 7)pin

Note: As output function, many to one mapping will be prohibited by system, but as input function, system will enable many to one mapping.

Above registers reset value is 0x37, after reset All IO are GPIO, user must configure above registers before using the peripheral function Pin, otherwise the peripheral functions will not be available.

For example:

UART1 TXD RXD map to P2.1 P2.2 pin, the user must do the following configuration before start to use UART1:

```

MOV A,    #0x21    //TXD-->P2.1
MOV DPTR, #0XFFA0
MOVX     @DPTR,A
MOV A,    #0x22    //RXD-->P2.2
MOV DPTR, #0XFFA1
MOVX     @DPTR,A
    
```

User need to map UART1 TXD RXD to P0.4 P0.5 pin in the next design, the user must do the following configuration:

```

MOV A,    #0x04    //TXD-->P0.4
MOV DPTR, #0XFFA0
MOVX     @DPTR,A
MOV A,    #0x05    //RXD-->P0.5
MOV DPTR, #0XFFA1
MOVX     @DPTR,A
    
```

When more than one outputs are mapped to a port, there can be only one valid output, the following is the default priorities:

Sequence of priority	Multiplexed port function
1	PWM0
2	PWM01
3	PWM1
4	PWM11
5	PWM2
6	PWM21
7	PWM3
8	CLKO
9	T0_OUT
10	T1_OUT
11	T4_OUT
12	TXD
13	RXD
14	SCK
15	MOSI
16	MISO
17	TXD2

For example: CLKO_MAP is configured to 0x01, select P0.1 as CLKO output port, T4_MAP also is configured to 0x01, as the priorities above, the hardware will configure P0.1 as CLKO output port, and T4_MAP configuration is invalid.

When all the port-mapped control registers is not equal 0x01, that is to say all function ports are not select P0.1 as the input/output port, and at this time the port output is first bit of P0 port data register.

Input can be configured as multiple functions from the entry of a PAD Pin, such as:

Configure T0_MAP to 0x23, need select P2.3 as T0 input port, T5_MAP is also configured to 0x23, and the signal into to P2.3 port is valid to T3 and T5 simultaneously..

When configure TXD and RXD to one port, and if the ports are set to output this time, TXD and RXD will connected together internally.

When as input, regardless of any functions of port, read port data register equal read the values on Pin.

8 Interrupt

8.1 Interrupt characteristics

- 18 interrupt sources
- 4 level interrupt priorities
- Upto 26 external interrupts
- 8 falling interrupt

8.2 Interrupt summary

interrupt sources	Vector address	Enable bit	Flag bit	Query priority	interrupt number (C Language)
INT0	0003H	EX0	INT0F	1(highest)	0
T0	000BH	ET0	TF0	2	1
INT1	0013H	EX1	INT1F	3	2
T1	001BH	ET1	TF1	4	3
UART1	0023H	ES1	TI/RI	5	4
WDT	002BH	EWDT	WDTRF	6	5
LVD	0033H	LVDIE	LVDF	7	6
UART2	003BH	ES2	TI/RI	8	7
SPI	0043H	ESPI	SPIF/MODF	9	8
IIC	004BH	EIIC	SI	10	9
T3	0053H	ET3	TF3	11	10
T4	005BH	ET4	TF4	12	11
PWM	0063H	PWMFIE	PWMxIF (x = 0,1,2,3)	13	12
T5	006BH	ET5	TF5	14	13
ADC	007BH	EADC	ADCIF (x = 0,1)	16	15
INT2- INT7	0083H	EINx (x =2...7)	INTxF (x = 2...7)	17	16
INT8-INT17	008BH	EINx (x =8...17)	INTxF (x = 8...17)	18	17
P2INT	0093H	EP2INT	P2INTF	19	18

Note: except the enable and flags bit above have been set, to respond to interrupts the interrupt switch bit EA is enabled, otherwise does not respond to any interrupt.

8.3 Interrupt vectors

When an interrupt occur, data in program counter is push to stack, the corresponding interrupt vector addresses are loaded in program counter. Entrance of the interrupt vector interrupt is described in interrupt summary chapter.

8.4 Interrupt priority

Each interrupt source can be individually set to one of the 4 interrupt priorities, through the corresponding bit in IP0, IP1, IP2, IP3 to implementation. Interrupt priority service program description as below:

When system respond to an interrupt service program, can respond to higher-priority interrupts, but

cannot respond another interrupt with same or low priority.

When system respond to the highest level interrupt service program, do not respond to any other interrupts. If different priorities interrupt sources in apply for interrupt at the same time, system will respond to higher priority interrupt request.

If the same priority interrupt sources in apply for interrupt at the beginning of instruction cycle, the internal query priority decide the interrupt response sequence. Query priority detailed reference to interrupt summary.

interrupt priority	
Priority control (X for the function module)	Priority
Px[1:0]	
00	Priority 0 (lowest)
01	Priority 1
10	Priority 2
11	Priority 3 (highest)

8.5 Interrupt handling

When an interrupt is generated and the CPU in response, the main program is interrupted, then execute the following operations:

1. Completion of all of the instructions currently being executed;
2. The PC is pushed into the stack;
3. Scene protection;
4. Prevent other interrupts of the same level;
5. The interrupt vector address is loaded into the program counter PC;
6. Execute the corresponding interrupt service program.

Interrupt service program ISR finish the interrupt related operation of. ISR is ended by RETI (return from interrupt) instruction, PC value pop from the stack, and restore the original interrupt setting, then execute program from the break in main program.

When an interrupt is responded, the value loaded into the program counter PC known as an interrupt vector, it is correspond to the starting address of the interrupt service program of the interrupt source. The entry address of the interrupt service program (interrupt vector) detail information, user can refer the interrupt summary.

Since the entry address of interrupt vector is located in the start of the program memory, so the main program first instruction is the jump instruction usually, over the interrupt vector area (LJMP MAIN).

Need to take attention, user can't use RET instead of RETI instruction, RET instruction can also control PC go back to where the original interrupt, but RET Instruction has not the function to clear interrupt priority level trigger, interrupt control system deem the interrupt is still in progress, the consequence is the same level or low-level interrupt request is not be responded.

If user executes the operation of push stack in the interrupt service program, the corresponding pop stack operation should be executed before RETI instruction, that is to say in the interrupt service program PUSH and POP Instruction must be used in pairs, otherwise the system cannot be returned correctly.

Note: any registers is valid with high bits modified first then low bits modified, when modify high bits, don't effect interrupt response, but the interrupt will be responded after low bits modified or run one others instruction is needed.

8.6 External interrupt

HC89F0541/0531 have 4 -external interrupt vector entrances, external interrupts 0 ~ 1 has a separate entrance to the interrupt vector respectively, and external interrupts 2 ~ 7 share a common interrupt vector entrance, external interrupts 8 ~ 17 share a common interrupt vector entrance, thus the total have 18 external interrupt inputs, all interrupts can be set 4 trigger modes, namely the rising edge, falling edge, double edge and low level.

P2 port can generate falling edge interrupt, 8 ports share a interrupt entrance, only one flag, can judge which port has generated falling edge interrupt by query port level state, if the interrupts are generated

synchronously, then system cannot distinguish.

When user call the interrupt service program, external interrupts 0 ~ 1 will be cleared to 0 by hardware automatically, external interrupt 2 ~ 15 flags must be cleared by software. If interrupt service is completed and an external interrupt is still maintained, the next interrupt will be generated.

The function of external interrupt 0~2 is on port P0.0~P0.2 respectively, when in the use of an external interrupt 0~2, the user can set external interrupts 0~2 to generate valid interrupt request that need the debouncing time, user can set debouncing time of P0.0~P0.2 port, detail description of ports debouncing control registers P00DBC,P01DBC, P02DBC.

8.7 Interrupt registers

8.7.1 Interrupt enable register IE,IE1, IE2

IE

Bit	7	6	5	4	3	2	1	0
R/W	R/W	R/W	R/W	R/W	R/W	R/W	R/W	R/W
Reset values	0	0	0	0	0	0	0	0
Flag	EA	ES2	EWDT	ES1	BTV	EX1	ET0	EX0

Bit	Flag	Introductions
7	EA	CPU total interruption enable control bit 0 : Disable CPU interrupt 1 : Enable CPU interrupt
6	ES2	UART2 interrupt enable bit 0 : Disable UART2 interrupt 1 : Enable UART2 interrupt
5	EWDT	WDT interrupt enable bit 0 : Disable WDT interrupt 1 : Enable WDT interrupt
4	ES1	UART1 interrupt enable bit 0 : Disable UART1 interrupt 1 : Enable UART1 interrupt
3	BTV	T1 interrupt enable bit 0 : Disable T1 interrupt 1 : Enable T1 interrupt
2	EX1	Interrupt enable bit of external interrupt 1 0 : Disable INT1 interrupt 1 : Enable INT1 interrupt
1	ET0	T0 interrupt enable bit 0 : Disable T0 interrupt 1 : Enable T0 interrupt
0	EX0	Interrupt enable bit of external interrupt 0 0 : Disable INT0 interrupt 1 : Enable INT0 interrupt

IE1

Bit	7	6	5	4	3	2	1	0
R/W	R/W	R/W	R/W	R/W	R	R/W	R/W	R/W
Reset values	0	0	0	0	0	0	0	0
Flag	EX8_15	EX2_7	EADC	ET5	-	BTS	ET3	ESPI

Bit	Flag	Introductions
7	EX8_15	External interrupt 8~15 interrupts enable bit

		0 : Disable INT8~INT15 interrupts 1 : Enable INT8~INT15 interrupts Note: INT8~INT15 share the same interrupt vector.
6	EX2_7	External interrupt 2~7 interrupt enable bit 0 : Disable INT2~INT7 interrupts 1 : Enable INT2~INT7 interrupts Note: INT2~INT7 share the same interrupt vector.
5	EADC	A/D Conversion complete interrupt enable bit 0 : Disable A/D interrupt 1 : Enable A/D interrupt
4	ET5	T5 interrupt enable bit 0 : Disable T5 interrupt 1 : Enable T5 interrupt
3	-	Reserved bit
2	BTS	T4 interrupt enable bit 0 : Disable T4 interrupt 1 : Enable T4 interrupt
1	ET3	T3 interrupt enable bit 0 : Disable T3 interrupt 1 : Enable T3 interrupt
0	ESPI	SPI interrupt enable bit 0 : Disable SPI interrupt 1 : Enable SPI interrupt

IE2

Bit	7	6	5	4	3	2	1	0
R/W	R	R	R	R	R	R	R/W	R/W
Reset values	0	0	0	0	0	0	0	0
Flag							EXP2	EX8_17

Bit	Flag	Introductions
7		
1	EXP2	P2 port falling edge interrupt enable bit 0: Disable P2 port falling edge interrupt enable 1: Enable P2 port falling edge interrupt enable
0	EX8_17	External interrupt 8~17 enable bit 0: Disable INT8~INT17interrupt 1: Enable INT8~INT17interrupt Note: INT8~INT17 share one interrupt vector

8.7.2 Interrupt priority selection register IP0,IP1, IP2,IP3,IP4

IP0

Bit	7	6	5	4	3	2	1	0
R/W	R/W	R/W	R/W	R/W	R/W	R/W	R/W	R/W
Reset values	0	0	0	0	0	0	0	0
Flag	PT1 [1:0]		PX 1[1:0]		PT0 [1:0]		PX0 [1:0]	

Bit	Flag	Introductions
7-6	PT1 [1:0]	T1 interrupt priority control bits
5-4	PX 1[1:0]	INT1 interrupt priority control bits
3-2	PT0 [1:0]	T0 interrupt priority control bits
1-0	PX0 [1:0]	INT0 interrupt priority control bits

IP1

Bit	7	6	5	4	3	2	1	0
R/W	R/W	R/W	R/W	R/W	R/W	R/W	R/W	R/W
Reset values	0	0	0	0	0	0	0	0
Flag	PS2 [1:0]		PLVD [1:0]		PWDT [1:0]		PS1 [1:0]	

Bit	Flag	Introductions
7-6	PS2 [1:0]	UART2 interrupt priority control bits
5-4	PLVD [1:0]	LVD interrupt priority control bits
3-2	PWDT [1:0]	WDT interrupt priority control bits
1-0	PS1 [1:0]	UART1 interrupt priority control bits

IP2

Bit	7	6	5	4	3	2	1	0
R/W	R/W	R/W	R/W	R/W	R/W	R/W	R/W	R/W
Reset values	0	0	0	0	0	0	0	0
Flag	PT4[1:0]		PT3[1:0]		PIIC[1:0]		PSPI[1:0]	

Bit	Flag	Introductions
7-6	PT4[1:0]	T4 interrupt priority control bits
5-4	PT3[1:0]	T3 interrupt priority control bits
3-2	PIIC [1:0]	IIC interrupt priority control bits
1-0	PSPI [1:0]	SPI interrupt priority control bits

IP3

Bit	7	6	5	4	3	2	1	0
R/W	R/W	R/W	R/W	R/W	R/W	R/W	R/W	R/W
Reset values	0	0	0	0	0	0	0	0
Flag	PADC[1:0]		-		PT5[1:0]		PPWM [1:0]	

Bit	Flag	Introductions
7-6	PADC[1:0]	ADC interrupt priority control bits
5-4	-	Reserved
3-2	PT5[1:0]	T5 interrupt priority control bits
1-0	PPWM [1:0]	PWM interrupt priority control bits

IP4

Bit	7	6	5	4	3	2	1	0
R/W	R/W	R/W	R/W	R/W	R/W	R/W	R/W	R/W
Reset values	0	0	0	0	0	0	0	0
Flag	-		PP2INT[1:0]		PX8_17[1:0]		PX2_7[1:0]	

Bit	Flag	Introductions
7-6	-	Reserved
5-4	PP2INT[1:0]	P2 external interrupt priority control bit
3-2	PX8_17 [1:0]	INT8_17 interrupt priority control bits
1-0	PX2_7[1:0]	INT2_7 interrupt priority control bits

interrupt priority	
Priority control (x for the function module)	Priority
Px[1:0]	
00	Priority 0 (lowest)
01	Priority 1
10	Priority 2
11	Priority 3 (highest)

8.7.3 External interrupt level selection registers PITS0,PITS1, PITS2, PITS3, PITS4

PITS0

Bit	7	6	5	4	3	2	1	0
R/W	R/W	R/W	R/W	R/W	R/W	R/W	R/W	R/W
Reset values	0	0	0	0	0	0	0	0
Flag	IT3[1:0]		IT2[1:0]		IT1[1:0]		IT0[1:0]	

PITS1

Bit	7	6	5	4	3	2	1	0
R/W	R/W	R/W	R/W	R/W	R/W	R/W	R/W	R/W
Reset values	0	0	0	0	0	0	0	0
Flag	IT7[1:0]		IT6[1:0]		IT5[1:0]		IT4[1:0]	

PITS2

Bit	7	6	5	4	3	2	1	0
R/W	R/W	R/W	R/W	R/W	R/W	R/W	R/W	R/W
Reset values	0	0	0	0	0	0	0	0
Flag	IT11[1:0]		IT10[1:0]		IT9[1:0]		IT8[1:0]	

PITS3

Bit	7	6	5	4	3	2	1	0
R/W	R/W	R/W	R/W	R/W	R/W	R/W	R/W	R/W
Reset values	0	0	0	0	0	0	0	0
Flag	IT15[1:0]		IT14[1:0]		IT13[1:0]		IT12[1:0]	

PITS4

Bit	7	6	5	4	3	2	1	0
R/W	R	R	R	R	R/W	R/W	R/W	R/W
Reset values	0	0	0	0	0	0	0	0
Flag					IT17[1:0]		IT16[1:0]	

Bit	Flag	Introductions
7-6 5-4 3-2 1-0	ITx[1:0] (x = 0... 7)	External interrupt trigger edge selection bits 00 : Low level interrupts 01 : Falling edge interrupts 10 : Rising edge interrupts 11 : Double edge interrupts

8.7.4 External interrupt 2-15 enable control register PINTE0, PINTE1, PINTE2

PINTE0

Bit	7	6	5	4	3	2	1	0
R/W	R/W	R/W	R/W	R/W	R/W	R/W	R	R
Reset values	0	0	0	0	0	0	0	0
Flag	EINT7	EINT6	EINT5	EINT4	EINT3	EINT2	-	

Bit	Flag	Introductions
7-2	EINT _x (x =2...7)	External interrupt control bits (INT2~INT7) 0 : Disable the port interrupts 1 : Enable the port interrupts Note: As long as the corresponding EINT _x (x =2...7) bits are enabled, the corresponding interrupt flags can be set to 1, otherwise, corresponding flags will not be set to 1.
1-0	-	Reserved (read = 0b., write invalid)

PINTE1

Bit	7	6	5	4	3	2	1	0
R/W	R/W	R/W	R/W	R/W	R/W	R/W	R/W	R/W
Reset values	0	0	0	0	0	0	0	0
Flag	EINT15	EINT14	EINT13	EINT12	EINT11	EINT10	EINT9	EINT8

Bit	Flag	Introductions
7-0	EINT _x (x =8...15)	External interrupt control bits (INT8~INT15) 0 : Disable the port interrupts 1 : Enable the port interrupts Note: 1. As long as the corresponding EINT _x (x =8...15) bits are enabled, the corresponding interrupt flags can be set to 1, otherwise, corresponding flags will not be set to 1.

PINTE2

Bit	7	6	5	4	3	2	1	0
R/W	R	R	R	R	R	R	R/W	R/W
Reset values	0	0	0	0	0	0	0	0
Flag							EINT17	EINT16

Bit	Flag	Introductions
7-2	-	Reserved
1-0	EINT _x (x =16,17)	External interrupt control bits (INT16~INT17) 0 : Disable the port interrupts 1 : Enable the port interrupts Note: 1. As long as the corresponding EINT _x (x =16...17) bits are enabled, the corresponding interrupt flags can be set to 1, otherwise, corresponding flags will not be set to 1.

8.7.5 P2 falling edge interrupt enable control register P2INTE

Bit	7	6	5	4	3	2	1	0
R/W	R/W	R/W	R/W	R/W	R/W	R/W	R/W	R/W
Reset values	0	0	0	0	0	0	0	0
Flag	EP2INT7	EP2INT6	EP2INT5	EP2INT4	EP2INT3	EP2INT2	EP2INT1	EP2INT0

Bit	Flag	Introductions
7-0	EP2INT _x (x =0...7)	P2 falling edge interrupt control bits (P2.0~P2.7) 0: disable the port falling edge interrupt 1: enable the port falling edge interrupt Note: as long as EP2INT _x (x =0...7) is enabled, interrupt flag P2INTF probably be set to 1, otherwise, the flag can not be set to 1.

8.7.6 External interrupt flag register PINTF0, PINTF1, PINTF2

PINTF0

Bit	7	6	5	4	3	2	1	0
R/W	R/W	R/W	R/W	R/W	R/W	R/W	R/W	R/W
Reset values	0	0	0	0	0	0	0	0
Flag	INT7F	INT6F	INT5F	INT4F	INT3F	INT2F	INT1F	INT0F

Bit	Flag	Introductions
7-2	INT _x F (x =2...7)	INT2-INT7 interrupt request flags 0: Software clear 0 1: When external interrupts occur, hardware set 1
1-0	INT _x F (x = 0,1)	INT0 INT1 interrupt request flags 0 : When interrupt responded, hardware clear 0 automatically or software clear 0 1 : When external interrupts occur, hardware set 1

PINTF1

Bit	7	6	5	4	3	2	1	0
R/W	R/W	R/W	R/W	R/W	R/W	R/W	R/W	R/W
Reset values	0	0	0	0	0	0	0	0
Flag	INT15F	INT14F	INT13F	INT12F	INT11F	INT10F	INT9F	INT8F

Bit	Flag	Introductions
7-0	INT _x F (x =8...15)	INT8-INT15 interrupt request flag bits 0: Software clear 0 1 : When external interrupts occur, hardware set 1

PINTF2

Bit	7	6	5	4	3	2	1	0
R/W	R/W	R	R	R	R	R	R/W	R/W
Reset values	0	0	0	0	0	0	0	0
Flag	P2INTF						INT17F	INT16F

Bit	Flag	Introductions
7	P2INTF	P2 下 falling edge interrupt request flag 0: Interrupt request software clear 0 1: When meet external interrupt, hardware set 1
6-2	-	Reserved
1-0	INTxF (x =16,17)	INT16-INT17 中断请求标志位 0: Software clear 0 1: When meet external interrupt, hardware set 1

9 Timer/Counter

9.1 Timer/Counter characteristics

- Timer/Counter T0&T1 is not fully compatible with standard 8051, the difference mainly of function definition in the mode0.
- Timer/Counter T0&T1 support 16 bit automatic reload

9.2 Timer/Counter Tx(x = 0,1)

9.2.1 Timer/Counter Tx(x = 0,1) work mode

Two data of each Timer register (THx & TLx (x = 0, 1)) can be used as a 16 bit register to access, they are controlled by the register TCON TMOD. IE registers ET0 ET1 bits will enable Timer0 and Timer1 interrupt (See interrupt section chapter).

Select the Counter/Timer operation mode by selecting Mx[1:0] bit in counter/Timer mode register (TMOD).

Mx[1:0]	mode	Description
00	mode 0	16bit auto reload Timer/Counter
01	mode 1	16 -bit Timer/Counter
10	mode 2	8 Automatically reload Timer/Counter
11	mode 3	T0 divided into two (TL0/TH0) independent 8 -bit Timer/Counter (T1 no the mode)

9.2.1.1 Mode0: 16bit auto reload Timer/Counter

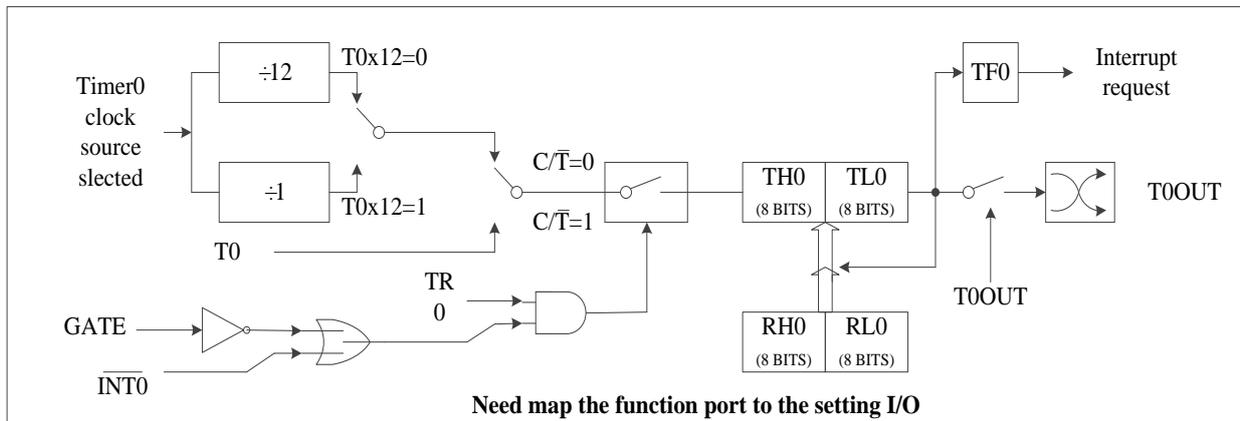


Figure 9 - 1 Timer0 mode0 function block diagram

Mode0 is not compatible with the standard 8051, it is a 16 bit automatically reload Timer/Counter, when THx & TLx(x = 0, 1) was written, it is used as a Timer reload register, when be read, it is used as count register. When TRx (x = 0, 1) value is 0, write THx & TLx (x = 0, 1) two registers sequentially, the write value is written into the reloaded register and count register at the same time, when TRx (x = 0, 1) is set to 1, the count register value increments the count from the written data, after count to 0xFFFF, count counter will overflow after an additional clock, TFx (x = 0, 1) is set to 1, while 16 Data of reloaded registers is automatically reloaded into the counter register, counter starts to increment the count from the reload value.

When TRx(x = 0,1) is 1, THx & TLx(x = 0,1) write operations will not affect the value of the counter, can only change the value for reload registers, this changed value is reloaded into the count register after the next overflow. Only when TRx (x = 0, 1) is 0, write operation of THx & TLx (x = 0, 1) will also change the count register and reload register value at the same time.

Because of the TLx (x = 0,1) THx (x = 0,1) write operation require 2 instructions to complete, in order to ensure the accurate count, THx(x = 0,1) TLx(x = 0,1) register write operation with the TLx(x = 0,1) register write operations as a baseline. When user write reloaded registers, write THx (x = 0, 1) register does not valid immediately, but store in a buffer register temporarily, only the TLx (x = 0, 1) register write operations will enable THx(x = 0, 1) and TLx(x = 0, 1) registers at the same time.

Therefore, THx (x = 0, 1) TLx (x = 0, 1) read and write operations flow the following sequence:

Write: high bit first then low

Read: high bit first then low

User need to take attention is during a write operation, when TRx(x = 0,1) is 0, start with high bit then low, reload data will directly reloaded to the counter register, when TRx(x = 0,1) is 1, start with high bit then low, reload data only will be reloaded to the count register in the next overflow . If user write low bit then high, high data is invalid (invalid: indicates that the data cannot be updated when an reload occur), until the next write operation to the low data, previously written high data to be valid (valid indicates reload data can be updated when an reload occur). If only write low bit, low data will also be available, for example, when T0 is executed as the following operation:

- (1) TH0 = 0x05;
- (2) TL0 = 0x08; // In case of reload, reload to the counter data is 0x0508
- (3) TH0 = 0x06; // In case of reload, reload to the counter data is still 0x0508
- (4) TL0 = 0x08; // In case of reload, reload to the counter data is 0x0608
- (5) TL0 = 0x09; // In case of reload, reload to the counter data is 0x0609

Apparently as long as modifying data reload, low bit has to be written once again, it is recommended they are modified at the same time every time.

Note: mode1, 2, 3 no this requirement.

9.2.1.2 Model: 16 -bit Timer/Counter

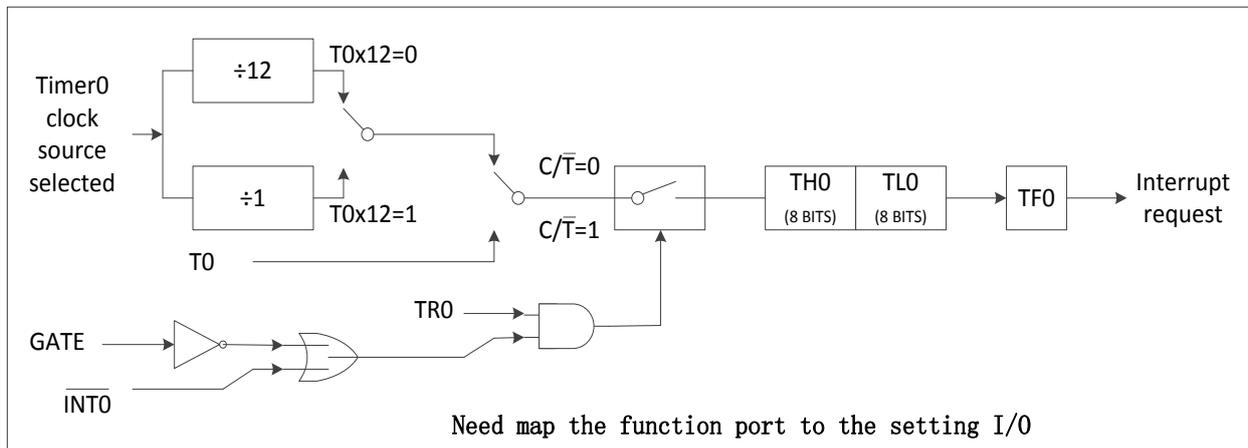


Figure 9 - 2 Timer0 1 mode1 function block diagram

In mode1, the Timer Tx (x = 0, 1) is 16 -bit counter/Timer. THx(x = 0, 1) register store high 8 bits data of 16 -bit counter/Timer, TLx (X = 0, 1) store low 8 bits. When 16 -bit Timer register increments to overflow, the system set Timer overflow flag TFx(x = 0, 1). If Timer x interrupt is enabled, it will generate an interrupt.

C/Tx (x = 0,1) bit select Counter/Timer function, if C/Tx (X = 0, 1) = 1,that will work in the external counter mode, when an external count clock falling edge occur, the Timer Tx data register will increment 1 . If c/Tx (x = 0, 1) = 0, select the system clock as the clock source of Timer Tx (x = 0, 1).

When GATEx (x = 0, 1) = 0, TRx set 1, open the Timer.

When GATEx (x = 0, 1) = 1, only when the external input signal INTx (x = 0, 1) is high level, TRx (x = 0,1) will be set to 1, the Timer Tx will count, which can be measured positive pulse width of INTx (x = 0,1). TRx(x = 0, 1) bit set 1 does not forcibly reset Timer, this means if TRx is set to 1, the Timer registers start to count from the value of TRx(x = 0, 1) is cleared to 0 last time. So before enable Timer, user should set the initial value of Timer registers.

9.2.1.3 Mode2: 8 auto reload Timer/Counter

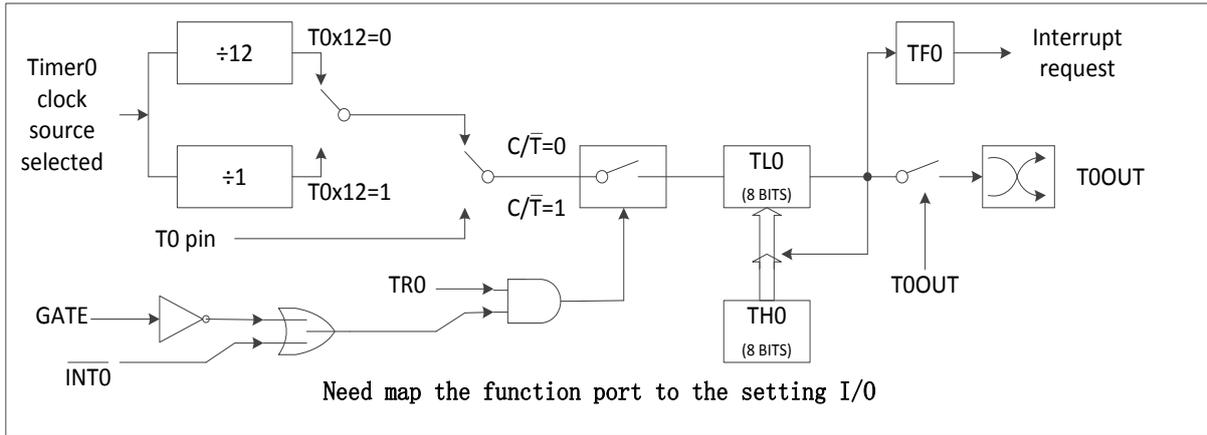


Figure 9 - 3 Timer0 mode2 Function block diagram

In mode2, the Timer Tx(x = 0, 1) is 8 bit auto reload counter/Timer. TLx (x = 0, 1) store the count value, THx (x = 0, 1) store the reload value. When TLx (x = 0, 1) counter increments to 0x00, Timer overflow flag TFx (x = 0, 1) is set, value in register THx (x = 0, 1) is reloaded into register TLx (x = 0, 1). If the Timer interrupt enabled, when TFx (x = 0, 1) bits are set to 1, an interrupt will generated, but the reload value in THx (x = 0, 1) do not change. Before enable Timer start counting, TLx (x = 0, 1) must be initialized to the value that user want.

In addition to auto reload function, in mode2, enable and configure to the counter/Timer mode0 is consistent with mode1. Configure TxX12 (x = 0, 1) bits in register TCON2 to select system clock or 1/12 system clock as clock source of Timer Tx (x = 0, 1).

When used as a Timer application, configure TxOUT[1:0](x = 0,1) bits in register TCON1 Tx(x = 0,1) to enable Timer Tx(x = 0,1) overflow, Pin of Timer Tx(x = 0,1) flip automatically.

9.2.1.4 Mode3: Two 8 -bit Timer/Counter (T1 no this mode)

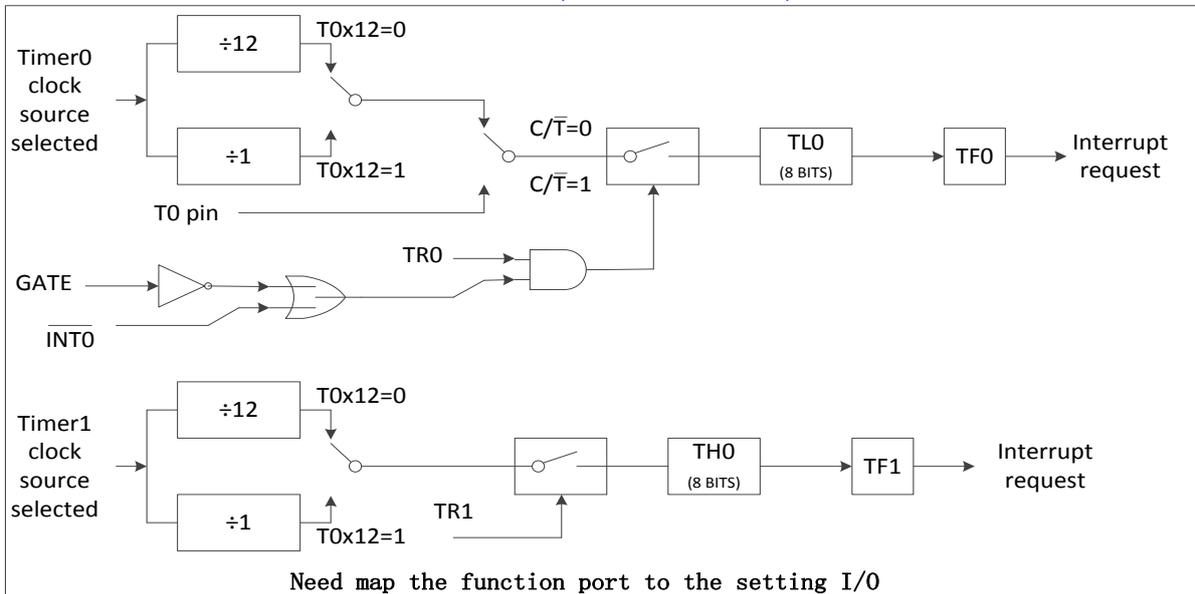


Figure 9 - 4 Timer0 3 function block diagram

In mode3 the Timer T0 as two independent 8 -bit counter/Timers, it is controlled by TL0 TH0 respectively. TL0 using Timer0 control (in TCON) and state (in TMOD) bits TR0, C/T0, GATE0 and TFO. TL0 can use system clock or external input signals as clock source.

TH0 can only be used as a Timer function, clock source is from the system clock. TH0 is controlled enable by Timer T1 control bit TR1, Timer T1 overflow flag TF1 is set to 1 when overflow, and control Timer T1 interrupt.

When Timer0 work in mode3, Timer1 can work in mode 0/1/2, but can't set TF1 and generate interrupt.

It can be used to generate the baud rate of serial port. TH1 and TL1 can only be used as a Timer, clock source from the system clock, and GATE1 bit is invalid. The pull-up resistance on T1 input pin is invalid. Timer1 is controlled enable or not by mode, because TR1 is occupied by Timer0. Timer1 is enabled in mode0/1/2, and is closed in mode3.

Configure TxX12(x = 0, 1) bits in register TCON1 to select the system clock or 1/12 of system clock as clock source of Timer Tx(x = 0, 1).

9.2.2 Timer/Counter Tx(x = 0,1) registers

9.2.2.1 Timer Tx(x = 0,1) control register TCON, TCON1

Bit	7	6	5	4	3	2	1	0
R/W	R/W	R/W	R/W	R/W	R	R	R	R
Reset values	0	0	0	0	0	0	0	0
Flag	TF1	TR1	TF0	TR0	-			

Bit	Flag	Introductions
7, 5	TF _x (x = 0,1)	Tx(x = 0,1) overflow flag 0 : Hardware clear 0 automatically when interrupt response, or software clear 0 1 : Hardware set 1 when Counter overflow
6, 4	TR _x (x = 0,1)	Tx(x = 0,1) operation control bit 0 : Stop Tx 1 : Start Tx
3-0	-	Reserved bit

TCON1

Bit	7	6	5	4	3	2	1	0
R/W	R	R	R/W	R/W	R	R	R/W	R/W
Reset values	0	0	0	0	0	0	0	0
Flag	-		T1OUT	T1X12	-		T0OUT	T0X12

Bit	Flag	Introductions
7, 6, 3, 2	-	Reserved (read = 0b., write invalid)
5, 1	TxOUT (x = 0,1)	Tx(x = 0,1) comparison output enable bits 0 : Disable Timer Tx comparison output function 1 : Enable Timer Tx comparison output function
4, 0	TxX12 (x = 0,1)	Tx(x = 0,1) Timer system clock scale frequency selection bits 0 : Tx Timer clock $F_{osc}/12$ 1 : Tx Timer clock F_{osc}

9.2.2.2 Timer Tx(x = 0, 1) mode register TMOD

Bit	7	6	5	4	3	2	1	0
R/W	R/W	R/W	R/W	R/W	R/W	R/W	R/W	R/W
Reset values	0	0	0	0	0	0	0	0
Flag	GATE1	C/T1	M1[1:0]		GATE0	C/T0	M0[1:0]	

Bit	Flag	Introductions
7, 3	GATE _x (x = 0,1)	Tx(x = 0,1) door control bit 0 : Just need a software set TR _x can start the Tx 1 : Only set TR _x 1 when the INT _x port is high level, Tx can work

6, 2	$C/\bar{T}x$ ($x = 0,1$)	$Tx(x = 0,1)$ Timer/Count function selection bits 0 : Tx for internal Timer 1 : Tx for external count
5-4 1-0	$Mx[1:0]$ ($x = 0,1$)	$Tx(x = 0,1)$ mode selection bits 00 : 0 16 -bit reload Timer/Counter 01 : 1 16 -bit Timer/Counter 10 : 2 8 auto reload initial value Timer /Counter 11 : 3 T0 divided into two (TL0/TH0) independent 8 -bit Timer/Counter; T1 stop count Note: T0 occupied the bits TR1/TF1 of T1 and interrupt source of in mode 3, because TR1 is occupied by T0, and needs to close T1 at this time, and user can set T1 to mode3.

9.2.2.3 Timer $Tx(x = 0, 1)$ Data register $TLx(x = 0, 1)$, $THx(x = 0, 1)$

$TLx(x = 0, 1)$

Bit	7	6	5	4	3	2	1	0
R/W	R/W	R/W	R/W	R/W	R/W	R/W	R/W	R/W
Reset values	0	0	0	0	0	0	0	0
Flag	$TLx[7:0](x = 0,1)$							

Bit	Flag	Introductions
7-0	$TLx[7:0]$ ($x = 0,1$)	$Tx(x = 0,1)$ low bytes of data register

$THx(x = 0,1)$

Bit	7	6	5	4	3	2	1	0
R/W	R/W	R/W	R/W	R/W	R/W	R/W	R/W	R/W
Reset values	0	0	0	0	0	0	0	0
Flag	$THx[7:0](x = 0,1)$							

Bit	Flag	Introductions
7-0	$THx[7:0]$ ($x = 0,1$)	$Tx(x = 0,1)$ high bytes of data register

9.3 Timer 3

Timer 3 is 16bit auto reload Timer, using two data register TH3 TL3 to access, and controlled by T3CON register. Set bit ET3 to 1 in IE1 registers enables Timer 3 interrupt (see interrupt chapter).

Timer 3 only has one mode: 16bit auto reload counter/Timer, user can set the prescaler ratio, and work in power-down mode.

Timer 3 has a 16 -bit counter/Timer register (TH3, TL3). When TH3 and TL3 are written, is used a reload Timer register; when are read, is used as a counter register. TR3 set 1 then Timer 3 start to increment count, from 0xFFFF to 0x0000 an overflow occurred, overflow will set the TF3 bit, and 16 -bit data in reload register is reloaded to count register at the same time.

When TR3 value is 1, write operation of TH3/TL3 will not affect the value of counter, and only change the reloaded register value, the changed value will be reloaded into count register at next overflow time. Only when TR3 is 0, write operation of TH3/TL3 will change the value of count and reload register synchronously.

Read or write operation of TH3 TL3 follow the following order: high bit first then low.

If T3CLKS[1:0] value is 00, the Timer 3 cannot work in power-down mode. If T3CLKS[1:0] value is 01, T3 port input an external clock, Timer 3 can work in normal mode or power-down mode (When system enter the power-down mode from high frequency mode (internal high-frequency RC)).

Note: When reading TH3 TL3, make sure TR3 = 0. (When TR3=1, because T3 is counting, read out TH3 and TL3 value is inaccurate).

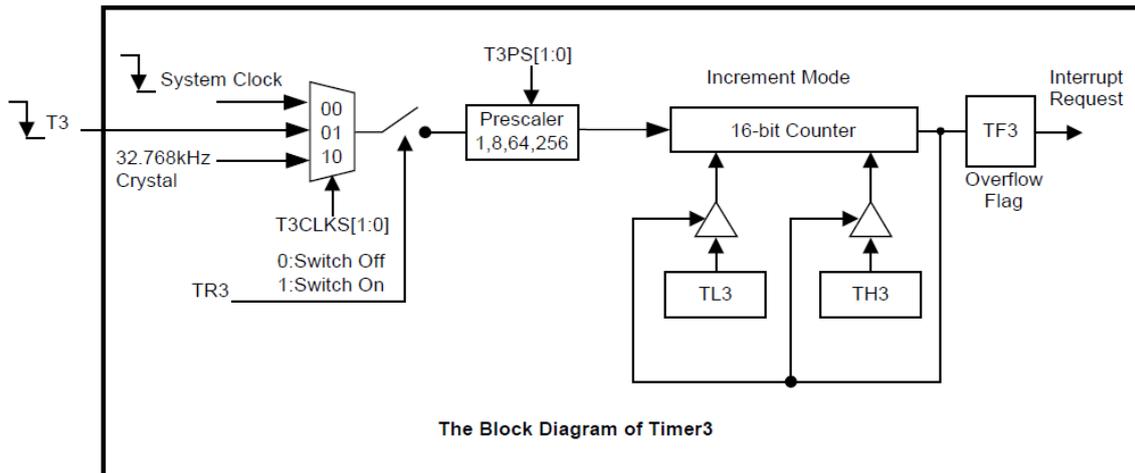


Figure 9 - 5 Timer3 function block diagram

9.3.1 Timer/Counter T3 registers

9.3.1.1 Timer T3 control register T3CON

T3CON

Bit	7	6	5	4	3	2	1	0
R/W	R/W	R/W	R/W	R/W	R	R/W	R/W	R/W
Reset values	0	0	0	0	0	0	0	0
Flag	TF3	T3PD_EN	T3PS[1:0]		-	TR3	T3CLKS [1:0]	

Bit	Flag	Introductions
7	TF3	Timer 3 overflow flag 0 : Without overflow (hardware clear 0),software can also clear 0 1 : Overflow (hardware set 1)
6	T3PD_EN	Timer 3 Operation control bit in power-down mode 0 : Disable Timer power-down mode 3 1 : Enable Timer power-down mode 3, at this time T3CLKS [1:0] is 01 Note: external oscillator enable bit XTALEN is 1, oscillator select low frequency, and configure to enable Timer3 work in power-down mode, when T3CLKS[1:0] is 10, if EA = 1 and ET3 = 1, after Timer3 overflow, the system will be waked up, and execute the interrupt service program of Timer3; if EA = 0 or ET3 = 0, the system will be waked up by Timer3, but no any program executed, it is not recommended to configure as this.
5-4	T3PS[1:0]	Timer 3 prescaler ratio selection bit 00 : 1/1 01 : 1/8 10 : 1/64 11 : 1/256
3	-	Reserved bit
2	TR3	Timer 3 control enable bit 0 : Disable Timer 3 1 : Enable Timer 3
1-0	T3CLKS [1:0]	Timer 3 count clock source selection bits 00 : The system clock F_{osc} 01 : T3 input an external clock 10 : Reserved 11 : Reserved (system clock F_{osc})

9.3.1.2 Timer T3 Data register TL3, TH3

TL3

Bit	7	6	5	4	3	2	1	0
R/W	R/W	R/W	R/W	R/W	R/W	R/W	R/W	R/W
Reset values	0	0	0	0	0	0	0	0
Flag	TL3							

Bit	Flag	Introductions
7-0	TL3	T3 low bytes of data registers

TH3

Bit	7	6	5	4	3	2	1	0
R/W	R/W	R/W	R/W	R/W	R/W	R/W	R/W	R/W
Reset values	0	0	0	0	0	0	0	0
Flag	TH3							

Bit	Flag	Introductions
7-0	TH3	T3 high bytes of data register

9.4 Timer/Counter 4

Timer 4 is 16 bit auto reload Timer. Two data registers TH4 and TL4 as a 16 -bit register to access, is controlled by T4CON register. Set IE1 register ET4 bit to 1 enables Timer 4 interrupt (see interrupt chapter).

When TH4 and TL4 are written, it is used as reload Timer register, when read, is used as count register. TR4 set 1 then Timer 4 start to increment count, from 0xFFFF to 0x0000 an overflow occurred, overflow will set the TF4 bit, and 16 -bit data in reload register is reloaded to count register at the same time.

TH4 TL4 Read or write operation follow the following order: high first then low.

9.4.1 Timer/Counter T4 work mode

Timer 4 there are three kinds of work **mode**: 16-bit auto reload Timer, serial port baud rate generator, and T4 edge trigger 16-bit auto reload Timer. The modes selection by T4CON register T4M[1:0] setting.

9.4.1.1 Mode0: 16 bit auto reload Timer/Counter

Timer 4 is 16 bit auto reload Timer. TH4 register store 16 -bit Timer high 8 bits, TL4 store low 8 bits. When TR4 = 0, write TH4 and TL4 two registers sequentially, write the value is written into reload and count registers. TR4 set 1, the count register value increments the count from the written data, after count to 0xFFFF, count counter will overflow after an additional clock, TF4 is set to 1, the same time 16 bits data of reloaded register is reloaded into count register automatically, counter starts to increment the count from the reload value. The interrupt will be generated If Timer 4 interrupt enabled.

When TR4 value is 1, write operation of TH4/TL4 will not affect the value of counter, and only change the reloaded register value, the changed value will be reloaded into count register at next overflow time. Only when TR4 is 0, write operation of TH4/TL4 will change the value of count and reload register synchronously.

T4CON.0 register T4CLKS bit select clock source. When T4CLKS = 1, Timer 4 clock source is external clock, after prescaler, counter data register increment. When T4CLKS = 0, clock source of Timer 4 is the system clock.

In comparison mode, T4 port is need be set output by software. Timer 4 counts to 0xFFFF from the default value in TH4 and TL4, when counter overflows, T4 port output level flips, and Timer 4 interrupt flag is set to 1. In comparison mode, Timer 4 has to work in Timer mode (T4CLKS = 0).

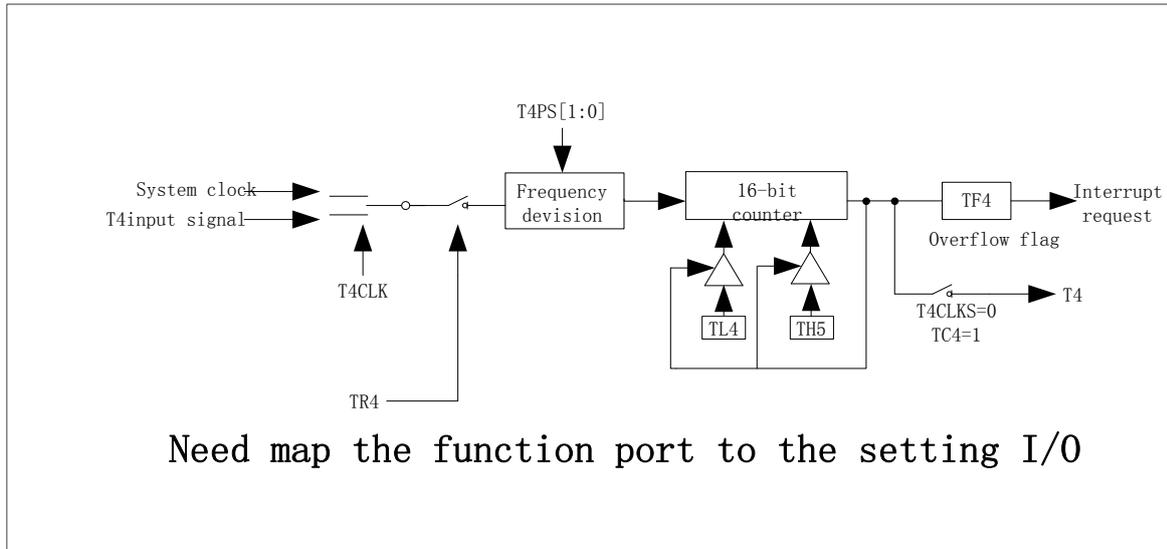


Figure 9 - 6 TIMER4 0 functional block diagram

9.4.1.2 Model: UART1 baud rate generator

By setting the T4CON register T4M[1:0] = 01 to select the Timer 4 as the baud rate generator. The mode is similar to auto reload mode. Overflow of Timer 4 will cause the 16-bit value in software Timer 4 reloads register load to Timer 4 counter, and generate overflow interrupt at the same time. If user does not want to generate interrupt, he can close ET4. UART1 baud rate in mode1 and 3 is calculated by the following formula:

$$\text{BaudRate} = \frac{1}{16} \times \frac{f_{T4}/\text{PRESCALER}}{65536 - [\text{TH4}, \text{TL4}]}, \text{ use Timer 4 as the baud rate generator.}$$

In the formula, f_{T4} is Timer 4 Count selected clock source, PRESCALER Timer 4 prescaler ratio, TH4 and TL4 are Timer 4 data register.

When TC4=1, user can set the baud rate output from T4, frequency of the output waveform is 1/2 of baud rate, at this time Timer 4 must work in Timer mode(T4CLKS = 0).

9.4.1.3 Mode2/3: with edge-trigger 16 bit auto reload Timer

Timer 4 2/3 are 16 bit auto reload Timer. T4CLKS bit in T4CON. 0 registers keep 0 always, user can only select the system clock as clock source of Timer 4, and the other settings are same as mode 0.

In mode2, when TR4 is set to 1, Timer 4 wait for the trigger signal on T4 port (control rising/falling edge by T4M[1:0]), a valid trigger signal starts Timer 4. When the Timer 4 overflows from 0xFFFF to 0x0000, TF4 (T4CON.7) will be set, If Timer 4 interrupt enabled, Timer 4 interrupt will be generated. With overflow, 16 bits data in Timer reload register is reloaded into the count registers TH4 and TL4, Timer 4 maintains the state and wait for the next trigger.

If TC4=0, when Timer 4 is counting, a trigger signal will not stop counter for counting, the counter will reload after overflow and maintain the state, and waiting for the next valid trigger signal;

If TC4=1, when Timer 4 is counting, a trigger signal will cause 16 bits data in reload register is reloaded into the count registers TH4 and TL4, and begin to count, but it will not generate an interrupt, interrupt occur only after the counter overflow.

TR4 set 1 don't clear Timer 4 counter, before enable the Timer, user write an initial value expected to reload register.

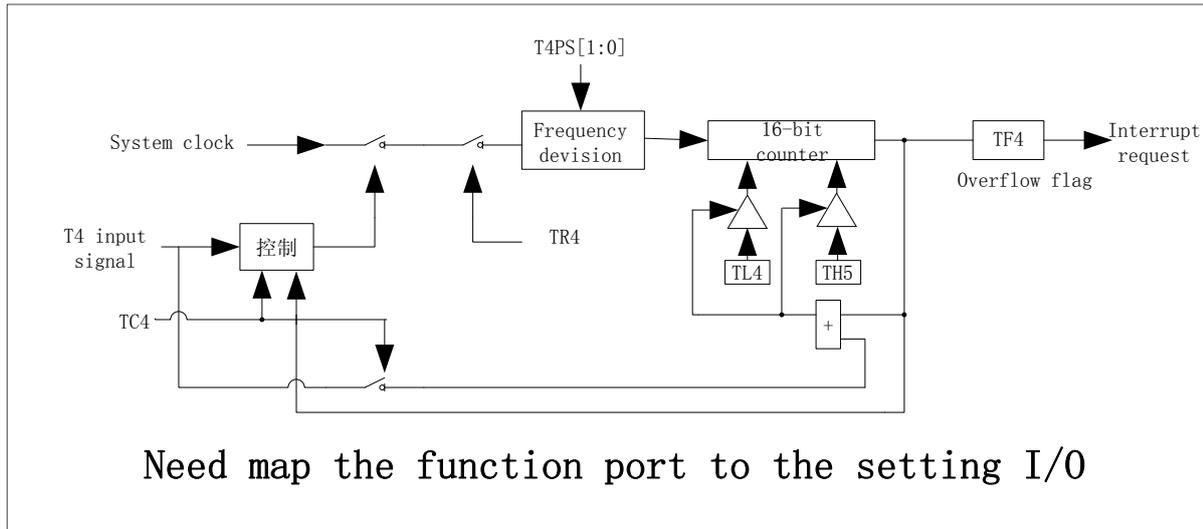


Figure 9 - 7 Timer4 mode2/3 functional block diagram

Note:

- (1) When the Timer 4 working as a Timer ($TR4 = 1$) in baud rate generator mode, TH4 or TL4 cannot be read or written. Because the Timer increment all the time, read or write the results are not accurate. So before access TH4/TL4, Timer 4 must be closed ($TR4 = 0$).
- (2) When the Timer 4 used as counter, input signal frequency of T4 pin must less than half of system clock.

9.4.2 Timer/Counter T4 registers

9.4.2.1 Timer T4 control register T4CON

T4CON

Bit	7	6	5	4	3	2	1	0
R/W	R/W	R/W	R/W	R/W	R/W	R/W	R/W	R/W
Reset values	0	0	0	0	0	0	0	0
Flag	TF4	TC4	T4PS[1:0]		T4M [1:0]		TR4	T4CLKS

Bit	Flag	Introductions
7	TF4	Timer 4 overflow flag 0 : No overflow (hardware clear 0),software can also clear 0 1 : Overflow (hardware set 1)
6	TC4	Compare function enable bit When T4M[1:0] = 00 or 01 0: Disable Timer 4 Compare function 1: Enable Timer 4 Compare function When T4M[1:0] = 10 or 11 0 : Timer 4 not be triggered again 1 : Timer 4 can be triggered again
5-4	T4PS[1:0]	Timer 4 prescaler ratio (PRESCALER) selection bit 00 : 1/1 01 : 1/8 10 : 1/64 11 : 1/256
3-2	T4M [1:0]	Timer 4 mode selection bit 00 : Mode0, 16bit auto reload Timer 01 : Mode1, UART1 baud rate generator 10 : Mode2, T4 port rising edge triggered (only the system clock, T4CLKS invalid) 11 : Mode3, T4 port falling edge triggered (only the system clock, T4CLKS invalid)
1	TR4	Timer 4 Enable control bit 0: Disable Timer 4 1: Enable Timer 4
0	T4CLKS	Timer 4 Counting clock source selection bit 0 : The system clock F_{osc} 1 : T4 input an external clock

9.4.2.2 Timer T4 data register TL4, TH4

TL4

Bit	7	6	5	4	3	2	1	0
R/W	R/W	R/W	R/W	R/W	R/W	R/W	R/W	R/W
Reset values	0	0	0	0	0	0	0	0
Flag	TL4							

Bit	Flag	Introductions
7-0	TL4	T4 data register low byte

TH4

Bit	7	6	5	4	3	2	1	0
R/W	R/W	R/W	R/W	R/W	R/W	R/W	R/W	R/W

Reset values	0	0	0	0	0	0	0	0
Flag	TH4							

Bit	Flag	Introductions
7-0	TH4	T4 data register high byte

9.5 Timer 5

9.5.1 Timer T5 work mode

9.5.1.1 Mode0: 16 bit auto reload Timer/Counter

When Timer 5 in mode0, TH5 register stores high 8 bits of 16-bit Timer, TL5 stores low 8 bits.

When EXEN5=0, 16 bit Timer register is increased form 0xFFFF to 0x0000 and overflow, set TF5, Timer will automatically load 16 bit value in registers RCAP5H and RCAP5L to TH5 and TL5 registers, if enable Timer 5 interrupt, it will be generated.

When EXEN5=1, Overflow or the falling/Rising edge triggers on external input T5 can trigger a 16 bit reload, and set EXF5 Bit. If ET5 is enabled, TF5 and EXF5 can generate interrupts all.

T5CON.1 register TR5 bit set 1 can enable Timer 5, and don't clear counter of Timer 5. Before enable Timer5, user should write an initial value to reload register user want.

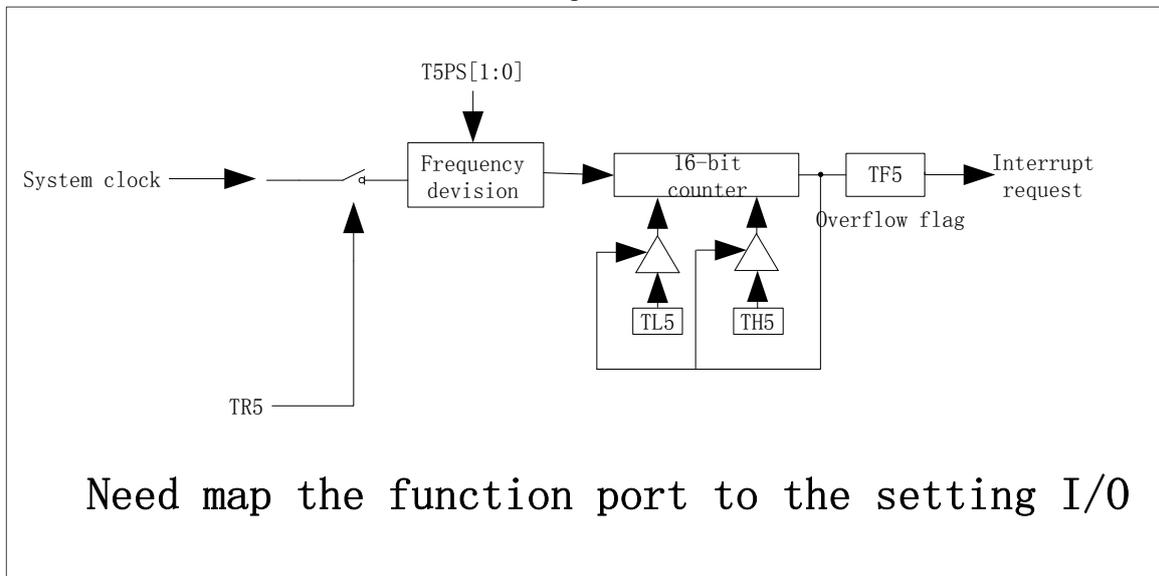


Figure 9 - 8 Timer5 Mode0 functional block diagram

9.5.1.2 Mode1: UART2 baud rate generator

By setting the T5CON register T5M to 01, Select Timer 5 as UART2's baud rate generator.

The mode is similar to auto reload mode. Overflow of Timer 5 will cause the 16 -bit value in software Timer5 reload register load to Timer 5 counter, but overflow cannot generate interrupt.

When EXEN5=1 at this time,the falling edge of/rising edge on T5 pins will set EXF5, but not causes reload. So when the Timer 5 as baud rate generator, T5 pins can be used as an additional external interrupt.

UART2 baud rate is calculated by the following formula:

$$\text{BaudRate} = \frac{1}{16} \times \frac{f_{T5}/\text{PRESCALER}}{65536 - [\text{RCAP5H}, \text{RCAP5L}]}$$

use Timers 5 as baud rate generator.

In the formula, f_{T5} is Fosc, PRESCALER is Timer 5 prescale ratio, RCAP5H and RCAP5L are Timer 5 reload capture register.

9.5.1.3 Mode2: 16 bit rising edge capture

In capture mode, EXEN5 of T5CON has two options.

EXEN5 = 0 The Timer T5 16 Timer, if ET5 Permitting, Timer T5 user can set TF5 Spillovers generate an interrupt. After the overflow count will not be reloaded, from 0 to count.

EXEN5 = 1 The Timer T5 Do the same thing, but External input T5 (Available from the T5CON1 To select the capture input types) the rising edge can cause TH5 TL5 Current value is captured RCAP5H RCAP5L And, in addition, T5 On the rising edge can also result in T5CON EXF5 Is set. ET5 enabled EXF5 like TF5 also generate an interrupt.

9.5.1.4 Mode3: 16 bit falling edge capture

In capture mode, EXEN5 of T5CON has two options.

EXEN5 = 0 the Timer T5 16 Timer, if ET5 Permitting, Timer T5 user can set TF5 spillovers generate an interrupt. After the overflow count will not be reloaded, from 0 to count.

EXEN5 = 1 the Timer T5 Do the same thing, but External input T5 (available from the T5CON1 to select the capture input types) can cause the falling edge TH5 TL5 Current value is captured RCAP5H RCAP5L And, in addition, T5 on the falling edge can also result in T5CON EXF5 Is set. ET5 Enabled EXF5 like TF5 also generates an interrupt.

9.5.2 Timer/Counter T5 registers

9.5.2.1 Timer T5 control register

T5CON

Bit	7	6	5	4	3	2	1	0
R/W	R/W	R/W	R/W	R/W	R/W	R/W	R/W	R/W
Reset values	0	0	0	0	0	0	0	0
Flag	TF5	EXF5	T5PS[1:0]		T5M [1:0]		TR5	EXEN5

Bit	Flag	Introductions
7	TF5	Timer 5 overflow flag 0 : No overflow 1 : Hardware reset on overflow 1 Must be software clearance 0
6	EXF5	T5 flag pin external input event occur 0 : No external input event occur, must be cleared to 0 b software 1 : Detection of external input event and EXEN5= 1, hardware set 1, also as interrupt request flag
5-4	T5PS[1:0]	Timer 5 prescaler frequency ratio (PRESCALER) selection bit 00 : 1/1 01 : 1/8 10 : 1/64 11 : 1/256
3-2	T5M [1:0]	Timer 5 mode selection flag 00 : Mode0, 16bit auto reload Timer 01 : Mode1, UART2 baud rate generator 10 : Mode2, 16 rising edge captured 11 : Mode3, 16 falling edge capture
1	TR5	Timer 5 enable control flag 0 : Disable Timer 5 1 : Enable Timer 5
0	EXEN5	T5 external event input as the reload on the Pin/capture trigger enable/disable control bit 0 : Ignore events on T5 Pin 1 : a falling or rising edge on T5 pin, get a capture or reload Note: When capturing low frequency RC RXD pin, also need to enable EXEN5 , and meanwhile setting rising edge capture or falling edge capture.

T5CON1

Bit	7	6	5	4	3	2	1	0
R/W	R	R	R	R	R	R	R/W	R/W
Reset values	0	0	0	0	0	0	0	0
Flag							CAPM[1:0]	

Bit	Flag	Introductions
7-2	-	Reserved
1-0	CAPM[1:0]	Timer 5 capture type selection bit 00 : Edge of T5 change 01 : Internal low frequency RC, that is count clock of watchdog 10 : RXD1 Pin of UART1 11 : RXD2 Pin of UART2

9.5.2.2 Timer T5 data registers TL5, TH5
TL5

Bit	7	6	5	4	3	2	1	0
R/W	R/W	R/W	R/W	R/W	R/W	R/W	R/W	R/W
Reset values	0	0	0	0	0	0	0	0
Flag	TL5							

Bit	Flag	Introductions
7-0	TL5	T5 low byte of data registers

TH5

Bit	7	6	5	4	3	2	1	0
R/W	R/W	R/W	R/W	R/W	R/W	R/W	R/W	R/W
Reset values	0	0	0	0	0	0	0	0
Flag	TH5							

Bit	Flag	Introductions
7-0	TH5	T5 Data register high byte

9.5.2.3 Timer T5 reload capture registers RCAP5L, RCAP5H

RCAP5L

Bit	7	6	5	4	3	2	1	0
R/W	R/W	R/W	R/W	R/W	R/W	R/W	R/W	R/W
Reset values	0	0	0	0	0	0	0	0
Flag	RCAP5L							
Bit	Flag	Introductions						
7-0	RCAP5L	T5 reload capture registers low byte						

RCAP5H

Bit	7	6	5	4	3	2	1	0
R/W	R/W	R/W	R/W	R/W	R/W	R/W	R/W	R/W
Reset values	0	0	0	0	0	0	0	0
Flag	RCAP5H							
Bit	Flag	Introductions						
7-0	RCAP5H	T5 reload capture register high byte						

10 Pulse width modulation PWM

10.1 PWM Characteristics

- 3 complementary PWM outputs with dead-time insertion. 6 Independent PWM outputs
- Provides each PWM a period overflow interrupt, but share the same interrupt vector
- output polarity is selectable
- Provides an error frame detection function to close PWM output immediately
- PWM clock can be set prescaler ratio
- PWM can be used as Timer/Counter

HC89F0541/0531 integrated three 12 bit PWM module of PWM0, PWM1, and PWM2, each module has a Counter, PWM0 Counter is controlled by PWM0_EN, the Counter start to count when PWM0_EN or PWM01_EN is enabled, the counter clock source is selected by CK0 bits in PWM0C register, PWM1 and PWM2 are same as the configuration of PWM0.

When user need to output PWM waveform from MCU Pin, user need to enable PWM0_OEN or PWM01_OEN, and need to set port at strong push-pull mode. No PWM waveform output when PWM0_OEN or PWM01_OEN disabled. And this time PWM0 Counter can be used as a Timer, when counter overflow, PWM interrupt occur when interrupt is enabled.

Set EFLT0 to 1, PWM0 output and its complementary output can be closed by input signal variation on FLT0 pin automatically. Once detected valid input on FLT0 pin, PWM output will closed immediately, but PWM internal Counter continue to run, after the error signal removed from FLT0, the PWM output continued. During FLT0 input signal valid period, FLT0S cannot be cleared. Only when the FLT0 input signal invalid, FLT0S status can be cleared by software, and PWM return to output.

PWM0 fault detection port FLT0 (P0.0 port) has debouncing function, user can set the appropriate debouncing time. Configure FLT0 debouncing time equal configure port P0.0 debouncing time, setting method in ports debouncing control register P00DBC, P01DBC and P02DBC chapter.

Three PWM modules function and operation are exactly the same. User can control register to 3 roads with dead complementary PWM or six roads single PWM output.

3 PWM modules share an interrupt vector entrance, but have their own control bit and flag. It is used for user modify the PWM module cycles or duty cycle of the next cycle.

10.2 PWM output mode

PWM module contains 3 independent waveform generate modules, the corresponding 3 PWM output are PWM0/PWM01, PWM1/PWM11, PWM2/PWM21, by controlling the associated registers to provide each pair PWM output configured as a complementary output mode or independent mode.

10.2.1 Complementary output mode

Set PWMxM(x=0,1,2) to 0: PWM will be working in complementary output mode, enable PWMx&PWMx (x=0,1,2) 1 output, and control the cycle registers, duty registers and dead-time registers to output the complementary waveform. The PWMx&PWMx1(x=0, 1, 2) polarity can be selected in complementary output mode. It is easy to user multiple level driven request.

10.2.2 Independent output mode

Set PWMxM to 1: PWM will be working in independent mode, user can control PWMx&PWMx1 single or both output. their cycle time are same but the duty cycle can be set individually. Duty cycle register control PWMx duty cycle, dead-time control registers control PWMx1 duty cycle, The PWMx&PWMx1 polarity can be selected in independent output mode. It is easy to user multiple level driven request(x=0, 1, 2).

10.3 PWM registers

10.3.1 PWM enable register PWMMEN

Bit	7	6	5	4	3	2	1	0
R/W	R	R/W	R/W	R/W	R	R/W	R/W	R/W
Reset values	0	0	0	0	0	0	0	0
Flag	-	PWM21EN	PWM11EN	PWM01EN	-	PWM2EN	PWM1EN	PWM0EN

Bit	Flag	Introductions
7	-	Reserved
6	PWM21EN	PWM21 enable bit 0: Disable PWM21 1: Enable PWM21
5	PWM11EN	PWM11 enable bit 0: Disable PWM11 1: Enable PWM11
4	PWM01EN	PWM01 enable bit 0: Disable PWM01 1: Enable PWM01
3	-	Reserved
2	PWM2EN	PWM2 enable bit 0: Disable PWM2 1: Enable PWM2
1	PWM1EN	PWM1 enable bit 0: Disable PWM1 1: Enable PWM1
0	PWM0EN	PWM0 enable bit 0: Disable PWM0 1: Enable PWM0

10.3.2 FLT mode register FLTMODE

Bit	7	6	5	4	3	2	1	0
R/W	R/W	R/W	R/W	R/W	R/W	R/W	R/W	R/W
Reset values	0	0	0	0	0	0	0	0
Flag	EFLT1	EFLT0	FLT2_MODE		FLT1_MODE		FLT0_MODE	

Bit	Flag	Introductions
7	EFLT1	PWM1 FLT1 control pin enable bit 0: Disable fault dection, GPIO function or other function 1: Enable fault detection, PWM1fault detection input pin Note: Complementary output mode and independent mode are all controlled by default detection pin
6	EFLT0	PWM0 FLT0 control pin enable bit 0: Disable fault dection, GPIO function or other function 1: Enable fault detection, PWM0fault detection input pin Note: Complementary output mode and independent mode are all controlled by default detection pin
5-4	FLT2_MODE	PWM2 fault output predetermined status selection bit 00: PWM2&PWM21 level are low during fault period 01: PWM2 level is low during fault period, PWM21 level is high during fault period 10: PWM2 level is high during fault period, PWM21 level is low during fault period 11: PWM2&PWM21 level are high during fault period
3-2	FLT1_MODE	PWM1 fault output predetermined status selection bit 00: PWM1&PWM11 level are low during fault period 01: PWM1 level is low during fault period, PWM11 level is high during fault period 10: PWM1 level is high during fault period, PWM11 level is low during fault period 11: PWM1&PWM11 level are high during fault period
1-0	FLT0_MODE	PWM0 fault output predetermined status selection bit 00: PWM0&PWM01 level are low during fault period 01: PWM0 level is low during fault period, PWM01 level is high during fault period 10: PWM0 level is high during fault period, PWM01 level is low during fault period 11: PWM0&PWM01 level are high during fault period

10.3.3 PWM mode register PWMM

Bit	7	6	5	4	3	2	1	0
R/W	R/W	R/W	R/W	R/W	R	R/W	R/W	R/W
Reset values	0	0	0	0	0	1	1	1

Flag	EFLT2	PWM2M	PWM1M	PWM0M	-	RELOAD2	RELOAD1	RELOAD0
------	-------	-------	-------	-------	---	---------	---------	---------

Bit	Flag	Introductions
7	EFLT2	PWM2 FLT2 control pin enable bit 0: Disable fault dection, GPIO function or other function 1: Enable fault detection, PWM1 fault detection input pin Note: Complementary output mode and independent mode are all controlled by default detection pin
6	PWM2M	PWM2 work mode selection bit 0: PWM2&PWM21 work in complementary output mode 1: PWM2&PWM21 work in independent output mode Note: it is recommended to close PWM2 module before modify PWM2 work mode
5	PWM1M	PWM1 work mode selection bit 0: PWM1&PWM11 work in complementary output mode 1: PWM1&PWM11 work in independent output mode Note: it is recommended to close PWM2 module before modify PWM1 work mode
4	PWM0M	PWM0 work mode selection bit 0: PWM0&PWM01 work in complementary output mode 1: PWM0&PWM01 work in independent output mode Note: it is recommended to close PWM2 module before modify PWM0 work mode
3	-	Reserved
2	RELOAD2	PWM2 auto reload enable bit 0: Disable auto reload 1: Enable auto reload Note: same as PWM0 auto reload enable bit
1	RELOAD1	PWM1 auto reload enable bit 0: Disable auto reload 1: Enable auto reload Note: same as PWM0 auto reload enable bit
0	RELOAD0	PWM0 auto reload enable bit 0: Disable auto reload 1: Enable auto reload Note: default value is 1, in default state, parameter modification of period, duty cycle, dead time, the parameters will be auto reloaded, and it will be used during next PWM period. Clear the bit to 0 will disable auto reload before modify period,duty cycle, dead time parameters, PWM will not use any new parameters, output status remain unchanged, after modification completed by software, then set the bit to 1, the new parameters will be used during next PWM period, the operation can implement synchronization between multiple PWM.

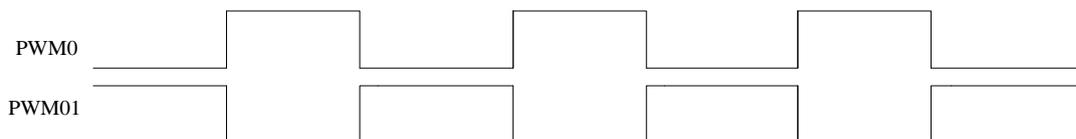
10.3.4 PWM0 registers

10.3.4.1 PWM0 control register PWM0C

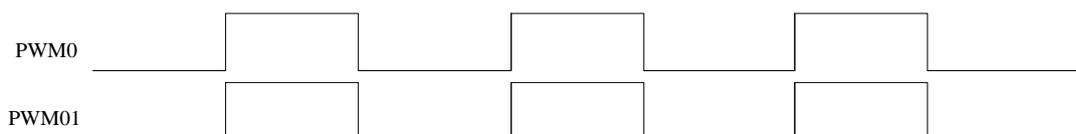
Bit	7	6	5	4	3	2	1	0
R/W	R/W	R/W	R/W	R/W	R/W	R/W	R/W	R/W
Reset values	0	0	0	0	0	0	0	0
Flag	PWM0IE	PWM0IF	FLT0S	FLT0C	PWM0S		CK0	

Bit	Flag	Introductions
7	PWM0IE	PWM0 interrupt enable bit 0 : Disable PWM0 interrupt 1 : Enable PWM0 interrupt
6	PWM0IF	PWM0 interrupt flag 0 : Software clear 0 1 : PWM0 cycle counter overflow, hardware set 1
5	FLT0S	PWM0 FLT status bit 0 : PWM normal status, software clear 0 1 : PWM output off, hardware set 1
4	FLT0C	PWM0 FLT pin configuration bit 0 : FLT0 low level, PWM output off 1 : FLT0 high level, PWM output off
3-2	PWM0S	PWM0 PWM01 output mode selection bits 00 : PWM0 and PWM01 high level valid 01 : PWM0 high level valid, PWM01 low level valid 10 : PWM0 low level valid, PWM01 high level valid 11 : PWM0 PWM01 low level valid Note: For independent mode, the output mode selection bits is also valid, but different with complementary mode is: valid period is duty cycle period, but in complementary mode, valid period of PWM0 is duty cycle period, valid period of PWM01 is complementary duty cycle period.
1-0	CK0	PWM0 clock source selection bits 00 : $F_{osc}/1$ 01 : $F_{osc}/8$ 10 : $F_{osc}/32$ 11 : $F_{osc}/128$

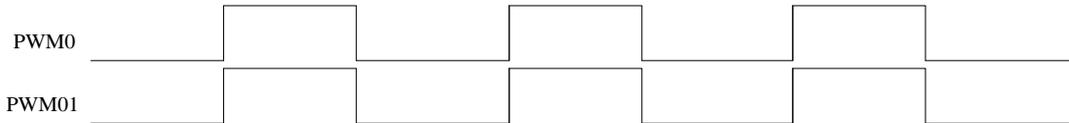
PWM0S=00 & PWM0M=0: PWM0 and PWM01 work in a complementary mode and high level valid both



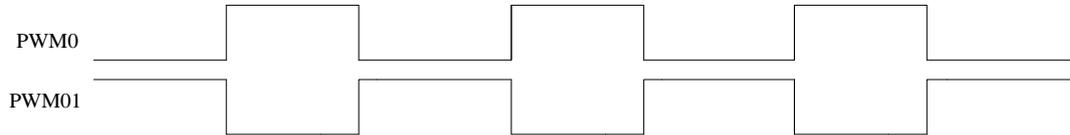
PWM0S=00 & PWM0M=1: PWM0 and PWM01 work in a mode and high level valid both



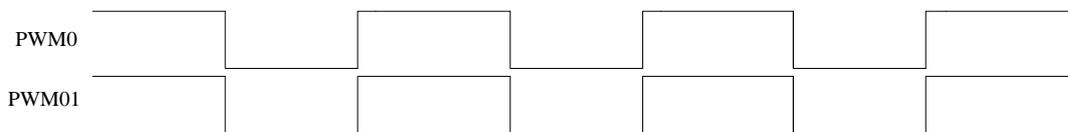
PWM0S=01 & PWM0M=0: PWM0 PWM01 work in a complementary mode, and PWM0 high level valid, PWM01 low level valid



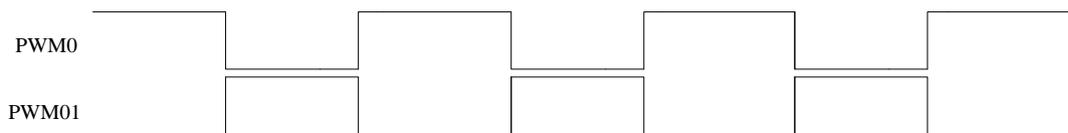
PWM0S=01 & PWM0M=1: PWM0 PWM1 work in an independent mode, and PWM0 high level valid, PWM1 low level valid



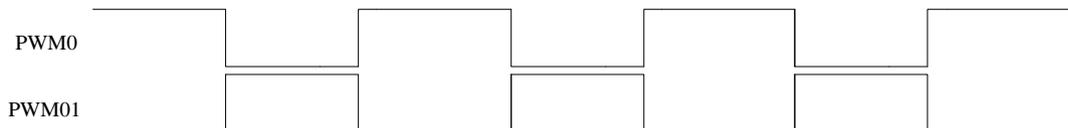
PWM0S=10 & PWM0M=0: PWM0 PWM1 work in a complementary mode, and PWM0 low level valid, PWM1 high level valid



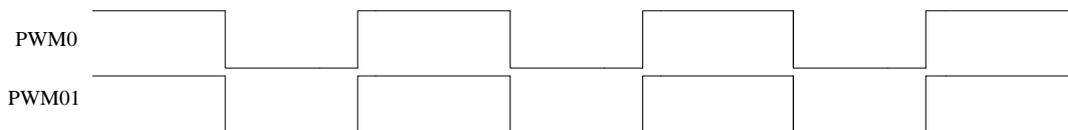
PWM0S=10 & PWM0M=1: PWM0 PWM1 work in an independent mode, and PWM0 low level valid, PWM1 high level valid



PWM0S=11 & PWM0M=0: PWM0 PWM1 work in a complementary mode, and low level valid both



PWM0S=11 & PWM0M=1: PWM0 PWM1 work in an independent mode, and low level valid both



10.3.4.2 PWM0 period register PWM0PL, PWM0PH

PWM0PL

Bit	7	6	5	4	3	2	1	0
R/W	R/W	R/W	R/W	R/W	R/W	R/W	R/W	R/W
Reset values	0	0	0	0	0	0	0	0
Flag	PWM0PL[7:0]							

Bit	Flag	Introductions
7-0	PWM0PL[7:0]	PWM0 cycle register low 8 bits

PWM0PH

Bit	7	6	5	4	3	2	1	0
R/W	R	R	R	R	R/W	R/W	R/W	R/W
Reset values	0	0	0	0	0	0	0	0
Flag	-	-	-	-	PWM0PH[3:0]			

Bit	Flag	Introductions
7-4	-	Reserved (read = 0b., write invalid)
3-0	PWM0PH[3:0]	PWM0 cycle register high 4 bits

Note: modify high bits firstly when modify PWM0 cycle, then modify low bits, read as not restricted, such as:

- (1) PWM0PH = 0x05;
- (2) PWM0PL = 0x08; // PWM Counter overflow, the cycle data is 0x0508 from the next cycle
- (3) PWM0PH = 0x06; // PWM Counter overflow, the cycle data is 0x0608 from the next cycle
- (4) PWM0PL = 0x08; // PWM Counter overflow, the cycle data is 0x0608 from the next cycle
- (5) PWM0PL = 0x09; // PWM Counter overflow, the cycle data is 0x0609 from the next cycle

As long as PWM Period modified, regardless of whether the low registers need to be modified, low bits has to be written one time, and cycle changes will valid only from the next PWM cycle.

$$\text{PWM0 cycle} = [\text{PWM0PH} : \text{PWM0PL}] * \text{PWM0 Clock cycle}$$

10.3.4.3 PWM0 duty cycle register PWM0DL, PWM0DH

PWM0DL

Bit	7	6	5	4	3	2	1	0
R/W	R/W	R/W	R/W	R/W	R/W	R/W	R/W	R/W
Reset values	0	0	0	0	0	0	0	0
Flag	PWM0DL[7:0]							

Bit	Flag	Introductions
7-0	PWM0DL[7:0]	PWM0 Duty cycle register low 8 bits

PWM0DH

Bit	7	6	5	4	3	2	1	0
R/W	R	R	R	R	R/W	R/W	R/W	R/W
Reset values	0	0	0	0	0	0	0	0
Flag	-	-	-	-	PWM0DH[3:0]			

Bit	Flag	Introductions
7-4	-	Reserved (read = 0b., write invalid)
3-0	PWM0DH[3:0]	PWM0 duty cycle registers high 4 bits

Note: modify PWM0 Duty cycle registers, similar to modify PWM0 cycle register, both are required to modify the high level first then low, and changes will valid from the next cycle.

$$\text{PWM0 Duty cycle} = [\text{PWM0DH} : \text{PWM0DL}] * \text{PWM0 Clock cycle}$$

10.3.4.4 PWM0 dead time register PWM0DTL, PWM0DTH

PWM0DTL

Bit	7	6	5	4	3	2	1	0
R/W	R/W	R/W	R/W	R/W	R/W	R/W	R/W	R/W
Reset values	0	0	0	0	0	0	0	0
Flag	PWM0DTL[7:0]							

Bit	Flag	Introductions
7-0	PWM0DTL[7:0]	PWM0 Dead time register low 8 bits

PWM0DTH

Bit	7	6	5	4	3	2	1	0
R/W	R	R	R	R	R/W	R/W	R/W	R/W
Reset values	0	0	0	0	0	0	0	0
Flag	-	-	-	-	PWM0DTH[3:0]			

Bit	Flag	Introductions
7-4	-	Reserved (read = 0b,,write invalid)
3-0	PWM0DTH[3:0]	PWM0 Dead time register high 4

When PWM0M=1, PWM0 work in 2 road independent mode, dead time register is used as the PWM01 Duty cycle registers, namely independent mode PWM0 can output 2 road PWM waveform with the same cycle, but different duty cycle.

Complementary mode: PWM0 Dead time = [PWM0DTH:PWM0DTL] * PWM0 clock cycle.

Complementary mode: dead time must be less than the duty cycle time, sum of dead time and duty cycle time must be less than PWM0 cycle.

Independent mode: PWM01 Duty cycle time = [PWM0DTH:PWM0DTL] * PWM0 Clock cycle.

10.3.5 PWM1 registers

10.3.5.1 PWM1 control register PWM1C

Bit	7	6	5	4	3	2	1	0
R/W	R/W	R/W	R/W	R/W	R/W	R/W	R/W	R/W
Reset values	0	0	0	0	0	0	0	0
Flag	PWM1IE	PWM1IF	FLT1S	FLT1C	PWM1S		CK1	

Bit	Flag	Introductions
7	PWM1IE	PWM1 interrupt enable bit 0 : Disable PWM1 interrupt 1 : Enable PWM1 interrupt
6	PWM1IF	PWM1 interrupt flag 0 : Software clearance 0 1 : PWM1 cycle counter overflow, set 1 by hardware
5	FLT1S	PWM1 FLT state bits 0 : PWM normal state, software clear 0 1 : PWM output off, hardware set 1
4	FLT1C	PWM1 FLT pin configuration bit 0 : When FLT1 is low level, PWM output off 1 : When FLT1 is high level, PWM output off
3-2	PWM1S	PWM1 and PWM11 output mode selection bits 00 : PWM1 and PWM11 are active high 01 : PWM1 is active high, PWM11 is active low 10 : PWM1 is active low, PWM11 is active high 11 : PWM1 and PWM11 are active low Note: for independent mode, the output mode selections bit is also valid, but different with complementary mode is: the valid period is duty cycle period, and in complementary mode, the valid period of PWM1 is duty cycle period, the valid period of PWM11 is complementary duty cycle period.
1-0	CK1	PWM1 clock source selection bits 00 : F _{osc} /1

		01 : $F_{osc}/8$ 10 : $F_{osc}/32$ 11 : $F_{osc}/128$
--	--	---

10.3.5.2 PWM1 period register PWM1PL, PWM1PH

PWM1PL

Bit	7	6	5	4	3	2	1	0
R/W	R/W	R/W	R/W	R/W	R/W	R/W	R/W	R/W
Reset values	0	0	0	0	0	0	0	0
Flag	PWM1PL[7:0]							

Bit	Flag	Introductions
7-0	PWM1PL[7:0]	PWM1 cycle register low 8 bits

PWM1PH

Bit	7	6	5	4	3	2	1	0
R/W	R	R	R	R	R/W	R/W	R/W	R/W
Reset values	0	0	0	0	0	0	0	0
Flag	-	-	-	-	PWM1PH[3:0]			

Bit	Flag	Introductions
7-4	-	Reserved (read = 0b, write invalid)
3-0	PWM1PH[3:0]	PWM1 cycle register high 4 bits

Note: Modify PWM1 cycle register high bits first, then modify low bits, read is not unlimited, such as:

(6) PWM1PH = 0x05;

(7) PWM1PL = 0x08; //PWM counter overflow, the cycle data is 0x0508 form the next cycle

(8) PWM1PH = 0x06; //PWM counter overflow, the cycle data is 0x0508 form the next cycle

(9) PWM1PL = 0x08; //PWM counter overflow, the cycle data is 0x0608 form the next cycle

(10) PWM1PL = 0x09; //PWM counter overflow, the cycle data is 0x0609 form the next cycle

As long as PWM period is modified, regardless of whether the low registers need to be modified, low bits has to be written once, and cycle changes are valid only from the next PWM cycle.

PWM1 cycle = [PWM1PH : PWM1PL] * PWM1 work clock source cycle

10.3.5.3 PWM1 duty register PWM1DL, PWM1DH

PWM1DL

Bit	7	6	5	4	3	2	1	0
R/W	R/W	R/W	R/W	R/W	R/W	R/W	R/W	R/W
Reset values	0	0	0	0	0	0	0	0
Flag	PWM1DL[7:0]							

Bit	Flag	Introductions
7-0	PWM1DL[7:0]	PWM1 duty register low 8 bits

PWM1DH

Bit	7	6	5	4	3	2	1	0
R/W	R	R	R	R	R/W	R/W	R/W	R/W
Reset values	0	0	0	0	0	0	0	0
Flag	-	-	-	-	PWM1DH[3:0]			

Bit	Flag	Introductions
7-4	-	Reserved (read = 0b, write invalid)
3-0	PWM1DH[3:0]	PWM1 duty registers high 4 bits

Note: Modify PWM1 duty registers, similar to modify PWM1 cycle register, are required to modify the high then low bits, and changes are valid only from the next cycle.

PWM1 Duty cycle = [PWM1DH : PWM1DL] * PWM1 work clock source cycle

10.3.5.4 PWM1 dead time register PWM1DTL, PWM1DTH PWM1DTL

Bit	7	6	5	4	3	2	1	0
R/W	R/W	R/W	R/W	R/W	R/W	R/W	R/W	R/W
Reset values	0	0	0	0	0	0	0	0
Flag	PWM1DTL[7:0]							

Bit	Flag	Introductions
7-0	PWM1DTL[7:0]	PWM1 dead time register low 8 bits

PWM1DTH

Bit	7	6	5	4	3	2	1	0
R/W	R	R	R	R	R/W	R/W	R/W	R/W
Reset values	0	0	0	0	0	0	0	0
Flag	-				PWM1DTH[3:0]			

Bit	Flag	Introductions
7-4	-	Reserved (read = 0b, write invalid)
3-0	PWM1DTH[3:0]	PWM1 dead time register high 4 bits

When PWM1M=1, PWM1 is worked in 2 independent mode, dead time register is used as the PWM11 duty cycle registers, namely independent mode PWM1 can generate 2 ways same cycle, but different duty cycle PWM waveform.

In complementary mode: PWM1 dead time = [PWM1DTH: PWM1DTL] * PWM1 work clock cycle;

In complementary mode: dead time must be less than the duty cycle time, sum of dead time and duty time must be less than PWM1 cycle;

In independent mode: PWM11 duty cycle time = [PWM1DTH: PWM1DTL] * PWM1 work clock cycle;

10.3.6 PWM2 registers

10.3.6.1 PWM2 control register PWM2C

Bit	7	6	5	4	3	2	1	0
R/W	R/W	R/W	R/W	R/W	R/W	R/W	R/W	R/W
Reset values	0	0	0	0	0	0	0	0
Flag	PWM2IE	PWM2IF	FLT2S	FLT2C	PWM2S		CK2	

Bit	Flag	Introductions
7	PWM2IE	PWM2 interrupt enable bit 0 : Disable PWM2 interrupt 1 : Enable PWM2 interrupt
6	PWM2IF	PWM2 interrupt flag 0 : Software clearance 0 1 : PWM2 cycle counter overflow, set 1 by hardware
5	FLT2S	PWM2 FLT state bit 0 : PWM normal state, software clear 0

		1 : PWM output off, hardware set 1
4	FLT2C	PWM2 FLT pin configuration bit 0 : When FLT1 is low level, PWM output off 1 : When FLT1 is high level, PWM output off
3-2	PWM2S	PWM2 and PWM21 output mode selection bits 00 : PWM2 and PWM21 are active high 01 : PWM2 is active high, PWM21 is active low 10 : PWM2 is active low, PWM21 is active high 11 : PWM2 and PWM21 are active low Note: for independent mode, the output mode selections bit is also valid, but different with complementary mode is: the valid period is duty cycle period, and in complementary mode, the valid period of PWM2 is duty cycle period, the valid period of PWM21 is complementary duty cycle period.
1-0	CK2	PWM2 Clock source selection bits 00 : $F_{osc}/1$ 01 : $F_{osc}/8$ 10 : $F_{osc}/32$ 11 : $F_{osc}/128$

10.3.6.2 PWM2 period register PWM2PL, PWM2PH

PWM2PL

Bit	7	6	5	4	3	2	1	0
R/W	R/W	R/W	R/W	R/W	R/W	R/W	R/W	R/W
Reset values	0	0	0	0	0	0	0	0
Flag	PWM2PL[7:0]							

Bit	Flag	Introductions
7-0	PWM2PL[7:0]	PWM2 cycle register low 8 bits

PWM2PH

Bit	7	6	5	4	3	2	1	0
R/W	R	R	R	R	R/W	R/W	R/W	R/W
Reset values	0	0	0	0	0	0	0	0
Flag	-	-	-	-	PWM2PH[3:0]			

Bit	Flag	Introductions
7-4	-	Reserved (read = 0b, write invalid)
3-0	PWM2PH[3:0]	PWM2 cycle register high 4 bits

Note: Modify PWM2 cycle register high bits first, then modify low bits, read is not unlimited, such as:

- (6) PWM2PH = 0x05;
- (7) PWM2PL = 0x08; //PWM counter overflow, the cycle data is 0x0508 form the next cycle
- (8) PWM2PH = 0x06; //PWM counter overflow, the cycle data is 0x0508 form the next cycle
- (9) PWM2PL = 0x08; //PWM counter overflow, the cycle data is 0x0608 form the next cycle
- (10) PWM2PL = 0x09; //PWM counter overflow, the cycle data is 0x0609 form the next cycle

As long as PWM period is modified, regardless of whether the low registers need to be modified, low bits has to be written once, and cycle changes are valid only from the next PWM cycle.

PWM2 cycle = [PWM2PH : PWM2PL] * PWM2 work clock source cycle

10.3.6.3 PWM2 duty register PWM2DL, PWM2DH

PWM2DL

Bit	7	6	5	4	3	2	1	0
R/W	R/W	R/W	R/W	R/W	R/W	R/W	R/W	R/W
Reset values	0	0	0	0	0	0	0	0
Flag	PWM2DL[7:0]							

Bit	Flag	Introductions
7-0	PWM2DL[7:0]	PWM2 duty register low 8 bits

PWM2DH

Bit	7	6	5	4	3	2	1	0
R/W	R	R	R	R	R/W	R/W	R/W	R/W
Reset values	0	0	0	0	0	0	0	0
Flag	-				PWM2DH[3:0]			

Bit	Flag	Introductions
7-4	-	Reserved (read = 0b, write invalid)
3-0	PWM2DH[3:0]	PWM2 duty register high 4 bits

Note: Modify PWM2 duty registers, similar to modify PWM2 cycle register, are required to modify the high then low bits, and changes are valid only from the next cycle.

PWM2 Duty cycle = [PWM2DH : PWM2DL] * PWM2 work clock source cycle

10.3.6.4 PWM2 dead time register PWM2DTL, PWM2DTH

PWM2DTL

Bit	7	6	5	4	3	2	1	0
R/W	R/W	R/W	R/W	R/W	R/W	R/W	R/W	R/W
Reset values	0	0	0	0	0	0	0	0
Flag	PWM2DTL[7:0]							

Bit	Flag	Introductions
7-0	PWM2DTL[7:0]	PWM2 dead time register low 8 bits

PWM2DTH

Bit	7	6	5	4	3	2	1	0
R/W	R	R	R	R	R/W	R/W	R/W	R/W
Reset values	0	0	0	0	0	0	0	0
Flag	-				PWM2DTH[3:0]			

Bit	Flag	Introductions
7-4	-	Reserved (read = 0b, write invalid)
3-0	PWM2DTH[3:0]	PWM2 dead time register high 4 bits

When PWM2M=1, PWM2 is worked in 2 independent mode, dead time register is used as the PWM21 duty cycle registers, namely independent mode PWM2 can occur 2 ways same cycle, but different duty cycle PWM waveform.

In complementary mode: PWM2 dead time = [PWM2DTH: PWM2DTL] * PWM2 work clock cycle;

In complementary mode: dead time must be less than the duty cycle time, sum of dead time and duty time must be less than PWM2 cycle;

In independent mode: PWM21 duty cycle time = [PWM2DTH: PWM2DTL] * PWM2 work clock cycle;

11 Single 8 bit PWM

11.1 PWM characteristics

- 8 bits PWM output
- Provides PWM cycle overflow interrupt, but the interrupt share the same vector with PWM0, PWM1 and PWM2.
- output polarity is selectable
- PWM can be used as Timer/Counter, namely cycle register used as Timer when write, read as counter when read.

11.2 PWM module registers

11.2.1 PWM3 control register PWM3C

PWM3C

Bit	7	6	5	4	3	2	1	0
R/W	R/W	R/W	R/W	R/W	R/W	R/W	R/W	R/W
Reset values	0	0	0	0	0	0	0	0
Flag	PWM3EN	PWM3IE	PWM3IF	PWM3OEN	PWM3S	PTCK3[2:0]		

Bit	Flag	Introductions
7	PWM3EN	PWM3 module enable control bit 0 : Close PWM3 module 1 : Open PWM3 module (re-count) Note: When PWM close, counter stopped and output close immediately .When PWM open, PWM re-count from 1, output controlled by PWM3OEN bit.
6	PWM3IE	PWM3 interrupt enable bit 0 :Disable PWM3 interrupt 1 :Enable PWM3 interrupt
5	PWM3IF	PWM3 interrupt flag 0: Software clear 0 1: Hardware set 1, only set to 1 when the PWM3 Counter overflow (greater than PWM3P)
4	PWM3OEN	PWM3 output enable bit 0 : PWM3 Disable output 1 : PWM3 Enable output Note: PWM3 output is enabled when PWM3EN is set to 1, otherwise PW3 output disable. (the port output must be set output mode); Even prohibit output, as long as PWM3EN is enabled, the PWM3 can occur overflow interrupt, PWM3 can be used as a Timer and the control bit is valid immediately when changed .
3	PWM3S	PWM3 output polarity selection bit 0 : PWM3 high level during valid period 1 : PWM3 low level during valid period Note: modify the control bit will be effective immediately, valid period is duty cycle period
2-0	PTCK3[2:0]	PWM3 clock source selection bits 000 : $F_{osc}/1$ 001 : $F_{osc}/2$ 010 : $F_{osc}/4$ 011 : $F_{osc}/8$ 100 : $F_{osc}/16$ 101 : $F_{osc}/32$ 110 : $F_{osc}/64$ 111 : $F_{osc}/128$

	Note: modify the control bit will be effective immediately, modify is not recommended during output.
--	--

11.2.2 PWM3 period register PWM3P

PWM3 cycle register PWM3P

Bit	7	6	5	4	3	2	1	0
R/W	R/W	R/W	R/W	R/W	R/W	R/W	R/W	R/W
Reset values	0	0	0	0	0	0	0	0
Flag	PWM3P[7:0]							

Bit	Flag	Introductions
7-0	PWM3P[7:0]	PWM3P cycle register

11.2.3 PWM3D duty register PWM3D

PWM3 Duty register PWM3D

Bit	7	6	5	4	3	2	1	0
R/W	R/W	R/W	R/W	R/W	R/W	R/W	R/W	R/W
Reset values	0	0	0	0	0	0	0	0
Flag	PWM3D[7:0]							

Bit	Flag	Introductions
7-0	PWM3D[7:0]	PWM3D duty cycle register When $PWM3P \leq PWM3D$, the duty cycle 100%; $PWM3D = 0x00$, the duty cycle 0%

12 Watchdog timer WDT

12.1 WDT characteristics

- Can be configured for overflow reset
- Configurable idle/power-down mode enable or not
- Flexible configure overflow time

HC89F0541/0531 watchdog Timer is an incremental counter, the clock source is internal low frequency RC(44KHz), You can configure register to select run or not in idle/power-down mode. When WDT overflow, user can get the chip reset or not by WDTRF in RSTFR register. If WDTRST is 1, the system will reset when WDT overflow, if WDTRST is 0, and WDT interrupt is enabled, then WDT interrupt occur.

Due to the internal low frequency RC Oscillator frequency has deviation with process. The real frequency of it can be measured via Timer 5 capture, and calculate the overflow time according to the actual frequency value.

HC89F0541/0531 watchdog Timer has overflow flag after overflow, reset has a special reset flag, frequency division and overflow value can be set, clear WDT only need to set the corresponding control bit, operation is flexible.

12.2 WDT registers

12.2.1 WDT control register WDTC

R/W	7	6	5	4	3	2	1	0
Reset values	R	R	R/W	W	R/W	R/W	R/W	R/W
Flag	0	0	0	0	1	1	1	1
R/W	-	-	WDTF	WDTCLR	WDTPD	WDTPS[2:0]		

Bit	Flag	Introductions
7-6	-	Reserved
5	WDTF	WDT interrupt request flag 0 : No WDT count overflow, when interrupt response software clear 0 1 : WDT count overflow, WDTF hardware reset 1, can be used for interrupt request
4	WDTCLR	Watchdog clear 0 Set 1 can clear WDT counter, hardware clear 0 automatically
3	WDTPD	WDT idle/power-down mode control bit 0 : Enable WDT in idle/power-down mode, if WDTRST=1 will reset wakeup the system, if WDTRST=0 and EA=1, EWDT=1 Will interrupt to wake up the system. IF OPTION reset enable opened, then system will be waked up by reset IF OPTION reset enable closed, and EA=1, EWDT=1 will interrupt to wake up the system. IF OPTION reset enable closed, but EA=0 or EWDT=0, the system will be waked up after WDT overflow, but don't execute any program, it is recommended to configure as this. 1 : Disable WDT in idle/power-down mode
2-0	WDTPS[2:0]	The watchdog Timer clock source frequency division selection bits 000 : 1/8 001 : 1/16 010 : 1/32 011 : 1/64 100 : 1/128 101 : 1/256

		110 : 1/512 111 : 1/1024
--	--	-----------------------------

12.2.2 WDT count compare register WDTCCR

Bit	7	6	5	4	3	2	1	0
R/W	R/W	R/W	R/W	R/W	R/W	R/W	R/W	R/W
Reset values	1	1	1	1	1	1	1	1
Flag	WDTCCR[7:0]							

Bit	Flag	Introductions
7-0	WDTCCR[7:0]	WDT Count compare register flags Note: When WDT Counter match with WDTCCR[7:0], overflow and counter clear 0 then Count again.

Below results is calculated under 44KHz, the real frequency of it can be measured via Timer 5 capture.

Overrun time = (WDT frequency division coefficient * (WDTCCR [7:0] + 1))/real internal low frequency RC frequency.

WDTCCR[7:0] = 0xFF Watchdog overflow time table as below.

PS2	PS1	PS0	WDT Frequency division coefficient	Adjusting the step value	WDT Maximum overflow time @44K
0	0	0	8	0.25 ms	46.55ms
0	0	1	16	0.5 ms	93.09ms
0	1	0	32	1 ms	186.18ms
0	1	1	64	2 ms	372.36ms
1	0	0	128	4 ms	744.73ms
1	0	1	256	8 ms	1489.45ms
1	1	0	512	16 ms	2978.91ms
1	1	1	1024	32 ms	5957.82ms

13 Universal asynchronous transceiver

UART

13.1 UART characteristics

- 2 UART with baud rate generator
- Baud rate generator is a 16bit upward counter
- UART have 4 work modes
- UART adds frame error detection, receive overflow and write conflict detection
- UART adds address auto recognition

13.2 Work mode

UART has 4 kinds of work modes, in all modes, any SBUF write operations as a destination register will start transmission. In mode0 RI = 0 and REN = 1 used to initializes receiver. TXD Pin generates a clock signal, and RXD Pin shift 8 -bits data. In other modes the start bit of input initializes receiver (if RI = 0 and REN = 1). The communication of external transmitter started when sending the start bit. TXD pin must be set as output high before transmission.

SM0	SM1	Work mode	Type	Baud rate
0	0	0	Synchronous	The baud rate is $F_{osc}/12 \times 6^{UX6}$
0	1	1	Asynchronous	Timer 4 overflow rate /16
1	0	2	Asynchronous	$(2^{SMOD}/64) \times F_{osc}$
1	1	3	Asynchronous	Timer 4 overflow rate /16

13.2.1 Mode0 : Synchronous half-duplex communication

Mode0 support synchronous communication of external devices, RXD pin send and receive serial data, TXD Pin send shift clock. HC89F0541/0531 provides the shift clock on TXD pin, so this mode is half-duplex serial communications. In the mode, each frame receives 8 -bits, low bit received or sent first.

By set UX6 to 0 or 1, baud rate fix $1/12 * F_{osc}$ or $1/2 * F_{osc}$. When UX6=0, serial port with $f_{osc} 1/12$ running when UX6 1 Shi, serial port $F_{osc} 1/2$ Running. The only difference with Standard 8051 is that HC89F0541/0531 has variable baud rate in mode0.

Function block diagram is shown as below figure, data RXD pin moves into and out of the serial port, the shift clock by TXD pin output.

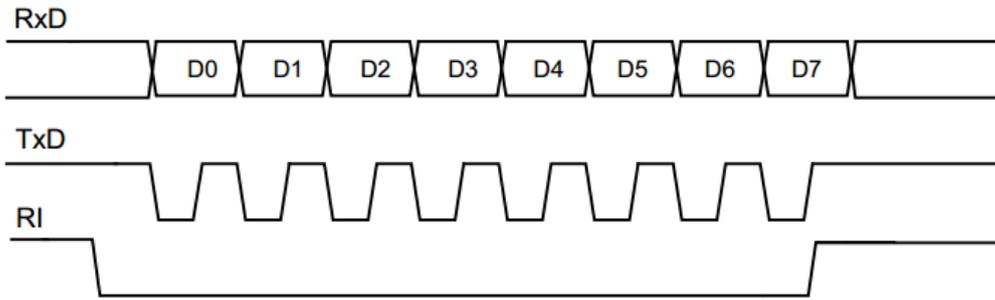


Figure 13 - 3 Mode0 data receive timing diagram

13.2.2 Mode1 : 8 UART, variable baud rate, asynchronous full duplex

Mode1 provides 10 bits communication of full duplex asynchronous, 10 bits consist of a start bit (logical 0), 8 data bits (low bit first) and one stop bit (logic 1). When receiving, 8 data bits stored in SBUF and stop bit stored in RB8. Mode1 baud rate equals Timer 4 overflow rate /16.

Function block diagram is shown in the following figure:

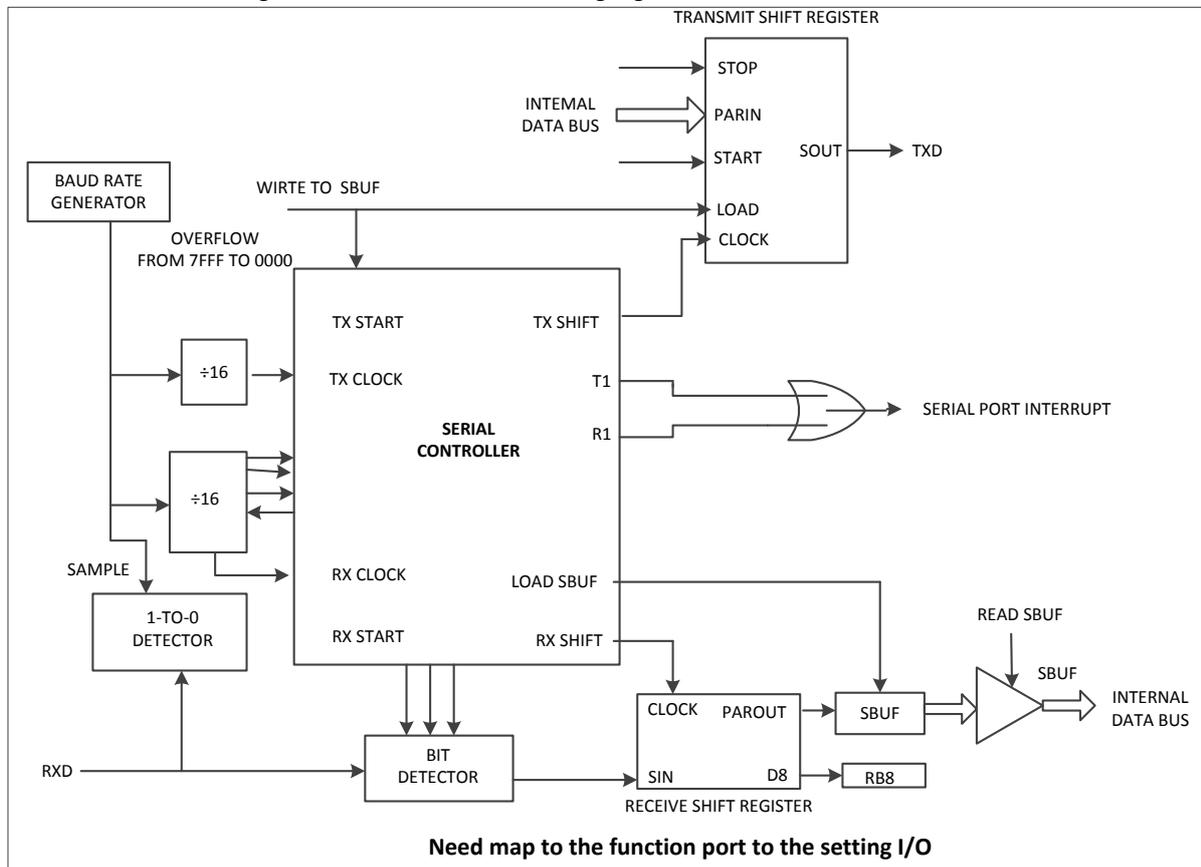


Figure 13 - 4 UART mode1 functional block diagram

Any SBUF write operations as a destination register will start transmission. Actually sending is started from the system clock after 16 scale frequency counter's next jump. So bit time is synchronous with 16 frequency division counter, but out-sync with SBUF write operation. Start bit shift out from TXD Pin first, and then shift 8 bits data. After all the 8 bits data in send shift register is sent, the stop bit shift out from TXD Pin, at the same time TI flag set.

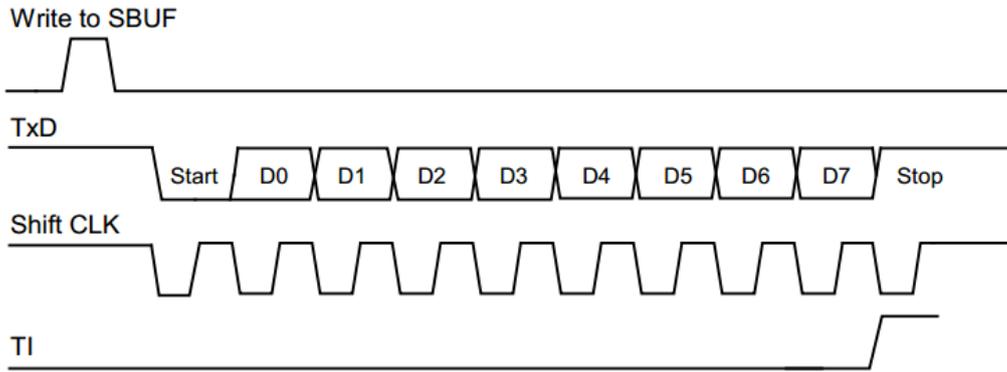


Figure 13 - 5 mode1 send the data time series block diagram

Receive is enabled only when REN set 1. UART start to receive data when the falling edge of RXD is detected. The CPU need to sample RXD pin continuously, sampling rate equal 16 times of baud rate. When detecting falling edge, 16 division frequency counter reset immediately to help 16 frequency counter and RXD pin serial data synchronization. 16 frequency counter's every bit time is divided into 16 states, at the 7, 8, and 9 states, the bit detector sample the level on RXD pin. To restrain noise, in this 3 sample states, at least 2 samples data are same, the data will be received. If first received bit is not 0, indicates that this is not a start of frame, this bit is ignored, the receive circuit is reset, wait for the RXD pin of another falling rise. If start bit is valid, then move into the shift register, and then move the other bits to shift register. 8 data bits and 1 stop bit (stop bits contain errors, as described in the description of register SM2), after moving, the data of the shift register and the stop bit (stop bits that contain errors) is loaded into SBUF and RB8 respectively, RI set 1, but it must meet the following conditions:

- (1) RI = 0
- (2) SM2 = 0 or stop bit received = 1

If these conditions are met, then stop bit (contain the error stop bit) id loaded into RB8, 8 data is loaded into SBUF, RI is set to 1. Otherwise the receive frame is lost. At this time, the receiver will return to detect RXD port if there has another falling edge. User must use the software to clear RI, and receive again.

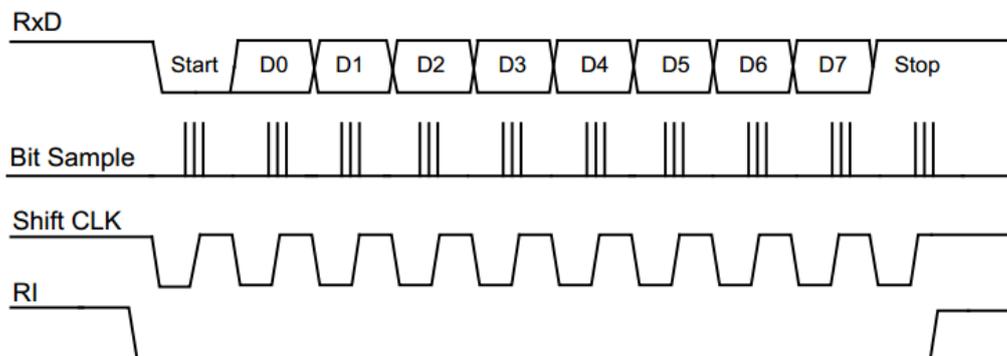


Figure 13 - 6 mode1 data receive timing diagram

13.2.3 Mode2 : 9 bits UART, fixed baud rate, asynchronous full duplex

In this mode, frame is 11 bits by asynchronous full duplex communication. A frame consists of a start bit (logic 0), 8 data bits (low in front), a programmable 9th data bit and one stop bit (logic 1). Mode2 support for multiprocessor communication and hardware address recognition (see multiprocessor communication chapter). At the time of data transmission, the 9th bits (TB8) can be written 0 or 1, for example, it can be written the parity bit P of PSW, or as a multiprocessor communication of data/address flag. When data is received, the 9th data is moved into RB8 and stop bits are not saved. Baud rate selection SMOD bit equal 1/32 or 1/64 of system work frequency. Function block diagram is shown below.

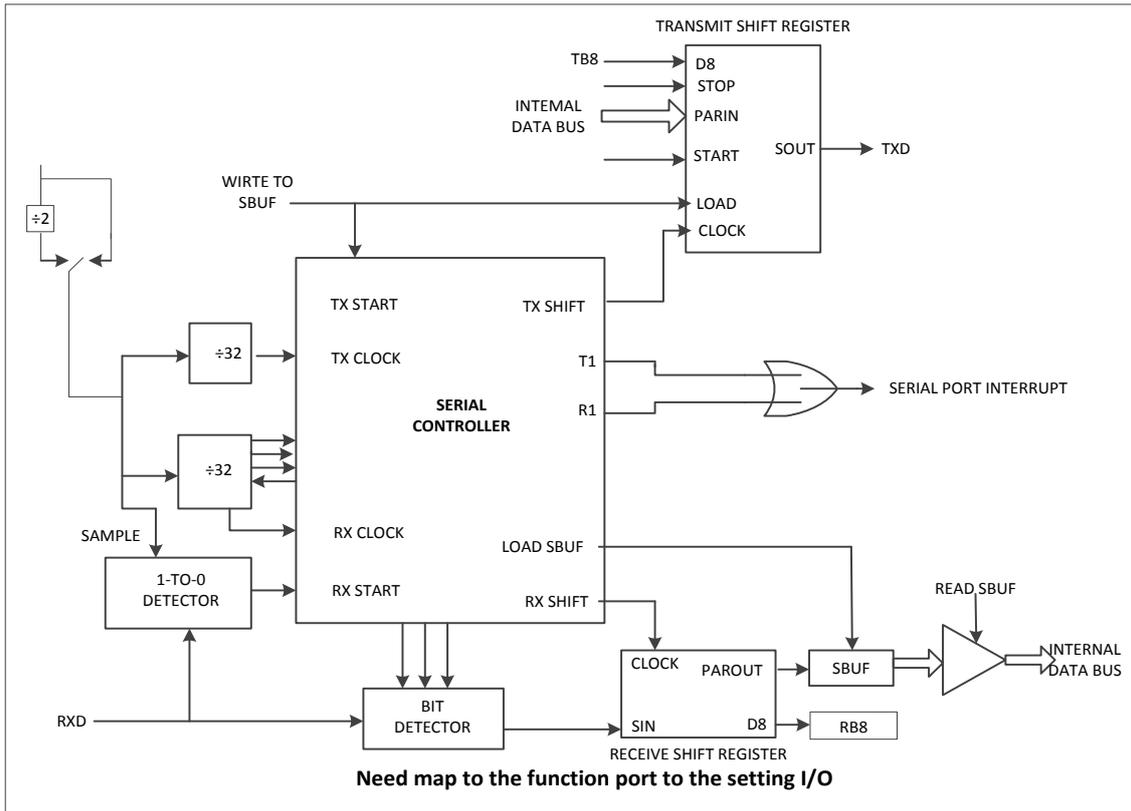


Figure 13 - 7 UART mode2 functional block diagram

Any SBUF write operations as a destination register will start transmission. Meanwhile TB8 is loaded into the sending shift register's 9th bits. Actually sending is started from the system clock after 16 scale frequency counter's next jump. So bit time is synchronous with 16 frequency division counter, but out-sync with SBUF write operation. A Start bit shift out from TXD Pin first, and then shift 9 bits data. After all the 9 bits data in send shift register is sent, the stop bit shift out from TXD Pin, at the same time TI flag set.

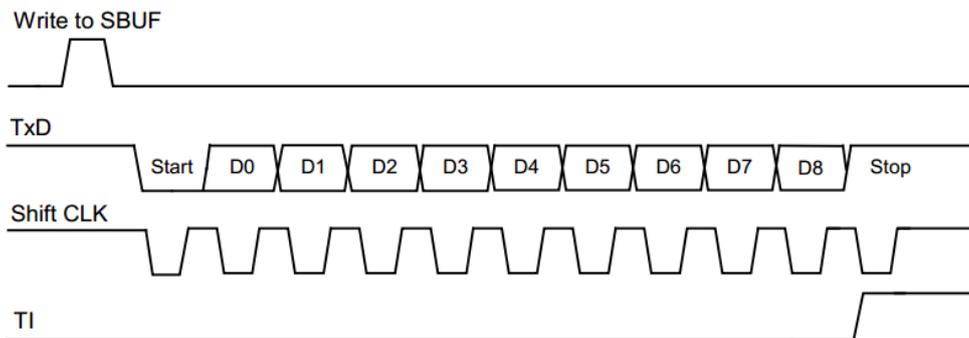


Figure 13 - 8 Mode2 Send the data time series block diagram

Receive is enabled only when REN set 1. UART start to receive data when the falling edge of RXD is detected. The CPU need to sample RXD pin continuously, sampling rate equal 16 times of baud rate. When detecting falling edge, 16 division frequency counter reset immediately to help 16 frequency counter and RXD pin serial data synchronization. 16 frequency counter's every bit time is divided into 16 states, at the 7, 8, and 9 states, the bit detector sample the level on RXD pin. To restrain noise, in this 3 sample states, at least 2 samples data are same, the data will be received. If first received bit is not 0, indicates that this is not a start of frame, this bit is ignored, the receive circuit is reset, wait for the RXD pin of another falling rise. If start bit is valid, then move into the shift register, and then move the other bits to shift register. 9 data bits and 1 stop bit after moving, the data of the shift register and the stop bit is loaded into SBUF and RB8 respectively, RI set 1, but it must meet the following conditions:

- (1) RI = 0
- (2) SM2 = 0 or 9th received bit= 1

If these conditions are met, then the 9th is loaded into RB8, 8 bits data is loaded into SBUF, RI is set to

1. Otherwise the receive frame is lost.

If stop bit is 0, the frame error will be generated.

Among the stop bit, the receiver will return to detect RXD port if there has another falling edge. User must use the software to clear RI, and receive again.

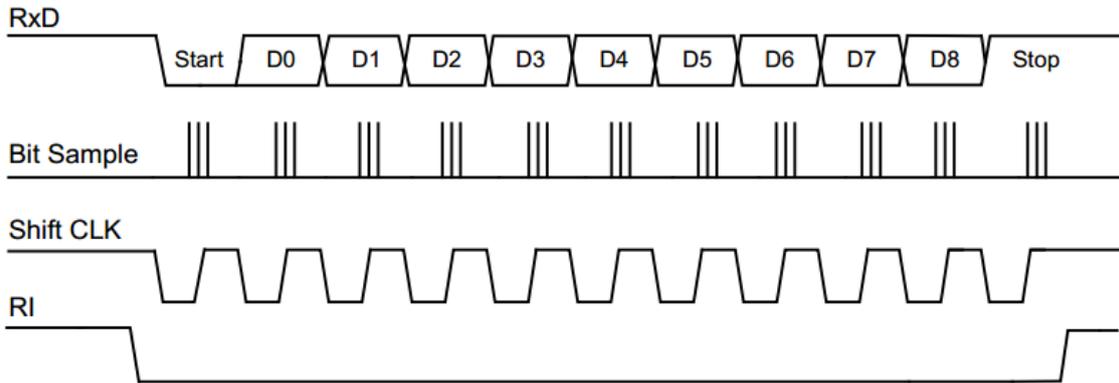


Figure 13 - 9 Mode2 receive data timing diagram

13.2.4 Mode3 : 9 bit UART, variable baud rate, asynchronous full duplex

Mode3 uses the transmission protocols of mode 2 and baud rate generation method of mode1.

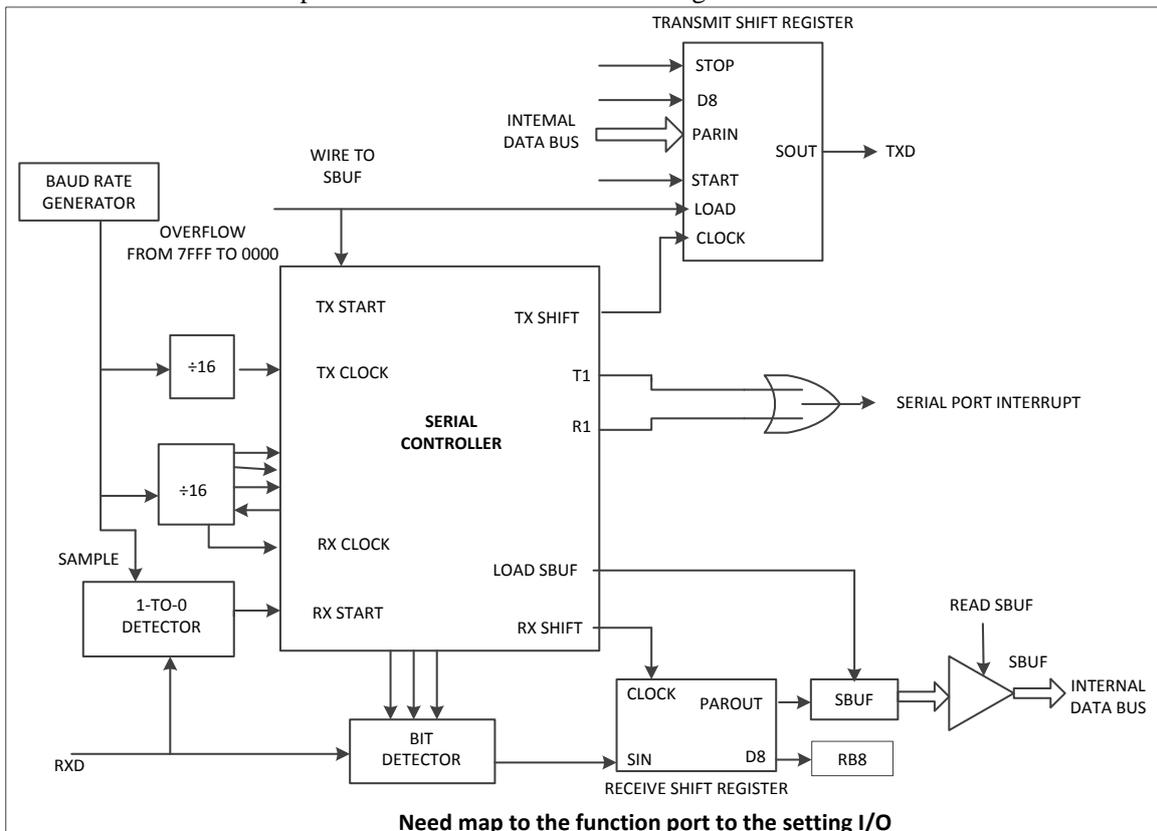


Figure 13 - 10 UART mode3 function block diagram

13.3 Baud rate generator

Timer 4 UART1 is used as the baud rate generator. Select Timer 4 work mode: as the baud rate generator.

The mode is similar to automatic reload mode. Overflow of Timer 4 will cause 16-bit value in Timer 4 reload register load into Timer 4 counter via software, and will generate overflow interrupt. If user does not want to generate interrupt, user can close ET4. The baud rate of UART1 mode1 and mode3 is calculated by the formula as below:

$$\text{BaudRate} = \frac{1}{16} \times \frac{f_{T4}/\text{PRESCALER}}{65536 - [\text{TH4}, \text{TL4}]} \quad \text{Timer 4 is the baud rate generator.}$$

In the last formula, TH4 and TL4 are data register of Timer 4.

Following table is common Fosc frequency and baud rate corresponding to the Timer 4 count values:

Commonly used baud rate	Fosc		
	4MHz	8MHz	16MHz
1200	FF2F	FE5F	FCBF
2400	FF98	FF2F	FE5F
4800	FFCC	FF98	FF2F
9600	FFE6	FFCC	FF98
19200	FFF3	FFE6	FFCC
38400	/	FFF3	FFE6

13.4 Multiprocessor communication

13.4.1 Software address recognition

Mode 2 and mode 3 have applied to communication functions. In both modes, receive data is a 9-bit data, after the 9th bit data is moved into RB8, next bit is stop. You can set UART: when receiving a stop bit and RB8 = 1, serial port interrupt is valid (request flag RI is set). This moment set SM2, UART work in multiprocessor communication mode.

In multiprocessor communication system, please use the functions as described below. When a host sends a data block to one of several slaves, first send an address byte for addressing the target slave. You can use the 9th bits to distinguish between address byte and data byte, the 9th bit of address byte is 1, and the 9th bit of data byte is 0.

If slave SM2 is 1, it cannot response the interrupt of data byte. Address bytes can enable the interrupt of all slaves, each received address byte is checked by slave, and distinguish whether or not this slave is the target slave. The slave is addressed clear SM2 to 0, and ready to receive incoming data bytes. When finished, once again slave set SM2. The slaves have not been addressed, reserved SM2 bit as 1, do not respond to the data bytes.

Note: in mode1, SM2 is used to detect whether or not the stop bit is valid, if SM2 = 1, and receive interrupt does not respond until it receives a valid stop bit.

13.4.2 Automatic (hardware) address recognition

In mode 2 and mode 3, SM2 is set, UART operation state is as follows: it receives the stop bit, the 9th bit is 1 (address byte), and the data bytes received in accordance with UART slave address, UART generate an interrupt. Slave clear SM2 to 0, the data bytes received subsequently.

The 9th bit is 1 indicates that the byte is address, not data. When a host sends a group of data to one of slaves, it must be sent the target slave address first. All slaves wait to receive the address byte, in order to ensure interrupt occur only when the receiving address byte, SM2 bit must be set to 1. Automatic address recognition is only the address matched can generate interrupt, and comparison is completed by hardware.

After interrupt, the address matched slave clear SM2, continue to receive data bytes. The slave address does not matched is not affected, and will continue to wait to receive its matched address byte. After all information received, the addresses matched slave must set SM2 again, and ignore all non-address bytes transmission, until receiving the next address byte.

When user use automatic address recognition, by calling the appointed slave address the host select one or more slaves for communication. Host uses the broadcast address can address all slaves. There are two special function registers, the slave address (SADDR) and address shield (SADEN). Slave address is an 8 bits

byte, saved in the SADDR register. SADEN defines SADDR bits is valid or not, if one bit in SADEN is 0, SADDR corresponding bit is ignored, if one bit in SADEN is 1, SADDR corresponding bit will be used to produce the appointed address. This user can flexible address more than one slaves without changing the slave address in SADDR register.

	From the slave1	From the slave2
SADDR	10100100	10100111
SADEN	11111010	11111001
Contract address	10100x0x	10100xx1
Broadcast address	1111111x	11111111

The slave1 and 2 address lowest bit is different. Slave1 the lowest bit is ignored, and slave2 lowest bit is 1. When only slave1 in communication, the host must send the lowest bit is 0 as address (10100000). Similarly, the slave1 lowest bit is 0, slave2 lowest bit is ignored. Therefore, only slave2 in communication, the host must send the lowest bit is 1 as address (10100011). If the host will need to communicate with the two slaves, the bit0 equal 1, bit1 equal 0, bit2 is ignored by the two slaves, and two different addresses for the slave selection (1010 0001 and 1010 0101).

Host uses the broadcast address to communicate with all slaves at the same time. This address is equal bitwise or of the SADDR and SADEN, 0 in result indicates that the bits are ignored. In most cases, the broadcast address is 0xff, the address can be responded by all slaves.

After system reset, SADDR and SADEN registers are initialized to 0, these two results set the appointed address and broadcast address xxxxxxxx (all bits are ignored). By this way the characteristic of communication is removed effectively, and disable the automatic addressing mode. The UART will respond any address, and compatible with the 8051 controller that does not support automatic address recognition. User can implement software address recognition of multiprocessor communication in accordance with the methods above.

13.5 Frame error detection

After 3 error flags are set, only clear to 0 through software, although subsequent frames received without any errors and are not automatically cleared.

13.5.1 Send conflict

If one of the data send is in progress, when user writing data to SBUF, send conflict bit (TXCOL Bit) is set to 1. If send conflict occur, the new data will be ignored, and cannot be written to the send buffer (that do not affect the transmission).

13.5.2 Receive overflow

RI set 1, the data in the receive buffer is not being read, RI is cleared to 0, receive new data again, if user has not read the received data in the buffer before the new data is not received completion (RI set 1), then receive overflow bits (RXROV bit) is set. If receive overflow occur, does not affect the original data in the receive buffer, but subsequent data is lost.

13.5.3 Frame error

If it detects an invalid (low) stop bit, then frames error bit (FE bit) is set to 1.

13.6 UART1 registers

13.6.1 UART1 control register SCON, SCON2

SCON

Bit	7	6	5	4	3	2	1	0
R/W	R/W	R/W	R/W	R/W	R/W	R/W	R/W	R/W
Reset values	0	0	0	0	0	0	0	0
Flag	FE	RXROV	TXCOL	REN	TB8	RB8	TI	RI

Bit	Flag	Introductions
7	FE	Frame error detection bit 0 : No frame errors, or software of clearance 0 1 : Frame errors, hardware set 1
6	RXROV	Receive overflow flag 0 : without receiving overflow or software of clearance 0 1 : Receive overflow, hardware set 1
5	TXCOL	Sending conflict flag 0 : No send conflict or software of clearance 0 1 : Send conflict, hardware set 1
4	REN	Serial receive enable control bit 0: Disable serial receive 1: Enables serial receive
3	TB8	In mode2/3, It is the 9th of send data, software set 1 or clear 0
2	RB8	In mode2/3, It is the 9th of send data, as frame flag of a parity bit or address frame/data
1	TI	send interrupt request flags bit 0: Software clear 0 1: In mode0, at the end of sending serial send 8th data, the hardware auto set 1, in other mode, when at start of sending stop bit, hardware set 1
0	RI	receive interrupt request flags bit 0: Software clear 0 1: In mode0, at the end of receiving serial send 8th data, the hardware auto set 1, in other mode, when at start of receiving stop bit, hardware set 1

SCON2

Bit	7	6	5	4	3	2	1	0
R/W	R/W	R/W	R/W	R	R	R/W	R/W	R/W
Reset values	0	0	0	0	0	0	0	0
Flag	SMOD	BRTSEL	UX6	-	-	SM0	SM1	SM2

Bit	Flag	Introductions
7	SMOD	Double baud rate control bit 0 : In mode2, the baud rate = system clock F_{osc} 1/64 1 : In mode2, the baud rate = system clock F_{osc} 1/32
6	BRTSEL	0: Overflow rate of Timer4 1: Overflow rate of Timer5
5	UX6	Serial port mode0 communication speed bit 0 : Serial port mode0 Clock = $F_{osc}/12$ 1 : Serial port mode0 Clock = $F_{osc}/2$
4-3	-	Reserved (read = 0b, write invalid)
2-1	SM0:SM1	Serial mode, see the following table
0	SM2	Multiprocessor communication enable control bit (9th bit "1" validator) 0 : In mode1, does not detect stop bit, set RI whatever stop bit is 0 or 1 In mode2 and 3, not detect 9th bit, set RI whatever any bytes 1 : In mode1, enable stop checked, only a valid stop bit= "1" can set RI

		In mode2 and 3, only the address byte (9th bit = "1") can set RI
--	--	--

SM0	SM1	Work method	Function description	Baud rate
0	0	0	Synchronous shift transfer serial mode: shift register	When UX6 = 0, the baud rate is $F_{osc}/12$ When UX6 = 1, the baud rate is $F_{osc}/2$
0	1	1	8 bit UART, variable baud rate	Timer4 overflow rate /16
1	0	2	9 bit UART	$(2^{SMOD}/64) \times F_{osc}/2$
1	1	3	9 bit UART, variable baud rate	Timer4 overflow rate /16

13.6.2 UART1 data buffer register SBUF

Bit	7	6	5	4	3	2	1	0
R/W	R/W	R/W	R/W	R/W	R/W	R/W	R/W	R/W
Reset values	0	0	0	0	0	0	0	0
Flag	SBUF[7:0]							
Bit	Flag	Introductions						
7-0	SBUF[7:0]	Serial buffer register Write as the sent data needed, read as the received data						

13.6.3 UART1 automatic address recognition SADDR, SADEN

Slave address register SADDR

Bit	7	6	5	4	3	2	1	0
R/W	R/W	R/W	R/W	R/W	R/W	R/W	R/W	R/W
Reset values	0	0	0	0	0	0	0	0
Flag	SADDR[7:0]							

Bit	Flag	Introductions
7-0	SADDR[7:0]	Slave address register

Slave address mask register SADEN

Bit	7	6	5	4	3	2	1	0
R/W	R/W	R/W	R/W	R/W	R/W	R/W	R/W	R/W
Reset values	0	0	0	0	0	0	0	0
Flag	SADEN [7:0]							

Bit	Flag	Introductions
7-0	SADEN [7:0]	slave address mask register

13.7 UART2

UART2 control and work with UART1 The same register please refer to UART1

Differences:

1. UART2 registers deposited in the extended SFR ;
2. UART2 Only two works;
3. UART2 No error detection;
4. UART2 No automatic hardware address recognition.

13.7.1 UART2

13.7.1.1 Mode0 : 8 bit UART variable baud rate that asynchronous full duplex

Mode0 provides 10 bits full duplex asynchronous communication, 10 bits consist of a start bit (logical 0), 8 data bits (low bit first) and one stop bit (logic 1). When receiving, 8 data bits stored in SBUF and stop bit stored in RB8. Mode1 baud rate equals Timer 4 overflow rate /16.

Any S2BUF write operations as a destination register will start transmission. Actually sending is started from the system clock after 16 scale frequency counter's next jump. So bit time is synchronous with 16 frequency division counter, but out-sync with S2BUF write operation. Start bit shift out from TXD Pin first, and then shift 8 bits data. After all the 8 bits data in send shift register is sent, the stop bit shift out from TXD Pin, at the same time TI flag set.

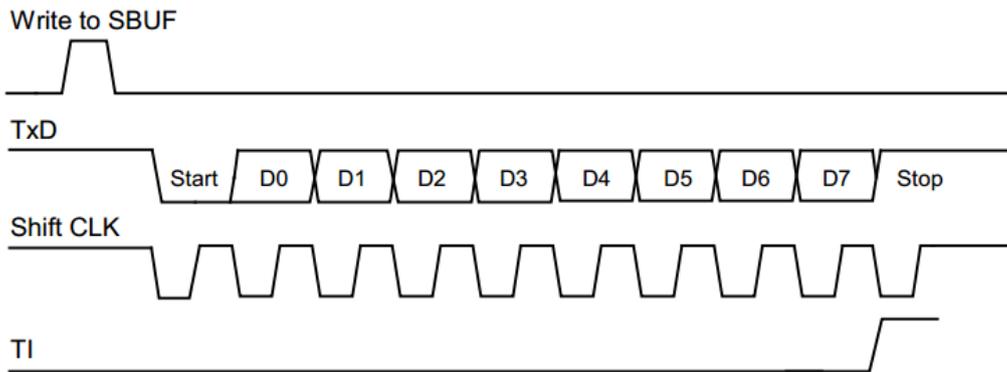


Figure 13 - 11 Send timing of mode0

Receive is enabled only when REN set 1. UART start to receive data when the falling edge of RXD is detected. The CPU need to sample RXD pin continuously, sampling rate equal 16 times of baud rate. When detecting falling edge, 16 division frequency counter reset immediately to help 16 frequency counter and RXD pin serial data synchronization. 16 frequency counter's every bit time is divided into 16 states, at the 7, 8, and 9 states, the bit detector sample the level on RXD pin. To restrain noise, in this 3 sample states, at least 2 samples data are same, the data will be received. If first received bit is not 0, indicates that this is not a start of frame, this bit is ignored, the receive circuit is reset, wait for the RXD pin of another falling rise. If start bit is valid, then move into the shift register, and then move the other bits to shift register. 8 data bits and 1 stop bit (stop bits contain errors, as described in the description of register SM2), after moving, the data of the shift register and the stop bit (stop bits that contain errors) is loaded into SBUF and RB8 respectively, RI set 1, but it must meet the following conditions:

- (1) RI = 0
- (2) SM2 = 0 don't judge stop bit or SM2=1 judge stop bit, and stop bit must be 1

If these conditions are met, then stop bit (contain the error stop bit) id loaded into RB8, 8 data is loaded into SBUF, RI is set to 1. Otherwise the receive frame is lost. At this time, the receiver will return to detect RXD port if there has another falling edge. User must use the software to clear RI, then receive again.

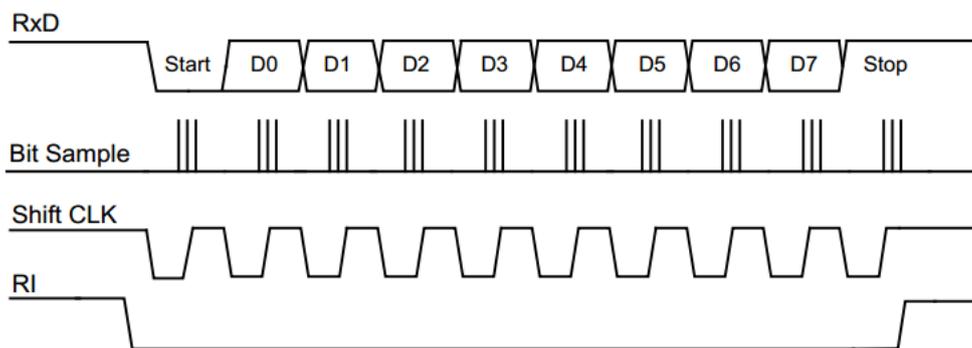


Figure 13 - 12 Receive timing of mode0

13.7.1.2 Model 1 : 9 bit UART variable baud rate, asynchronous full duplex

In this mode, frame is 11 bits by asynchronous full duplex communication. A frame consists of a start bit (logic 0), 8 data bits (low in front), a programmable 9th data bit and one stop bit (logic 1). Model1 support multiprocessor communication. At the time of data transmission, the 9th bits (TB8) can be written 0 or 1, for example, it can be written the parity bit P of PSW, or as a multiprocessor communication of data/address flag. When data is received, the 9th data is moved into RB8 and stop bits are not saved.

Any SBUF write operations as a destination register will start transmission. Meanwhile TB8 is loaded into the sending shift register's 9th bits. Actually sending is started from the system clock after 16 scale frequency counter's next jump. So bit time is synchronous with 16 frequency division counter, but out-sync with SBUF write operation. A Start bit shift out from TXD Pin first, and then shift 9 bits data. After all the 9 bits data in send shift register is sent, the stop bit shift out from TXD Pin, at the same time TI flag set.

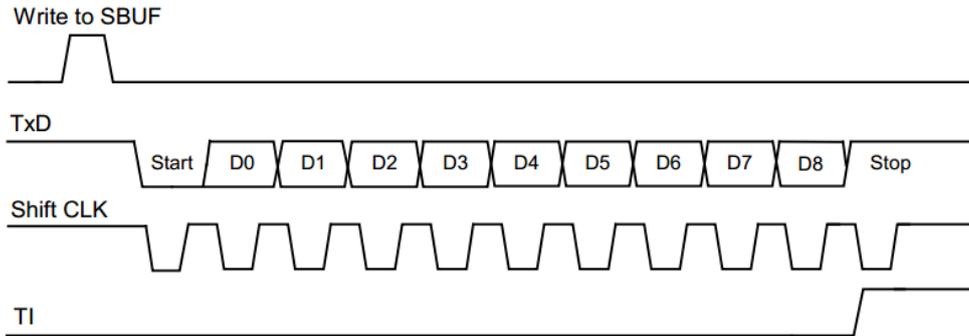


Figure 13 - 13 Send Timing of model1

Receive is enabled only when REN set 1. UART start to receive data when the falling edge of RXD is detected. The CPU need to sample RXD pin continuously, sampling rate equal 16 times of baud rate. When detecting falling edge, 16 division frequency counter reset immediately to help 16 frequency counter and RXD pin serial data synchronization. 16 frequency counter's every bit time is divided into 16 states, at the 7, 8, and 9 states, the bit detector sample the level on RXD pin. To restrain noise, in this 3 sample states, at least 2 samples data are same, the data will be received. If first received bit is not 0, indicates that this is not a start of frame, this bit is ignored, the receive circuit is reset, wait for the RXD pin of another falling rise. If start bit is valid, then move into the shift register, and then move the other bits to shift register. 9 data bits and 1 stop bit after moving, the data of the shift register and the stop bit is loaded into SBUF and RB8 respectively, but it must meet the following conditions:

- (1) RI = 0
- (2) SM2 = 0

If these conditions are met, then the 9th is loaded into RB8, 8 bits data is loaded into SBUF. But need to detect stop bit, only stop bit is 1, RI can be set, if stop bit is 0,RI will not be set.

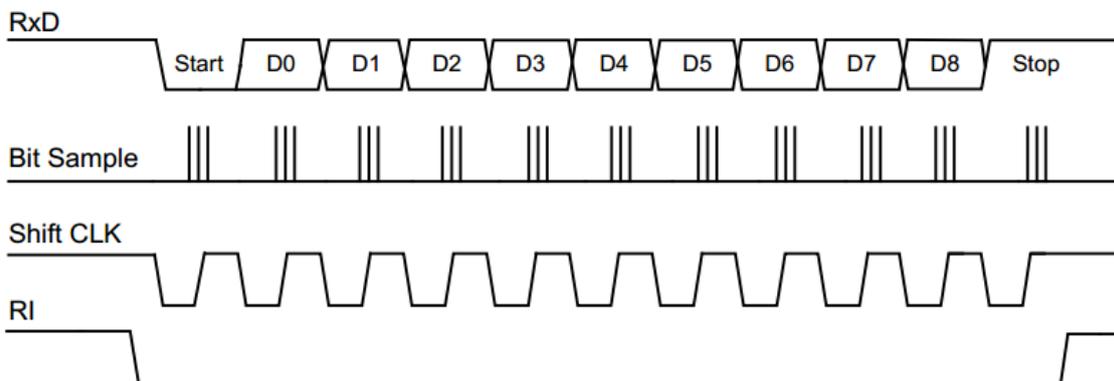


Figure 13 - 14 Receive timing of model1

13.7.2 UART2 control register S2CON, S2CON2

S2CON

Bit	7	6	5	4	3	2	1	0
R/W	R/W	R	R	R/W	R/W	R/W	R/W	R/W
Reset values	0	0	0	0	0	0	0	0
Flag	FE			REN	TB8	RB8	TI	RI

Bit	Flag	Introductions
7	FE	Frame error detection bit 0 : No frame errors, or software of clearance 0 1 : Frame errors, hardware set 1
6-5	-	Reserved (read = 0b, write invalid)
4	REN	Serial receive enable control bit 0: Disable serial receive 1: Enables serial receive
3	TB8	In mode1, It is the 9th of send data, software set 1 or clear 0
2	RB8	In mode1, It is the 9th of send data, as frame flag of a parity bit or address frame/data
1	TI	send interrupt request flags bit 0: Software clear 0 1 : when at start of sending stop bit, hardware set 1
0	RI	receive interrupt request flags bit 0: Software clear 0 1 : when at start of serial receiving stop bit, hardware set 1

S2CON2

Bit	7	6	5	4	3	2	1	0
R/W	R	R/W	R	R	R	R	R/W	R/W
Reset values	0	0	0	0	0	0	0	0
Flag		BRTSEL					SM1	SM2

Bit	Flag	Introductions
7	-	Reserved (read = 0b, write invalid)
6	BRTSEL	0: Overflow rate of Timer4 1: Overflow rate of Timer5
5-2		Reserved (read = 0b, write invalid)
1	SM1	0 : 8 UART the Timer 4/5 overflow rate /16 1 : 9 UART the Timer 4/5 overflow rate /16
0	SM2	The 9th bit detection enable bit 0 : In mode0, does not detect stop bit, set RI whatever stop bit is 0 or 1 In mode1, not detect 9th bit, set RI whatever the 9th bit is 0 or 1 1 : In mode0, enable stop checked, only stop bit is 1 can set RI In mode1, only the 9th bit is 1 can set RI

13.7.3 UART2 data buffer register S2BUF

Bit	7	6	5	4	3	2	1	0
R/W	R/W	R/W	R/W	R/W	R/W	R/W	R/W	R/W
Reset values	0	0	0	0	0	0	0	0
Flag	S2BUF[7:0]							

Bit	Flag	Introductions
7-0	S2BUF[7:0]	Serial buffer register Write as the sent data needed, read as the received data

14 Serial peripheral interface SPI

14.1 SPI characteristics

- Full duplex, three/Four-wire synchronous transmission
- Master and slave operation
- Level programmable master clock frequency
- Polar and phase programmable serial clock
- Selectable data transfer direction
- Write conflict and receive the overflow flag
- MCU interrupt main mode conflict detection
- MCU interrupt transmission end flag
- Host mode supports up to 8Mbps transmission rate ($F_{osc}=32\text{MHz}$), slave mode speed must equal $F_{osc}/16$ or below $F_{osc}/16$

14.2 SPI signal description

Master output and slave input (MOSI): the signal connected master and a slave, data from master serial sent to the slave by MOSI, and master output, slave input.

Master input and slave output (MISO): the signal connected master and a slave, data from slave serial sent to the master by MISO, and slave output, master input. When the device is slave and has not been selected, MISO pin of slave in a high impedance state.

Serial clock (SCK): the signal used for control MOSI MISO synchronous operations of the input and output data, each 8 clock cycles MOSI and MISO transmits a byte, if the slave is not selected, SCK signal will be ignored. Note: only the master device can generate the SCK signal.

Slave device select pin (\overline{SS}): each slave devices is selected by pin (\overline{SS}). When the signal is low level, indicating that the slave is selected. Master can control the pin (\overline{SS}) port level of slave device by software to select each of slaves, clearly that only a master device can drive total transmission network. In order to avoid the MISO bus conflict, only enable one slave device to communicate with master device at the same time. In master **mode**, the (\overline{SS}) Pin state is associated MODF flag in SPI state register SPSTAT to avoid more than one master device driver MOSI and SCK.

The following conditions, (\overline{SS}) pin can be used as normal port or other functions:

(1) Device as the master equipment, SSIG flag in SPI control register SPCTL is set to 1. This configuration only support one master device in the communication network, therefore, the MODF flag in SPI state register SPSTA will not be set to 1.

(2) Device as the slave device, CPHA and SSIG flags in SPI control register SPCTL are set to 1. This configuration only support one master and one slave device in the communication network, therefore, the device are always selected, master device does not need to control the slave device (\overline{SS}) pin as the communication goal.

When the slave device (\overline{SS}) pin is enabled, other devices can enable the pin to maintain a low level to select the device. In order to avoid the MISO bus conflict, in principle, don't enables two or more devices are selected.

When the master device (\overline{SS}) pin is enabled, If (\overline{SS}) is pulled down will set the mode error flag MODF (interrupt), and MSTR bit will also be cleared to 0, the device will be switched to slave device compulsorily.

When $MSTR = 0$ (slave model) and $CPHA = 0$, SSIG must be 0, because the data transmission need cooperation with (\overline{SS}) pin at this time.

14.3 SPI clock rate

In the master mode, SPI transmission rate have 4 levels, namely the internal clock 4, 16, 64, 128 frequency division, user can select by SPR[1:0] bit in SPCTL register.

14.4 SPI functional block diagram

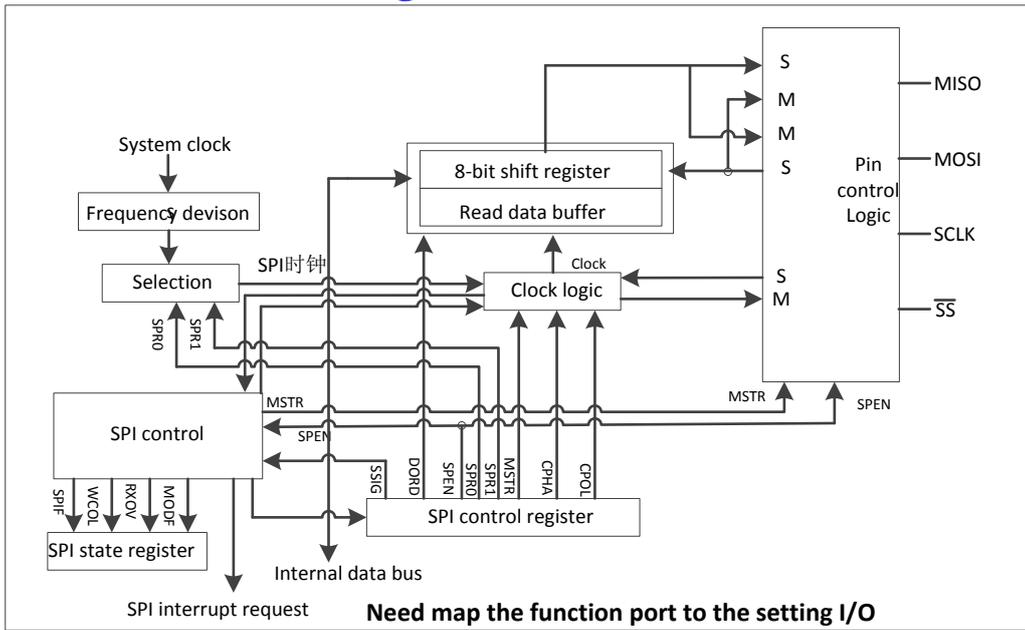


Figure 14 - 1 SPI functional block diagram

14.5 SPI work mode

SPI can be configured in master mode or slave mode. SPI module configuration and initialization by setting the register related. Further setting that is used to complete the data transfer.

During SPI communication, data is moved serial in and out synchronously, serial clock (SCK) is used to keep data movement and sample synchronization on two serial data lines (MOSI & MISO). The slave device (\overline{SS}) pin can be selected slave device independently, if the device is not selected, user cannot participate in the SPI activity on the bus.

When SPI master device transmits data to the slave device by MOSI, as response the slave device send data to master device by MISO, and achieve the data at the same clock sending and receiving of synchronous full duplex transmission. Send shift register and receive register use the same SFR address, the write operation of SPI data register SPDAT will write into send shift register, the read operation will get the receive shift register data.

Note: the data written does not affect the read data needed.

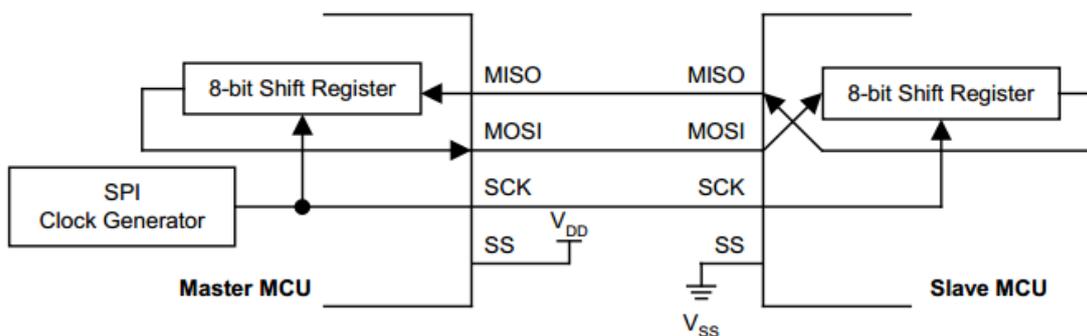


Figure 14 - 2 Full-duplex master/slave interconnect diagram

Master mode

(1) Mode startup

SPI master control the startup of all data transfer on the SPI bus. Only one master device can enable transfer on one SPI bus.

(2) Send

SPI master mode, when write a byte of data to the SPI data register SPDAT, data will be written to the send shift buffer. If one data already in the send shift register or is being transferring, SPI will generates a

WCOL signal to indicate that writing is too fast. But the data in send shift register will not be affected, send is not disrupted.

(3) Receive

When SPI master device transmits data to the slave device by MOSI, via MISO pin, data in sent shift register of it can also be transfer to the receive shift register of the master device, and achieve full-duplex operation. So SPIF flag is set to 1 indicates the data sent completed and the data received is complete also. The SPI module is receive double buffer, that is to say, data can be read out after SPIF is set to 1, but it must be read out before the next byte of data receive completed, otherwise it will reset the receiver overflow flag RXOV, If receive the overflow occur, subsequent data will not be moved into the receive registers, when receive overflow, SPIF could properly set to 1.

Slave mode

(1) Mode start up

Set MSTR to 0 (If \overline{SS} is enabled it must be pulled low), the device run in slave mode, mode cannot be changed during data transfer (\overline{SS} pins must maintain low level), or the data transfer will fail (SPIF will not be set to 1).

(2) Send

SPI slave the device cannot start the data transfer, so SPI slave device must write the data is transmitted to master into send shift register before the master starts a new data transfer of data. If they are not data be written to a send shift register before sending, slave device will transfer data "0x00" to the master device. If the shift register has data when writing data (or in transmitting), the WCOL flag of SPI slave device will be set to 1, indicates the SPDAT writing is conflicted. But the data in shift register will not be affected, transmission is not disrupted. SPIF will be set to 1 when transfer is done.

(3) Receive

IN Slave mode, it is controlled by SCK signal of master device, data shift via MOSI, when the counter count SCK Edge to 8, represents a byte of data is received, SPIF will be set to 1, data can be read from SPDAT register, but it must be read out before next data receive completion, otherwise the receiver overflow flag RXOV will be set, if receiving overflow has occurred, subsequent data will not be moved into the receive registers, when receive overflow, SPIF could properly set to 1.

14.6 SPI transfer form

By software setting the CPOL and CPHA bit in register, the user can choose SPI the four combinations of clock polarity and phase. CPOL bit define clock polarity and that the level of free time. CPHA bit define clock phase, as define the sampling clock edge that enables data transfer. In two master and slave devices communication, clock polarity and phase settings should keep consistent.

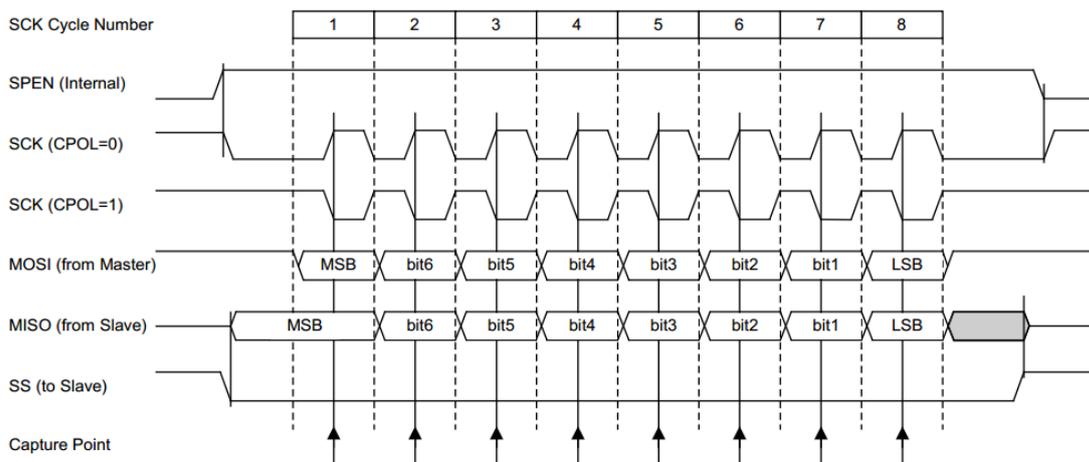


Figure 14 - 3 Data transfer form (CPHA=0)

If CPHA = 0, data is captured at the SCK first edge, so the slave device must be ready before SCK first edge, so the slave device start to sample data from the falling edge of \overline{SS} pin. \overline{SS} pin must be pulled high after one byte transmit every time, and be pulled down before sending the next byte again, so when CPHA = 0, SSIG is not valid, that is to say, \overline{SS} pin is forced to enabled.

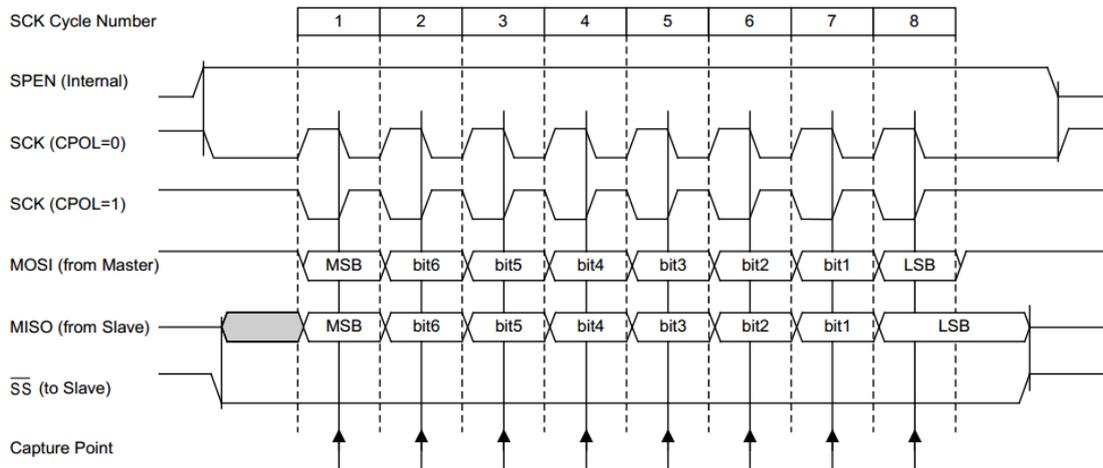


Figure 14 - 4 Send form data (CPHA=1)

If CPHA = 1, Master device output data to MOSI at SCK first edge, the slave device keep the SCK first edge as a start signal. User must complete the SPDAT write operation during first 2 edges of first clock,. Transfer each other modes cannot be changed, or the sending and receiving of data will fail, the mode changed of register data (send data), and state (receive empty) are unchanged. This form of data transfer is the first forms of a single between master-slave communication devices.

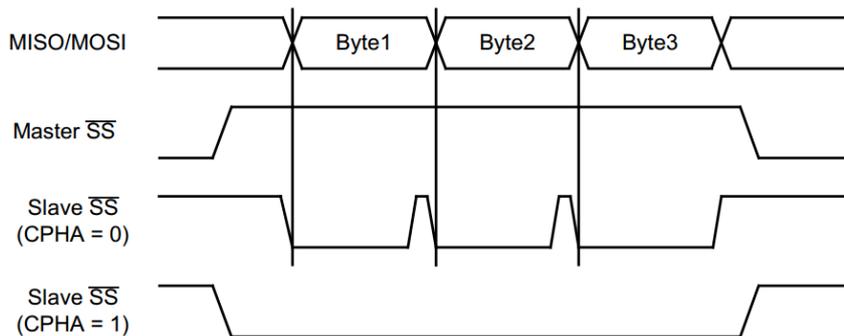


Figure 14 - 5 CPHA/SS timing sequence

14.7 SPI Error detection

The flags in SPSTA register define SPI communication errors:

(1) Mode fault (MODF)

Mode fault in SPI master mode shows SS Pin level is inconsistent with the actual mode of device, MODF flag will be set to 1 (can occur interrupt), and indicates there have multi-master devices conflict in SPI control system, this moment the hardware clear the SPEN bit automatically, namely close SPI modules first and hardware clear MSTR bits automatically. If need to restart the SPI module, MODF must be written 1 and cleared 0 by software, then set SPEN.

(2) Write conflict (WCOL)

When data is not being sent or in sending, continue write data operation to SPDAT will cause a write conflict, WCOL bit will be set to 1, but sending does not terminate. Need software write 1 and clear 0.

(3) Receive the overflow (RXOV)

When before the completion receive of the second data, if previous received data SPIF flag has not been cleared, the receive overflow flag RXOV will be set, when SPIF is set to 1, later received data will not be saved in register, so before saving the receive data into SPDAT, SPIF must be cleared, RXOV need software write 1 and clear 0.

14.8 SPI interrupt

Two SPI state flags SPIF&MODF can generate a CPU interrupt request.

Serial data transmission completion flag SPIF: hardware set to 1 after one byte of data sent/receive is

completed.

Fault mode flag MODF: the bit is set to 1 is the device mode (master) is inconsistent with (\overline{SS}) pin levels, SSIG bit is 1 (\overline{SS}) has not been enabled), no MODF interrupt request.

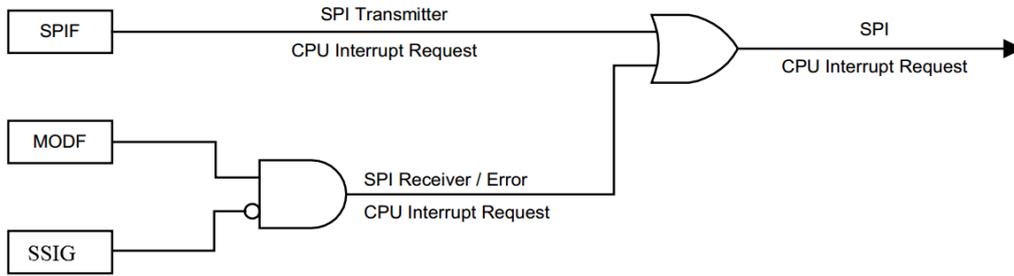


Figure 14 - 6 SPI interrupt request generation

14.9 SPI configuration table

SPEN	SSIG		MSTR	Master or slave mode	MISO	MOSI	SCK	Notes
0	x	I/O	x	SPI function disable	I/O	I/O	I/O	SPI disable
1	0	0	0	Slave mode	Output	Input	Input	Select slave
1	0	1	0	Slave mode not selected	High impedance	Input	Input	Not selected. MISO is high impedance to avoid bus conflict
1→0	0	0	1→0	Close SPI	Output	Input	Input	SS configured as input, SSIG is 0. If SS is driven as low level, the device is selected as slave. This moment MSTR clear 0 and set the mode error flag MODF, and it can be used to interrupt request.
1	0	1	1	Master (free)	Input	High impedance	High impedance	When the master is idle, MOSI and SCK are high impedance state to avoid a bus conflict. User must pull up or pull down SCK (according to CPOL value) to avoid SCK in floating.
				Master (active)		Output	Output	As a master in active, the MOSI and SCK are push-pull output.
1	1	I/O	0	Slave	Output	Input	Input	CPHA Cannot be 0
1	1	I/O	1	Master	Input	Output	Output	-

14.10 SPI registers

14.10.1 SPI control register SPCTL

Bit	7	6	5	4	3	2	1	0
R/W	R/W	R/W	R/W	R/W	R/W	R/W	R/W	R/W
Reset values	0	0	0	0	0	0	0	0
Flag	SSIG	SPEN	DORD	MSTR	CPOL	CPHA	SPR[1:0]	

Bit	Flag	Introductions
7	SSIG	\overline{SS} pin enable bit 0 : \overline{SS} pin is used to determine the device is master or slave 1 : MSTR determine the device is master or slave, \overline{SS} pin as normal I/O
6	SPEN	SPI enable bit 0 : Disable SPI module, related pins are general I/O (recommended I/O set high impedance) 1 : Enable SPI module, related pins are SPI communication pins
5	DORD	Transfer direction selection bit 0 : MSB send first 1 : LSB send first
4	MSTR	Master/slave mode selection bit 0 : Slave mode 1 : Master mode
3	CPOL	SPI Clock polarity selection bit 0 : Low level when SCK idle 1 : High level when SCK idle
2	CPHA	SPI Clock phase selection bit 0 : Data sample at the SPI the first edge of the clock 1 : Data sample at the SPI the second edge of the clock Note: When SSIG = 0&CPHA = 0, at \overline{SS} low the data is driven; and when CPHA = 1, the data is driven at the edge of the previous SCK.
1-0	SPR[1:0]	SPI clock rate selection control bit 00 : $F_{osc}/4$ 01 : $F_{osc}/16$ 10 : $F_{osc}/64$ 11 : $F_{osc}/128$

14.10.2 SPI state register SPSTAT

Bit	7	6	5	4	3	2	1	0
R/W	R/W	R/W	R/W	R/W	R	R	R	R
Reset values	0	0	0	0	0	0	0	0
Flag	SPIF	WCOL	RXOV	MODF	-			

Bit	Flag	Introductions
7	SPIF	SPI transfer complete flag 0 : Software write 1 clear 0 1 : One time transfer is completed, the hardware set 1, and also as interrupt request flag
6	WCOL	SPI write conflict flag 0 : Software write 1 clear 0 1 : Implement SPDAT writing operation during transfer, hardware set 1, (the data

		being transmitted is not affected)
5	RXOV	SPI receive overflow flag 0 : Software write 1 clear 0 1 : Received overflow occur, hardware set 1 Note: receive is double BUFF and receive overflow occur at the time of previous received data SPIF flag has not been cleared before the completion receive of the second data. So SPIF must be cleared before ready to receive next data every time, otherwise RXOV will be set to 1, it does not affect the SPI receive.
4	MODF	Fault mode flag 0 : Software write 1 clear 0 1 : When (\overline{SS}) pin level is inconsistent with SPI mode, hardware set 1 (and switch to slave mode immediately), as interrupt request flag.
3-0	-	Reserved (read = 0b, write invalid)

14.10.3 SPI data register SPDAT

Bit	7	6	5	4	3	2	1	0
R/W	R/W	R/W	R/W	R/W	R/W	R/W	R/W	R/W
Reset values	0	0	0	0	0	0	0	0
Flag	SPDAT[7:0]							

Bit	Flag	Introductions
7-0	SPDAT[7:0]	SPI data register

15 IIC bus

15.1 IIC characteristics

- Double line communication
- Support master mode and slave mode
- Support multi-master communication with clock arbitration function
- Support address programmable
- Support standard data rate (up to 100kbps) and fastest data rate (up to 400kbps)

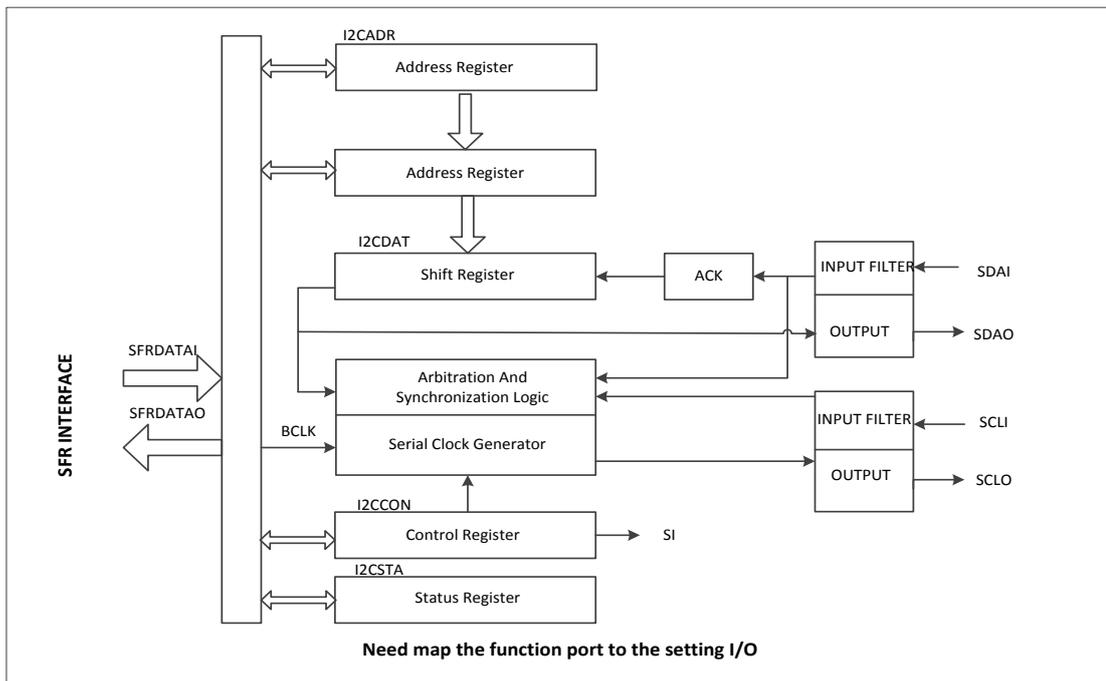


Figure 15-1 IIC function diagram

15.2 IIC bus work principle

In physical architecture, IIC system is consist of a serial data line SDA and clk line SCL. Master transmit information as regular communication protocol, during data transmission, the initialization is cpmpleted by master. Master transmit data via SDA, meanwhile transmit clock via SCL. Transmission target and direction, start and end of transmission are all determined by master.

Every device has a unique address, and it could be single receiver or transceiver device. Transmitter or receiver could be operated in master or slave mode. It is determined whether or not the chip must be start up data transmission or be addressed only.

Below is general, typical IIC bus connection mode.

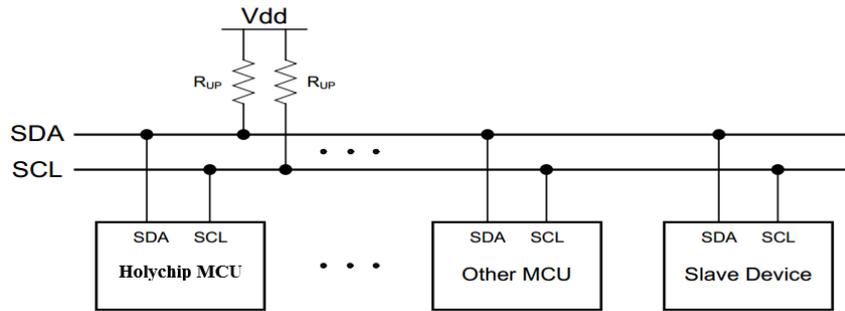


Figure 15-2 IIC bus connection diagram

15.3 Bus data availability

IIC bus transmits data by serial. High bit of byte is transmitted first, each bit has a corresponding clock edge on SCL. A stable logic level must be maintained on data line during clock high level, high level is data 1, low level is data 0, the level of data line is permitted to change only during clock is low. As figure 16-3 below:

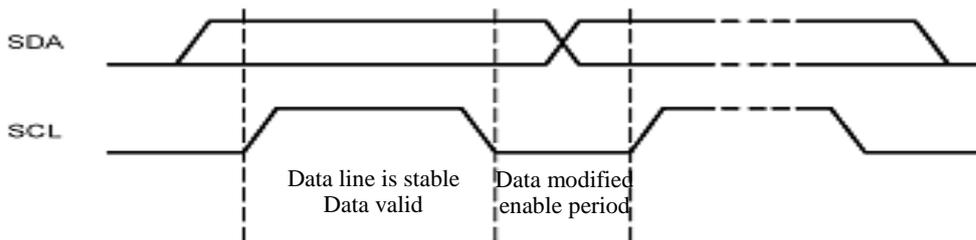


Figure 15-3 IIC bus data availability

15.4 Bus signal

IIC bus data transmission includes 4 types signal, they are: start signal, stop signal, restart signal, acknowledge signal.

Start signal (START): As Figure 15-4 shown, when SCL is high level, SDA transition from high level to low, it is start signal. When bus is idle, for example, no device is using the bus(SDA and SCL are high), master send start signal to establish communication.

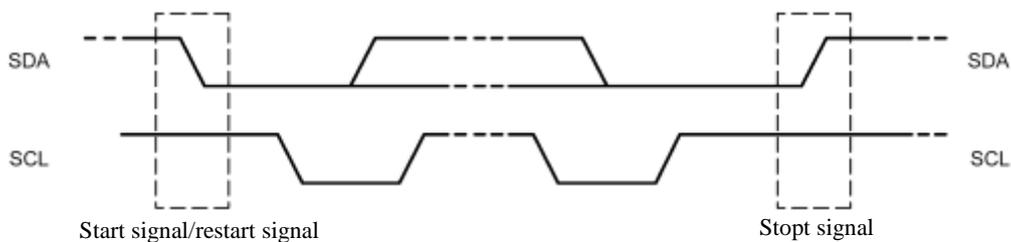


Figure 15-4 Start, restart, stop signal

Stop signal(STOP): as figure 15-4 shown, when SCL is high level, SDA transition from low level to

high, it is stop signal. Master end the data communication by sending a stop signal.

Restart signal (repeated START): on IIC bus, master send a start signal to start-up one time communication, before first time sending stop signal, by sending a repeated start, master can change the communication mode with current slave or switch to communicate with other slaves. As figure 15-5 shown, when SCL is high, SDA transition from high to low, a repeated start signal is generated, it is a start signal essentially.

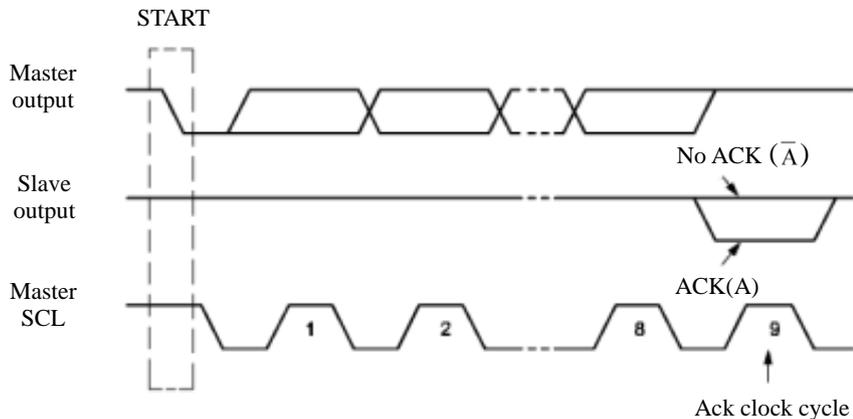


Figure 15-5 IIC bus acknowledge signal

Acknowledge signal (A): after slave received 8 bit data, it will send to master a special low level. Every byte must be followed by a acknowledge bit to indicates data has been received. Acknowledge appeared at the 9th clock cycle, the master must release data line at this time, and slave pull down the SDA line to generate acknowledge signal, or slave maintain the SDA line as high to generate a no acknowledge(\bar{A}), as Figure15-5 shown. So one byte transmission needs 9 clock cycle. If slave as receiver send no acknowledge signal to master, the slave will end the transmission, and release SDA line. Any above cases will end the data transmission. At this time master sends stop signal to release bus, or generates repeated start signal to restart a new transmission. Start signal, repeated start and stop signal are all controlled by master, acknowledge signal is generated by receiver.

15.5 Bus data Initialization format

In general, a standard IIC communication is consist of 4 parts: start signal, slave address transmission, data transmission, stop signal.

Master send a start signal to start up one time IIC communication; after master address slave, then transmit data on bus. Every data is 8 bits, high bit sent first, and every byte must be followed by a acknowledge bit. The lengths of data are not limited; after end of all data transmission, master send a stop signal to end the communication.

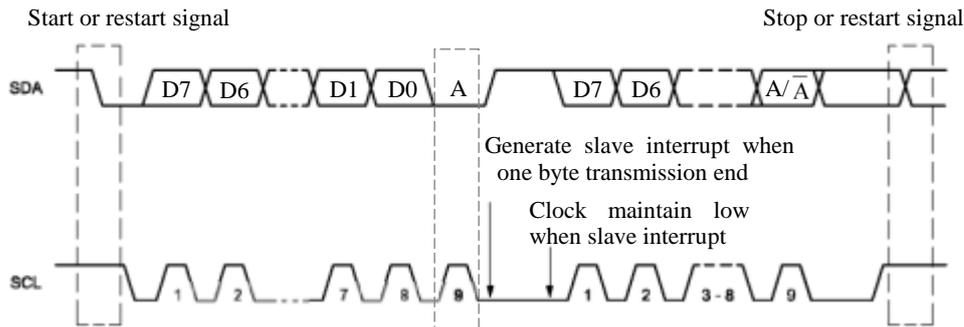


Figure 15-6 IIC Bus data transmission format

As Figure 15-6 shown, data transmission will be stopped when clock is low. After one byte received, this case can be used to the receiver need some other operation but cannot receive next data immediately, and force bus to idle status, until the receiver ready to receive new data, it will release clock signal to enable transmission again. For example, when receiver got one byte from master, system will generate and enter interrupt processing, after the interrupt next byte can be received, and in interrupt procedure the receiver will maintain low level of SCL until the interrupt end.

15.6 IIC bus addressing appointment

Slave device on IIC bus has a special 7 bits slave address usually, it has up to 128 coded space when use 7 bits slave address, so based on original 7 bits address, 10 bits address code format. It is match IIC bus protocol too.

“Broadcast call” is an exception, it can address all devices by writing 0 to the first byte. Broadcast call is used to the case that master need send the same information to several slaves. When the address is using, the other devices will respond or ignore as software configuration. If device responds broadcast call, the operation is same as slave receive mode.

15.7 Process of master write one byte to slave

As Figure 15-7 shown, when master send one byte to slave, first master send a start signal, and a slave address followed, the address has 7bits, then the 8th bit followed is data direction bit(R/W), 0 indicates master send data (write), 1 indicates master receive data (read), this time master wait slave give a acknowledge(A), when master received an acknowledge signal, send the address will be accessed, and wait slave give an acknowledge again, then master will send one byte data after received an acknowledge, and continuous to wait slave give an acknowledge, when master received the acknowledge, it will generate a stop signal, and end the transmission.

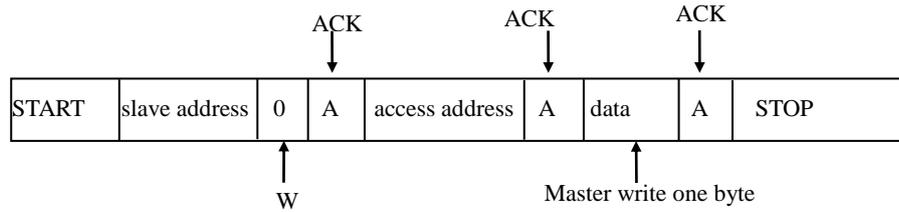


Figure 15-7 Master write one byte data to slave

As Figure 15-7 shown, master read one byte data from slave, first master sends a START signal, then follows a slave address, the 8th bit of the address is 0, it indicates a write command to slave, the master wait slave give an acknowledge(A) at this time, when master received an acknowledge signal, send the address will be accessed, and wait slave give an acknowledge again, then master will change the communication mode(master changed from transmitter to receiver, slave changed from receiver to transmitter) after received an acknowledge. So master send a restart signal, then follows a slave address, the 8th bit is 1, it indicates master has been set receive mode and start to receive data, this time master wait an acknowledge from slave, when master received acknowledge signal, then it can receive one byte data, when receive is completed, master send a no acknowledge signal, it indicates receive end, master generates a stop signal, and end the transmission.

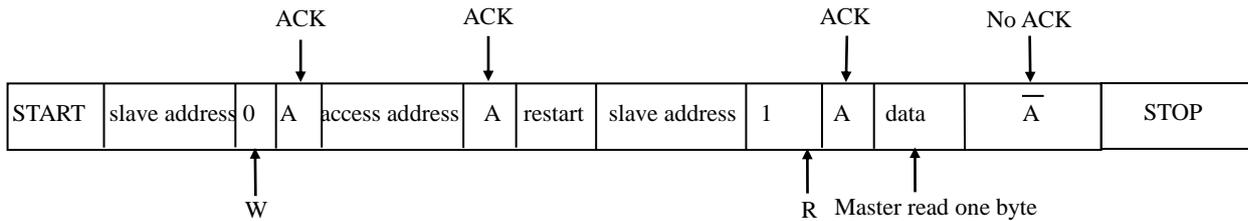


Figure 15-8 Master read one byte data from slave

15.8.2 Master receive mode

In master receive mode, master receive data from slave as next steps. Start of transmission is same as master send mode, the target address and data direction it "read" (SLA + R) will be loaded into IICDAT, after SLA + R byte is sent, and return an acknowledge, reset SI bit and read IICSTA as 40H, SI bit must be cleared to 0 to receive data from slave, if AA is set, master receiver will respond slave transmitter, if AA is cleared, master receiver will not respond slave, and release slave receiver as no-addressed slave, then master generates stop signal, repeat start signal to terminate transmission or start another transmission.

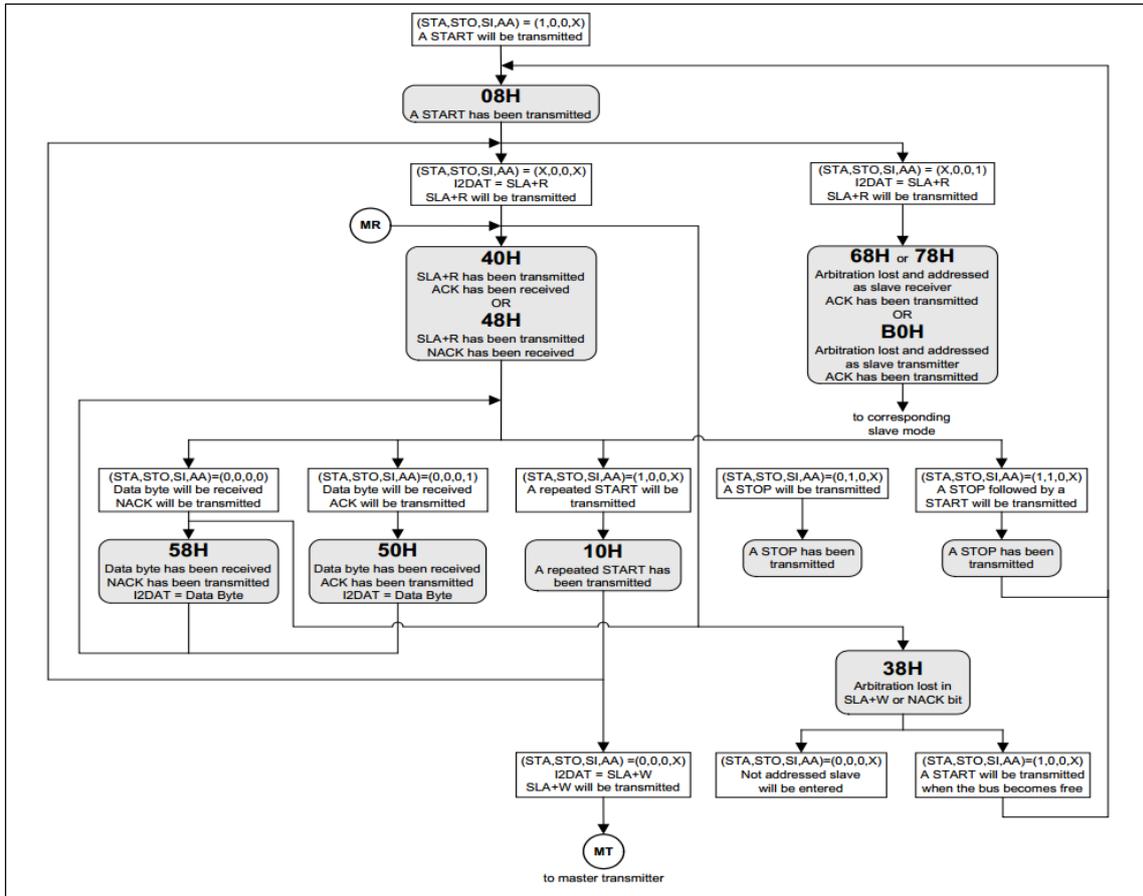


Figure 15-10 Master receive mode flow and status

15.8.3 Slave send mode

In slave send mode, slave send some data to master as next steps: after configure IICADR and IICCON register value, IIC wait itself address is addressed “read” (SLA + R). if arbitration fails, it can enter slave transmit mode.

After slave is addressed by SLA+W, user should clear SI flag to transmitt data to master transmitter, in general, master receiver return reponse after slave send every byte, if the acknowledge is not been received, and if the transmission continuous it will send all “1”, it will become no-addressed slave, if AA flag is cleared during transmission, slave send the last byte, next time the transmission data are all “1”, slave is no-addressed.

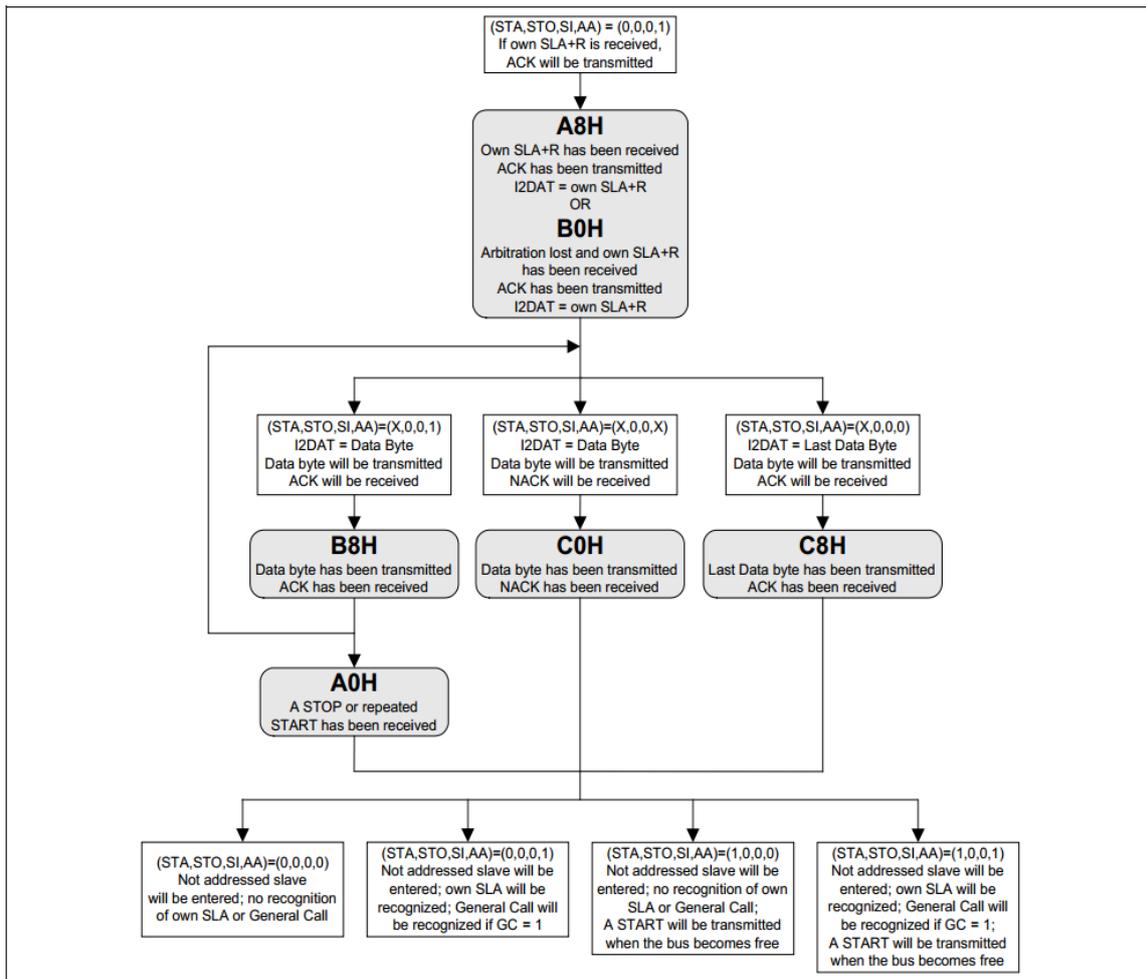


Figure 15-11 Slave send mode flow and status

15.8.4 Slave receive mode

In slave receive mode, slave receive some data from master as next steps: before starting, IICADR must be loaded reponse device address to addressed by master, AA bit must set to enable repond itself slave address or broadcast call, and after above initialization completed, IIC wait itself address is addressed and data direction bit “write” (SLA + W) or addressed by broadcast call. If arbitration fails, it can enter slave receive mode.

After slave is addressed by SLA + W, user should clear SI flag to receive data from master, During transmission, if AA flag equal 0, slave will return no-acknowledge after the data received next time, slave is no-addressed and separate from master, cannot receive any data in IICDAT, and maintain the current data received.

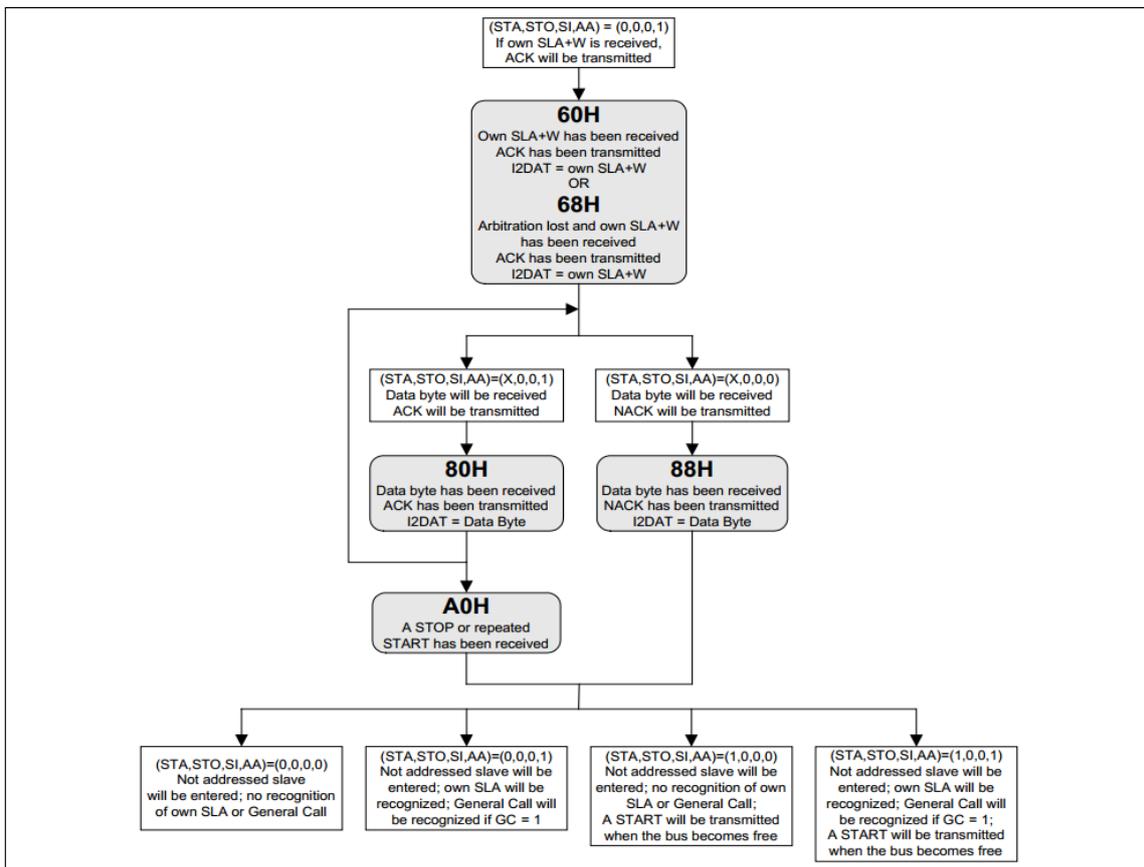


Figure 15-12 Slave receive mode flow and status

15.8.5 Broadcast call

Broadcast call is one of special slave receive modes, that is slave address and data direction bit are all 0, the slave is addressed by broadcast call has different status code in IICSTA register of normal slave receive mode, arbitration fails, it can generates broadcast call.

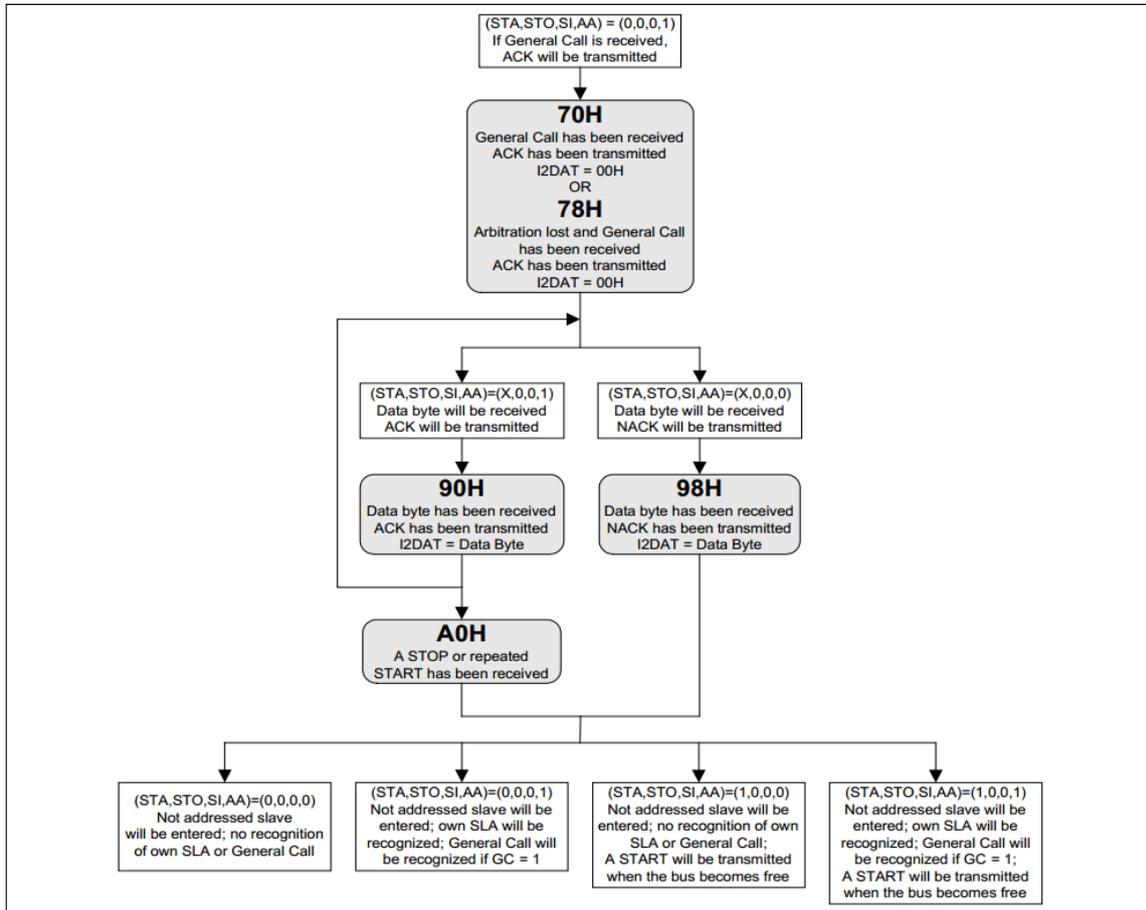


Figure 15-13 Broadcast call mode flow and status

15.8.6 Other status

There have 2 status code different with 24 defined status, that are 0F8H and 00H mentioned above.

The first status code 0F8H indicates no remated information is got during transmission, meanwhile, SI flag is 0 and no IIC interrupt request.

The other status code 00H indicates errors occur during transmission, bus error is generated when START or stop signal appeared at illegal position temporarily, for example the second bit change to 8th bit in address byte, or data byte and reponse bit error on bus, SI is set immediately, when IIC bus error is detected, the device immediately change to no-addressed slave mode, and release SDA and SCL line, set SI flag, load 00H to IICSTA. User want recover from bus error status, STO bit must be set logic 1 and SI must be cleared to 0, then STO is cleared by hardware and release IIC bus when no stop signal.

Special case: if no successful generation of START or repeated start signal, IIC bus is resisted by low level of SDA, for example one slave CPU clock has not synchronization bit, user can send extra clock pulse on SCL to solve the problem. When STA is set, IIC hardware send extra clock pulse, but because SDA is pull down to 0, it can not generate start signal, shen SDA bus is released finally and send a normal START

condition, then enter status 08H, continuous to excute serial transmission. Shen SDA is low, if send repeated start signal, IIC hardware will excute the same operation above. Under this condition, after successfully send start signal, bus will enter status 08H, and not 10H.

Note: software can not solve these kind of bus problem.

15.9 IIC bus registers

15.9.1 IICcontrol register IICCON

Bit	7	6	5	4	3	2	1	0
R/W	R/W	R/W	R/W	R/W	R/W	R/W	R/W	R/W
Reset values	0	0	0	0	0	0	0	0
Flag	CR2	IICEN	STA	STO	SI	AA	CR1	CR0

Bit	Flag	Introductions
7	CR2	IIC communication clock selection bit 2
6	IICEN	IIC module enable bit 0: disable IIC module 1: start up IIC module
5	STA	Start bit 0: Don't send start signal 1: When bus idle generate start signal. When busy, wait stop signal then generate a start signal. In master mode, when IIC prepare transmit or receive one or multi-bytes, set 1 to generate a repeated start signal.
4	STO	Stop bit 0: Don't send stop signal 1: Master mode generates stop signal, when detect stop signal appeared on bus, IIC hardware clear STO flag. STO flag is used to recover IIC device from error status (IICSTA is 00H). Under this condition, no stop is sent on IIC bus. If STA and STO is set 1 all, and in master mode the device is original, IIC bus will generate stop signal followed with a start signal immediately, If the device in slave mode, set STO will return to no-addressed slave, STO will be cleared by hardware.
3	SI	IIC serial interrupt flag 0: no IIC serial interrupt occur 1: Set 1 when generate IIC communication status code except 0F8H, must be cleared 0 by software.
2	AA	Acknowledge flag 0: Respond NACK (SDA is high) 1: Respond ACK (SDA is low)
1	CR1	IIC communication selection bit 1
0	CR0	IIC communication selection bit 0

CR[2:0] IIC communication clock selection bit:

CR2	CR1	CR0	F _{osc}				分频系数	
			6MHz	12 MHz	16 MHz	24 MHz		
0	0	0	23KHz	47KHz	63KHz	92KHz	256	
0	0	1	27KHz	54KHz	71KHz	108KHz	224	
0	1	0	31KHz	63KHz	83KHz	124KHz	192	
0	1	1	37KHz	75KHz	100KHz	148KHz	160	
1	0	0	6.25KHz	12.5KHz	17KHz	25KHz	960	
1	0	1	50KHz	100KHz	133KHz	200KHz	120	
1	1	0	100KHz	200KHz	266KHz	400KHz	60	
1	1	1	T5 overflow rate /8					

15.9.2 IIC state register 状态寄存器 IICSTA

Bit	7	6	5	4	3	2	1	0
R/W	R	R	R	R	R	R	R	R
Reset values	1	1	1	1	1	0	0	0
Flag	IICSTA[7:3]					-		

Bit	Flag	Introductions
7-3	IICSTA[7:3]	IIC status code, total have 26 possible status codes, SI bit can be set except status code 0F8H
2-0	-	Reserved

15.9.3 IIC data register IICDAT

Bit	7	6	5	4	3	2	1	0
R/W	R/W	R/W	R/W	R/W	R/W	R/W	R/W	R/W
Reset values	0	0	0	0	0	0	0	0
Flag	IICDAT[7:0]							

Bit	Flag	Introductions
7:0	IICDAT[7:0]	<p>IIC data</p> <p>IICDAT include one byte will be transmitted or received IIC data just now. only SI = 1, data in IICDAT will maintain, during IIC send/receive, the result to read or write IICDAT are all uncertain.</p> <p>When data in IICDAT is removed, data on bus is updated to IICDAT synchronously. IICDAT shows current last byte on IIC bus. So when lost arbitration, IICDAT original value will be changed after transmission.</p>

15.9.4 IIC address register IICADR

Bit	7	6	5	4	3	2	1	0
R/W	R/W	R/W	R/W	R/W	R/W	R/W	R/W	R/W
Reset values	0	0	0	0	0	0	0	0
Flag	IICADR[7:1]							GC

Bit	Flag	Introductions
7-1	IICADR[7:1]	Slave mode: IIC device slave address itself Master mode: no effect
0	GC	Broadcast call bit 0: Broadcast call is ignored 1: If AA flag is 1, broadcast call is recognized, if AA is 0, it is ignored. Note: the bit is valid in slave mode only, and no effect to master mode. When as slave, and set AA flag, in idle mode, if other master addressing address matches to slave address, and slave will be woken up.

16 Analog to digital converter ADC

16.1 ADC characteristics

- Up to 16 external channels and 2 internal channels (include GND) 12/10 bits ADC detection
- Optional internal reference voltage 2V,3V,4V,VDD and external Vref
- Optional convert data align orientation
- Optional convert data bit
- ADC Conversion complete interrupt
- Support 5 conversion mode: single mode, continuous mode, continuous mode with buffer, single scan mode, continuous scan mode

16.2 ADC registers

16.2.1 ADC control register ADCC0,ADCC1,ADCC2

ADCC0

Bit	7	6	5	4	3	2	1	0
R/W	R/W	R/W	R/W	R	R/W	R/W	R/W	R/W
Reset values	0	0	0	0	0	0	1	1
Flag	ADCEN	ADCST	ADCIF	-	VREFO	VREFS	INREF_S[1:0]	

Bit	Flag	Introductions
7	ADCEN	ADC module power control bit 0 : Close ADC conversion power 1 : Open ADC conversion power Note: 1. ADCEN set 1 or after switch conversion channel, recommended start ADC Conversion after delay some time. 2. In power-down mode, ADCEN force to 0 .
6	ADCST	ADC start control bit 0 : After the conversion is complete, hardware clear 0 automatically, during the conversion, software clear 0 will stop the conversion. 1 : Start conversion Note: ADCIF need to clear 0 before start conversion, when ADCIF equal 1, set ADCST cannot start a new conversion.
5	ADCIF	ADC interrupt flag 0 : No ADC conversion interrupt 1 : After conversion, hardware set 1, can be used for interrupt request (must be software clear 0)
4	-	Reserved (read = 0b, write invalid)
3	VREFO	VREF output enable bit 0 : VREF no output 1 : From P0.7 output VREF. (this moment P0.7 must be set analog input, and VREFS Must be 0)
2	VREFS	VREF selection bit 0 : Select internal VREF 1 : Select external VREF (this moment P0.7 as ADC reference voltage input only, and port must be set analog input)
1-0	INREF_S	ADC internal reference voltage selection bit 00: VDD 01 : Internal 4V 10 : Internal 3V 11 : Internal 2V Note: When the internal Vref selection for 2V, VDD must above 2.7V; selection for

		3/4V, VDD must above the internal Vref+ 0.5V.
--	--	---

ADCC1

Bit	7	6	5	4	3	2	1	0
R/W	R/W	R/W	R	R	R/W	R/W	R/W	R/W
Reset values	0	0	0	0	0	0	0	0
Flag	ICHS[1:0]		-	-	XCHS[3:0]			

Bit	Flag	Introductions
7-6	ICHS[1:0]	ADC internal input channel selection bits 00 : Disable internal channel 01 : 1/4VDD as ADC input channel 10 : Reserved 11 : GND Note: when internal channel selection, external channel selection XCHS[3:0] must be configured to 1111b, otherwise internal and external channel may be opened at the same time.
5-4	-	Reserved (read = 0b, write invalid)
3-0	XCHS[3:0]	ADC external input channel selection bits XCHS[3:0] = x(x = 0,2... 9), x defines the current test channel as AN _x , such as XCHS[3:0] = 3, the current test channel is external channel AN ₃ . Except external channel must be set XCHS[3:0], corresponding Pin need be set analog input.

ADCC2

Bit	7	6	5	4	3	2	1	0
R/W	R/W	R/W	R/W	R/W	R/W	R/W	R/W	R/W
Reset values	0	0	0	0	0	0	0	0
Flag	ADCL	ALIGN	ADCTS [2:0]			ADCS[2:0]		

Bit	Flag	Introductions
7	ADCL	ADC conversion data length control bit 0 : ADC conversion result is 12 bit data 1 : ADC conversion result is 12 bit data (get 12 bits high 10 bits)
6	ALIGN	ADC data alignment direction control bit 0 : ADC conversion results high 8 bits put in ADCRH registers, low 4 bits put in ADCRL register low 4 bits (or low 2 bits) 1 : ADC conversion results high 4 bits (Or high 2 bits)put in ADCRH register low 4bits, low 8 bits put in ADCRL register
5-3	ADCTS [2:0]	When ADC clock is 4MHZ configure the 3bits to 000b, one time conversion needs 22 ADC_CLK When ADC Clock is 2MHZ&1MHZ, configure the 3bits to 001b or 010b, one time conversion needs 19 ADC_CLK When ADC clock <1MHZ, configure the 3bits to 011b/100b/101b/110b/ 111b, one time conversion needs 15 ADC_CLK
2-0	ADCS[2:0]	ADC clock selection bit 000 : F _{osc} /2 001 : F _{osc} /4 010 : F _{osc} /8 011 : F _{osc} /16 100 : F _{osc} /32 101 : F _{osc} /64 110 : F _{osc} /128 111 : F _{osc} /16 (reserved)

16.2.2 ADC conversion result register ADCRL, ADCRH

ADCRL

Bit	7	6	5	4	3	2	1	0
R/W	R/W	R/W	R/W	R/W	R/W	R/W	R/W	R/W
Reset values	0	0	0	0	0	0	0	0
Flag	ADCRL[7:0]							

ADCRH

Bit	7	6	5	4	3	2	1	0
R/W	R/W	R/W	R/W	R/W	R/W	R/W	R/W	R/W
Reset values	0	0	0	0	0	0	0	0
Flag	ADCRH[7:0]							

Bit	Flag	Introductions
7-0	ADCRH[7:0]	When ALIGN = 0 ADCRH[7:0] is ADC conversion high 8 bits, ADCRL[3:0] is ADC conversion of low 4/2 bits
7-0	ADCRL[7:0]	When ALIGN = 1 ADCRH[3:0] is ADC conversion high 4/2 bits, ADCRL[7:0] is ADC conversion of low 8 bits

Start ADC conversion steps:

- (1) Enable ADC module;
- (2) Select analog input channel, voltage reference, conversion clock, conversion result align orientation; ADC conversion mode, etc.
- (3) Set 1 ADCST to start ADC conversion;
- (4) Waiting for ADCST = 0 or ADCIF = 1, if ADC interrupt is enabled, ADC interrupt will be generated, user need to clear ADCIF by software;
- (5) Get conversation data from ADCRH/ADCRL;
- (6) Repeat steps 3-5 to start another conversion.

17 ADC conversion mode

17.1 Description

HC89F0541/0531 ADC module support 5 convertor mode: single mode, continuous mode, continuous mode with buffer, single scan mode, continuous scan mode. By controlling related bits in SCANCON register to configure ADC auto scan mode.

17.2 Conversion mode registers

17.2.1 ADC conversion mode control register SCANCON

Bit	7	6	5	4	3	2	1	0
-----	---	---	---	---	---	---	---	---

R/W	R/W	R/W	R/W	R/W	R/W	R/W	R/W	R/W
Reset values	0	0	0	0	0	0	0	0
Flag	SEL	BUF	CONT	SCAN	SMP	NUM		

Bit	Flag	Introductions
7	SEL	0: ADC is used 1: Reserved, user does not operate
6	BUF	0: single continuous without buffer 1: single continuous with buffer
5	CONT	0: Not continuous 1: Continuous
4	SCAN	0: Disable channel scan 1: Enable channel scan
3	SMP	When enable channel scan, channel sample time selection bit 0: 2 adc_clk cycles; 1: 32 adc_clk cycles
2-0	NUM	When CONT=1, SCAN=0, it is the times of continuous scan. When CONT=x, SCAN=1, it is the channels of continuous scan.

BUF	CONT	SCAN	Function descriptions
x	0	0	Single mode: Setting channels by XCHS[3:0] bits in ADCC1 register to start AD conversion, start up by software, system will generate interrupt when conversion finished, change or don't change channels by software, restart-up next conversion, the result is saved in direct addressing register.
0	1	0	Continuous mode: Setting channels by XCHS[3:0] bits in ADCC1 register to start AD conversion, start up by software, system will generate interrupt when conversion finished, read result by software, and clear the interrupt flag, hardware auto start up next conversion, until user clear CONT or close ADCEN bit n ADCC0 register to stop conversion.
1	1	0	Continuous mode with buffer: Setting channels by XCHS[3:0] bits in ADCC1 register to start AD conversion, start up by software, the conversion results are saved in buffer register sequentially, when conversion finished, hardware start up next conversion, until the times equal NUM, the interrupt is generated, read out data (number = NUM) from buffer, and clear the interrupt flag, hardware auto start up next conversion, until AD conversion stopped after the times equal NUM.
x	0	1	single scan mode: Select the conversion channel by setting SCCH0~3, and select the number of the channels by setting NUM, up to 8 channels are supported one time. When the conversion(channel number = NUM) are finished, interrupt is generated,

			the conversion results are saved in buffer register sequentially, user can read the results of all channels by software, and modify SCCH0~3 value, and restart next conversion cycle. User cannot clear SCAN bit during the conversion, single scan mode can be stopped by clear ADCEN bit in ADCC0 register.
x	1	1	<p>Continuous scan mode:</p> <p>Select the conversion channel by setting SCCH0~3, and select the number of the channels by setting NUM, up to 8 channels are supported one time. When the conversion(channel number = NUM) are finished, interrupt is generated, the conversion results are saved in buffer register sequentially, ser can read the results of all channels by software, and hardware rescan as the channels squence, when scan is finished, interrupt is generated, until user clear CONT or close ADCEN bit in ADCC0 register to stop conversion.</p>

17.2.2 ADC conversion channel configuration register SCCH0~3

SCCH0

Bit	7	6	5	4	3	2	1	0
R/W	R/W	R/W	R/W	R/W	R/W	R/W	R/W	R/W
Reset values	0	0	0	0	0	0	0	0
Flag	SCCH1[3:0]				SCCH0[3:0]			

Bit	Flag	Introductions
7-4	SCCH1[3:0]	Select the second scan channel when in scan mode SCCH1[3:0]=x(x = 0...15), indicates the second channel is ANx, for example SCCH1[3:0]=2, indicates the second channel is AN2
3-0	SCCH0[3:0]	Select the first scan channel when in scan mode SCCH1[3:0]=x(x = 0...15), indicates the first channel is ANx, for example SCCH1[3:0]=3, indicates the first channel is AN3

SCCH1

Bit	7	6	5	4	3	2	1	0
R/W	R/W	R/W	R/W	R/W	R/W	R/W	R/W	R/W
Reset values	0	0	0	0	0	0	0	0
Flag	SCCH3[3:0]				SCCH2[3:0]			

Bit	Flag	Introductions
7-4	SCCH3[3:0]	Select the 4th scan channel when in scan mode SCCH1[3:0]=x(x = 0...15), indicates the 4th channel is ANx, for example SCCH1[3:0]=9, indicates the 4th channel is AN9
3-0	SCCH2[3:0]	Select the third scan channel when in scan mode SCCH1[3:0]=x(x = 0...15), indicates the third channel is ANx, for example SCCH1[3:0]=1, indicates the third channel is AN1

SCCH2

Bit	7	6	5	4	3	2	1	0
R/W	R/W	R/W	R/W	R/W	R/W	R/W	R/W	R/W
Reset values	0	0	0	0	0	0	0	0
Flag	SCCH5[3:0]				SCCH4[3:0]			

Bit	Flag	Introductions
7-4	SCCH5[3:0]	Select the 6th scan channel when in scan mode SCCH1[3:0]=x(x = 0...15), indicates the 6th channel is ANx, for example SCCH1[3:0]=9, indicates the 6th channel is AN9
3-0	SCCH4[3:0]	Select the 5th scan channel when in scan mode SCCH1[3:0]=x(x = 0...15), indicates the 5th channel is ANx, for example SCCH1[3:0]=1, indicates the 5th channel is AN1

SCCH3

Bit	7	6	5	4	3	2	1	0
R/W	R/W	R/W	R/W	R/W	R/W	R/W	R/W	R/W
Reset values	0	0	0	0	0	0	0	0
Flag	SCCH7[3:0]				SCCH6[3:0]			

Bit	Flag	Introductions
7-4	SCCH7[3:0]	Select the 8th scan channel when in scan mode SCCH1[3:0]=x(x = 0...15), indicates the 8th channel is ANx, for example SCCH1[3:0]=8, indicates the 8th channel is AN8
3-0	SCCH6[3:0]	Select the 7th scan channel when in scan mode SCCH1[3:0]=x(x = 0...15), indicates the 7th channel is ANx, for example SCCH1[3:0]=8, indicates the 8th channel is AN8

17.2.3 ADC conversion result buffer register SCRHX, SCRLX (x = 0...7)

Bit	Flag	Introductions
7-0	SCRHX[7:0]	The result high 8 bits
7-0	SCRLX[7:0]	The result low 8 bits

Note: ADC only use 12/10 bits, and controlled by data alignment direction control bit

18 Low voltage detection LVD

18.1 LVD characteristics

Support internal VDD multi-level voltage detection, and can generate an interrupt

Support port voltage detection, and can generate an interrupt or reset

LVD point: 4.2V/3.9V/3.6V/3.0V/2.6V/2.4V/2.0V/1.9V

Same as BOR, the internal voltage detection is used to detect VDD voltage, but independent to BOR, so it can detect multi-level voltage that are above BOR voltage, by register, user can set the voltage point, start/stop work, enable/disable interruptions.

LVD voltage detection circuit has a certain hysteresis, hysteresis voltage equal 0.1V or so. When detection voltage drops to the LVD voltage selected, LVD will generate an interrupt request or reset, then only the detection voltage needed to rise to LVD voltage +0.1V, the LVD interrupt request or reset be removed.

LVD detect the voltage on port P0.2, when the voltage is below 1.2V to detection voltage, set the corresponding flag, if the interrupt enable, an interrupt request is generated, if the interruption disable, port voltage detection will generate reset. Port voltage detection will generate valid interrupt and reset, it can wake up the chip from PD and IDLE mode.

When LVD detecting VDD voltage, no reset occur, but user can wake up chip from PD and IDLE mode by valid interrupt.

18.2 LVD registers

18.2.1 LVD control register LVDC

Bit	7	6	5	4	3	2	1	0
R/W	R/W	R/W	R/W	R	R/W	R/W	R/W	R/W
Reset values	0	0	0	0	0	0	0	0
Flag	LV DEN	LV DS	LV DIE	-	LV DF	LV DV		

Bit	Flag	Introductions
7	LV DEN	LVD enable bit 0 : Disable LVD 1 : Enable LVD
6	LV DS	LVD detect selection bit 0 : Detect VDD Voltage 1 : Detect P0.2 Voltage (1.2V, $\pm 5\%$)
5	LV DIE	LVD interrupt enable bit 0 : Disable LVD interrupt 1 : Enable LVD interrupt Note: when disable interrupt, as long as detection enabled, LVDF can also be set 1, but even if EA is set to 1 at this time, no interrupt request is generated. When LVDS is 1, detect P0.2 port voltage: LV DIE=0 : port voltage detection reset LV DIE=1 : port voltage detection interrupt
4	-	Reserved bit
3	LV DF	Low-voltage detection flag 0 : Must software clear 0 1 : When VDD voltage is lower than detection voltage, hardware set 1, also as interrupt request Note: When VDD voltage below detection voltage, the time is more than the debouncing time set in LVDDBC register, LVDF will be set; VDD is higher than detection voltage, LVDF do not automatically clear, the bit must be software clear, only VDD is higher than detection voltage continuously, software clear is valid, if VDD is lower than detection voltage continuously, software is unable to clear

		LVDF.
2-0	LVDV[2:0]	VDD voltage detection voltage selection bit 000 : 1.9V 001 : 2.0V 010 : 2.4V 011 : 2.6V 100 : 3.0V 101 : 3.6V 110 : 3.9V 111 : 4.2V Note: Only setting LVD detection voltage above BOR voltages is valid.

18.2.2 LVD debouncing control register LVDDBC

Bit	7	6	5	4	3	2	1	0
R/W	R/W	R/W	R/W	R/W	R/W	R/W	R/W	R/W
Reset values	0	0	0	0	0	0	0	0
Flag	LVDDBC[7:0]							

Bit	Flag	Introductions
7-0	LVDDBC[7:0]	LVD debouncing control bit Debouncing time = LVDDBC[7:0] * 8T _{CPU} + 2T _{CPU}

Note: In power-down and idle mode automatically turns off, and opens automatically when exit the power-down and idle mode.

19 Software LCD

19.1 LCD characteristics

- Support 1/2Bias and 1/3Bias LCD lattice
- Drive capability configurable
- COM port and SEG port number configurable arbitrarily
- LCD control signals (COM and SEG) are implemented by software
- When enable LCD drive operation, don't need to configure port mode register

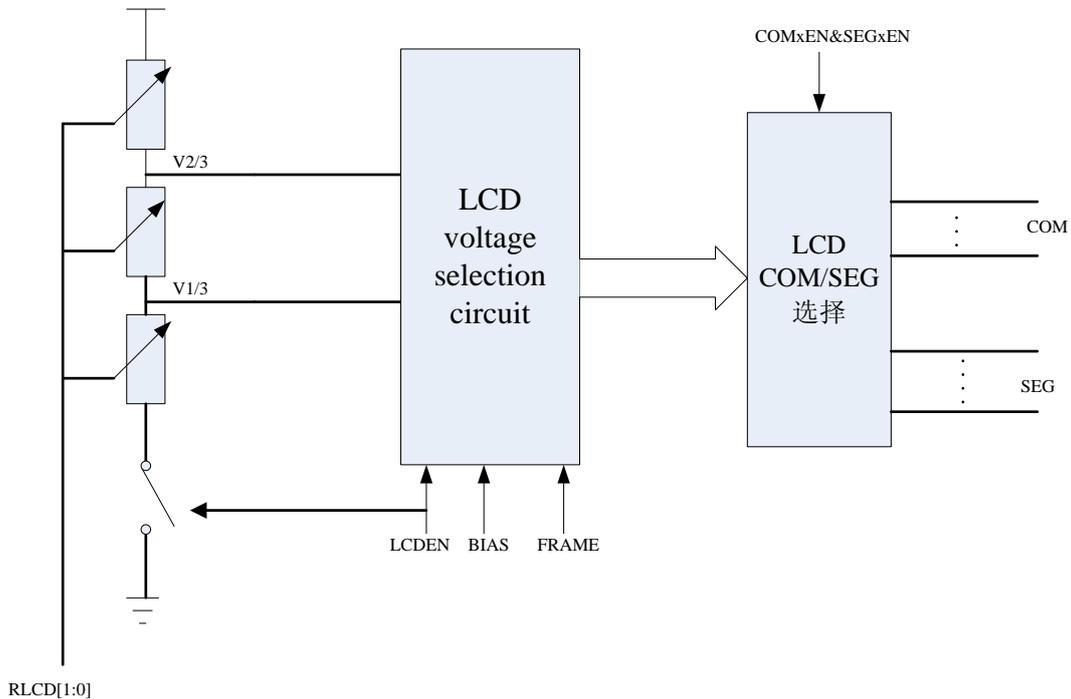


Figure 19-1 LCD system diagram

19.2 Software flow description

- 1 Set LCD main enable, LCDEN=1, it is main enable, open resistance volatge divider circuit.
- 2 Set drive capability, select different resistance volatge divider (RLCD[1:0]);
- 3 Set COM port enable control register or SEG port enable control register, COMxENy=1, SEGxENy=1, it is setting some IO state, and enable analog channel of LCD (next select 4 COM port as example);
- 4 Set frame0 (FRAME=0) to decide lighten or not lighten level;
- 5 Set Timer to start, set COM port data register=0001, set SEG port data register=XXX, wait Timer end;
- 6 Set Timer to start, set COM port data register=0010, set SEG port data register=XXX, wait Timer end;
- 7 Set Timer to start, set COM port data register=0100, set SEG port data register=XXX, wait Timer end;

- 8 Set Timer to start, set COM port data register=1000, set SEG port data register=XXX, wait Timer end;
- 9 Set frame1 (FRAME=1) to decide lighten or not lighten level;
- 10 Set Timer to start, set COM port data register=0001, set SEG port data register=XXX, wait Timer end;
- 11 Set Timer to start, set COM port data register=0010, set SEG port data register=XXX, wait Timer end;
- 12 Set Timer to start, set COM port data register=0100, set SEG port data register=XXX, wait Timer end;
- 13 Set Timer to start, set COM port data register=1000, set SEG port data register=XXX, wait Timer end;
- 14 loop 4-13.

19.3 LCD frame

One complete LCD waveform include 2 Frame, as Fram0 and Fram1.

Frame 0

When user want to output Frame0 waveform, need to clear FRAME bit to 0 in LCDCON register.

In Fram0, COM signal output is VDD or VBIAS=1/3VDD (1/2VDD);

In Fram0, SEG signal output is GND or VBIAS=2/3VDD (1/2VDD) ;

Frame 1

When user want to output Frame1 waveform, need to set FRAME bit to 1 in LCDCON register.

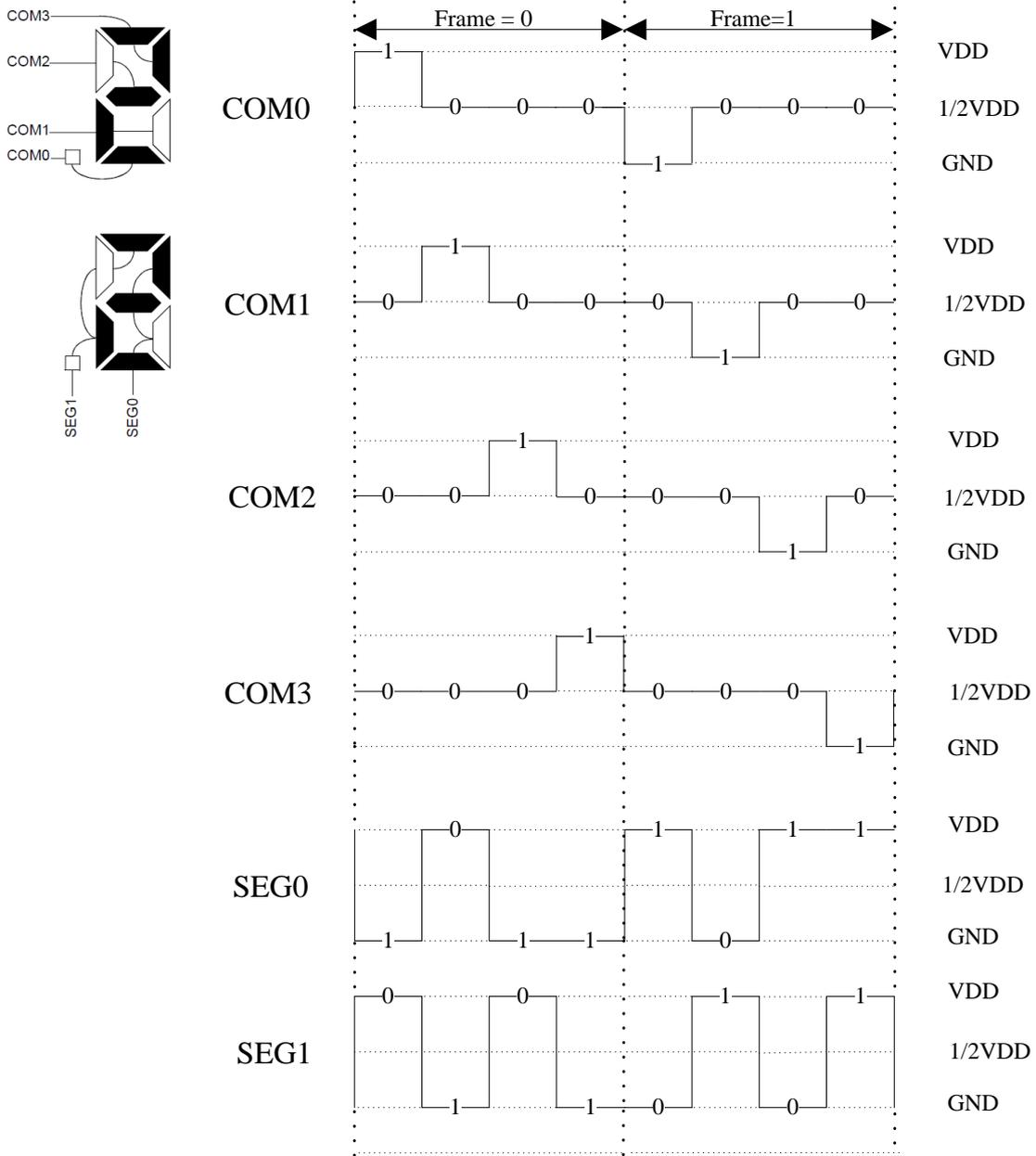
In Fram1, COM signal output is GND or VBIAS=2/3VDD (1/2VDD);

In Fram1, SEG signal output is VDD or VBIAS=1/3VDD (1/2VDD) ;

By software setting FRAME bit and related IO data registers to decide the current output of COM port is VDD, GND or VBIAS. By software setting FRAME bit and related IO data registers to decide the current output of SEG port is VDD, GND or VBIAS(SEG only output VDD or GND at 1/2bias).

Below waveform shows a typical 1/2Bias LCD waveform generated by user application program. And “1” indicates lighten LCD, COM and SEG signal polarity (0 or 1) generated on COMn and SEGm Pins are produced by related port data register bits.

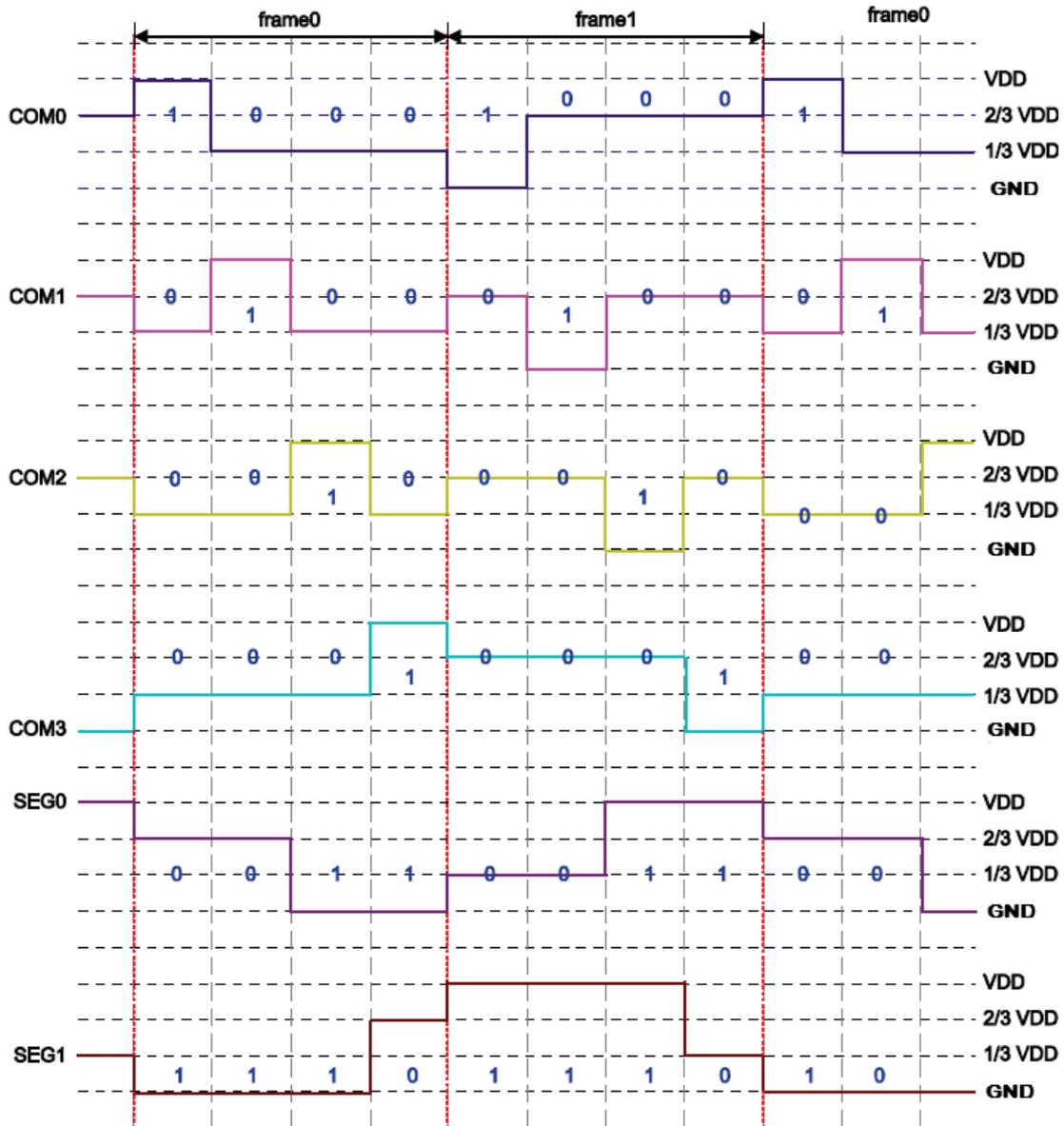
1/2Bias, 1/4Duty



Note: In the graph, logic value is COM or SEG is corresponding with the bit value of port data register.

Figure 19-2 1/2bias LCD waveform graph

Below waveform shows a typical 1/3Bias LCD waveform generated by user application program. And “1” indicates lighten LCD, COM and SEG signal polarity (0 or 1) generated on COMn and SEGm Pins are produced by related port data register bits.



Note: In the graph, logic value is COM or SEG is corresponding with the bit value of port data register.

Figure 19-3 1/3bias LCD waveform graph

19.4 LCD registers

19.4.1 LCD control register LCDCON

Bit	7	6	5	4	3	2	1	0
R/W	R/W	R/W	R/W	R/W	R/W	R	R	R
Reset values	0	0	0	0	0	0	0	0
Flag	LCDEN	RLCD1	RLCD0	FRAME	BIAS	-		

Bit	Flag	Introductions
7	LCDEN	Software LCD enable control bit 0: Disable 1: Enable
6-5	RLCD[1:0]	Software LCD resistance selection bit 00: 600kΩ 01: 300kΩ 10: 100kΩ 11: 50kΩ
4	FRAME	Frame0 or Frame1 output enable bit 0: Frame0 1: Frame1
3	BIAS	LCD bias voltage selection bit 0: 1/2bias 1: 1/3bias
2-0	-	Reserved

19.4.2 COM port enable control register COMP0EN-COMP3EN

Bit	7	6	5	4	3	2	1	0
R/W	W	W	W	W	W	W	W	W
Reset values	0	0	0	0	0	0	0	0
Flag	COMPxEN[7:0]							

Bit	Flag	Introductions
7-0	COMPxENy	Software LCD COM function enable bit 0: Disable, standard IO 1: Enable Note: x = 0~3 y = 0-7

Note: COMPxENy[7:0] register is written only

19.4.3 SEG port enable control register SEGPOEN-SEGP3EN

Bit	7	6	5	4	3	2	1	0
R/W	W	W	W	W	W	W	W	W
Reset values	0	0	0	0	0	0	0	0
Flag	SEGxEN[7:0]							

Bit	Flag	Introductions
7-0	SEGPxENy	Software LCD SEG function enable bit 0: Disable, standard IO 1: Enable Note: x = 0~3 y = 0-7

Note: SEGPxENy [7:0] register is written only

20 Cyclic redundancy check CRC

20.1 CRC characteristics

- 16 bit CRC
- CRC check compliance with CRC-CCITT polynomials, that is 0x1021
- The initial value can be set 0x0000 or 0xFFFF
- Calculation and results share the same registers

Every write to data register CRCL, the calculated result is a previous CRC results combination of the new results.

Each time the read data from register [CRCH: CRCL], its value is the last CRC calculation results.

User can set CRCRSV bit of register CRCC to select initial calculation value, but not effects the CRC calculating data, only set CRCRST bit of register CRCC can reset CRC calculator, then write data will use new initial value to calculate CRC results.

20.2 CRC registers

20.2.1 CRC control register CRCC

Bit	7	6	5	4	3	2	1	0
R/W	R	R	R	R	R	R/W	R/W	W
Reset values	0	0	0	0	0	0	0	0
Flag	-					CRCBIT	CRCRSV	CRCRST

Bit	Flag	Introductions
7-3	-	Reserved (read as 0, write invalid)
2	CRCBIT	CRC BIT flip control bits 0 : MSB first 1 : LSB first
1	CRCRSV	CRC reset initial value selection bit 0 : reset initial value as 0x0000 1 : reset initial value as 0xFFFF
0	CRCRST	CRC calculator reset control bit Set 1 reset CRC calculator, hardware clear 0 automatically

20.2.2 CRC data register CRCL, CRCH

CRCL

Bit	7	6	5	4	3	2	1	0
R/W	R/W	R/W	R/W	R/W	R/W	R/W	R/W	R/W
Reset values	0	0	0	0	0	0	0	0
Flag	CRCL[7:0]							

Bit	Flag	Introductions
7-0	CRCL[7:0]	As CRC calculator input data when write data As low bytes of CRC result when read data Note: when write data, start CRC calculated automatically, then close automatically when finished.

CRCH

Bit	7	6	5	4	3	2	1	0
R/W	R	R	R	R	R	R	R	R
Reset values	0	0	0	0	0	0	0	0
Flag	CRCH[7:0]							

Bit	Flag	Introductions
7-0	CRCH[7:0]	Write data to the register is invalid As high bytes of CRC result when read data

Note: every time write data to be calculated, the calculation results are generated by common with previous results together.

21 Code options

1. External reset enable

- P2.4 as external reset Pin (default). When the port as external reset Pin, it cannot as a normal I/O.
- P2.4 as normal IO Pin

2. Wait time after reset

- 0: 8ms (default)
- 1: 4ms
- 2: 1ms
- 3: 16ms

3. BOR voltage point selection

- 0: 1.8V (default)
- 1: 2.0V
- 2: 2.4V
- 3: 2.6V
- 4: 3.0V
- 5: 3.6V
- 6: 3.9V
- 7: 4.2V

4. The second reset vector configuration

User can define the startup code address by the configuration, configuration values must be 1K bytes as a unit, so the second reset vector address lower 10 bits must be zero, the second reset vector is disabled default.

22 Electrical characteristics

22.1 Limit parameter

Parameter	Symbol	Min	Typical	Max	unit
DC power supply voltage	VDD	-0.3	-	+ 6.0	V
Input/output voltage	V _I /V _O	GND-0.3	-	VDD+0.3	V
Operating environment temperature	T _{OTG}	-40	-	+85	°C
Storage temperature	T _{STG}	-55	-	+125	°C

Note: (1) Maximum current through VDD <100mA @25 °C VDD=5V.

(2) Maximum current through GND <150mA @25 °C VDD=5V.

22.2 DC characteristics

Parameter	Symbol	Condition (VDD=5V)	Min	Typical	Max	Unit
Operating voltage	VDD	F _{CPU} =16MHz 44KHz, ADC module closed	2.0	5.0	5.5	V
Operating current	I _{OP1}	F _{OSC} =32MHz, F _{CPU} =16MHz, No load, no floating input pins, execute NOP instructions, close the other modules	-	4.8	-	mA
		F _{OSC} =32MHz, F _{CPU} =8MHz, No load, no floating input pins, execute NOP instructions, close the other modules	-	3.5	-	
		F _{OSC} =32MHz, F _{CPU} =4MHz, No load, no floating input pins, execute NOP instructions, close the other modules	-	3.0	-	
		F _{OSC} =32MHz, F _{CPU} =2MHz, No load, no floating input pins, execute NOP Instructions, close the other modules	-	2.5	-	
		F _{OSC} =32MHz, F _{CPU} =1MHz, No load, no floating input pins, execute NOP Instructions, close the other modules	-	2.4	-	
		F _{OSC} =32MHz, F _{CPU} =500KHz, No load, no floating input pins, execute NOP Instructions, close the other modules	-	2.3	-	
		F _{OSC} =16MHz, F _{CPU} =16MHz, No load, no floating input pins, execute NOP instructions, close the other modules		3.7		
		F _{OSC} =16MHz, F _{CPU} =8MHz, No load, no floating input pins, execute NOP instructions, close the other modules		2.6		
		F _{OSC} =16MHz, F _{CPU} =4MHz, No load, no floating input pins, execute NOP instructions, close the other modules		2.0		
		F _{OSC} =16MHz, F _{CPU} =2MHz, No load, no floating input pins, execute NOP Instructions, close the other modules		1.7		
		F _{OSC} =16MHz, F _{CPU} =1MHz, No load, no floating input pins, execute NOP Instructions, close the other modules		1.5		
		F _{OSC} =16MHz, F _{CPU} =500KHz, No load, no floating input pins, execute NOP Instructions, close the other modules		1.4		
		F _{OSC} =8MHz, F _{CPU} =8MHz, No load, no		2.2		

		floating input pins, execute NOP instructions, close the other modules				
		F _{OSC} =8MHz, F _{CPU} =4MHz, No load, no floating input pins, execute NOP instructions, close the other modules		1.5		
		F _{OSC} =8MHz, F _{CPU} =2MHz, No load, no floating input pins, execute NOP Instructions, close the other modules		1.2		
		F _{OSC} =8MHz, F _{CPU} =1MHz, No load, no floating input pins, execute NOP Instructions, close the other modules		1.0		
		F _{OSC} =8MHz, F _{CPU} =500KHz, No load, no floating input pins, execute NOP Instructions, close the other modules		0.9		
		F _{OSC} =4MHz, F _{CPU} =4MHz, No load, no floating input pins, execute NOP instructions, close the other modules		1.3		
		F _{OSC} =4MHz, F _{CPU} =2MHz, No load, no floating input pins, execute NOP Instructions, close the other modules		1.0		
		F _{OSC} =4MHz, F _{CPU} =1MHz, No load, no floating input pins, execute NOP Instructions, close the other modules		0.8		
		F _{OSC} =4MHz, F _{CPU} =500KHz, No load, no floating input pins, execute NOP Instructions, close the other modules		0.7		
	I _{OP2}	F _{OSC} =44KHz, No load, no floating input pins, execute NOP Instructions, close the other modules	-	123	-	μA
	I _{PD}	Enter the power-down mode, no load, no floating input pins, close all modules	-	7.0	-	μA
	I _{IDLE1}	F _{OSC} =32MHz, Enter the idle mode, no load, no floating input pins, close all modules	-	2.4	-	mA
	I _{IDLE2}	F _{OSC} =16MHz, Enter the idle mode, no load, no floating input pins, close all modules	-	1.4	-	mA
	I _{IDLE3}	F _{OSC} =8MHz, Enter the idle mode, no load, no floating input pins, close all modules	-	0.9	-	mA
	I _{IDLE4}	F _{OSC} =4MHz, Enter the idle mode, no load, no floating input pins, close all modules	-	0.6	-	mA
	I _{IDLE5}	F _{OSC} =44KHz, Enter the idle mode, no load, no floating input pins, all closed, internal high-frequency RC Clock close	-	85	-	μA
power-down Timer interrupt wakeup current	I _{PW}	F _{CPU} =16MHz, close the BOR, TIMER3 count clock source select external low-frequency crystal oscillator, the system enter power-down mode, the average current with TIMER3 timing 1S interrupts to wake up the system	-	12	-	μA
WDT current	I _{WDT}	VDD = 5V	-	2.0	-	μA
LVD current	I _{LVD}	VDD = 5V	-	8.0	-	μA
BOR current	I _{BOR}	VDD = 5V	-	8.0	-	μA
Input low voltage 1	V _{IL1}	I/O port non-Schmitt input	GND	-	0.3*VDD	V
Input high voltage 1	V _{IH1}	I/O port non-Schmitt input	0.7*VDD	-	VDD	V
Input low voltage 2	V _{IL2}	I/O port Schmitt input	GND	-	0.2*VDD	V
Input high voltage 2	V _{IH2}	I/O port Schmitt input	0.8*VDD	-	VDD	V

Input leakage current	I_{ILC}	I/O port input mode, $V_{IN} = VDD$ OR GND	-1	0	1	μA
output leakage current	I_{OLC}	I/O port output mode $V_{OUT} = VDD$ OR GND	-1	0	1	μA
Sink current 1	I_{OL1}	$V_{out}=0.1VDD$ (DREN=00)	-	70	-	mA
Sink current 2	I_{OL2}	$V_{out}=0.1VDD$ (DREN=01)	-	28		
Sink current 3	I_{OL3}	$V_{out}=0.1VDD$ (DREN=10)	-	15		
Sink current 4	I_{OL4}	$V_{out}=0.1VDD$ (DREN=11)	-	7		
Source current 1	I_{OH1}	$V_{out}=0.9VDD$ (DREN=00)	-	20		
Source current 2	I_{OH2}	$V_{out}=0.9VDD$ (DREN=01)	-	10		
Source current 3	I_{OH3}	$V_{out}=0.9VDD$ (DREN=10)	-	7		
Source current 4	I_{OH4}	$V_{out}=0.9VDD$ (DREN=11)	-	4	-	
Pull-down resistance	R_{PU}	$V_{IN}=GND$	-	50	-	k Ω
Pull-up resistance	R_{PD}	$V_{IN}=VDD$	-	50	-	
RAM maintain voltage	V_{RAM}	-	-	0.7	-	V

Note: Subject to general operating conditions for $VDD=5.0V$ $GND=0V$, 25 °C unless otherwise specified.

22.3 AC characteristics

Parameter	Symbol	Conditions	Min	Typical	Max	Unit
Internal RC 32M startup time	Tset1	room temperature, $VDD=5V$	-	-	5	μs
External high-frequency oscillator startup time	Tset3	16MHz, room temperature, $VDD=5V$	-	200	-	μs
high-frequency oscillator work voltage	Vset3	16MHz	2.5	-	5.5	V
External low-frequency oscillator startup time	Tset4	room temperature, $VDD=5V$	-	2	-	s
Internal RC 44K startup time	Tset2	room temperature, $VDD=5V$	-	-	150	μs
Frequency accuracy	FIRC1	$VDD=2V\sim 5.5V$, 25 °C	32 (1-1%)	32	32 (1+1%)	MHz
	FIRC2	$VDD=5.0V$, -40 °C ~+85 °C	32 (1-1%)	32	32 (1+1%)	MHz
	FWRC	-	31	44	58	KHz

22.4 ADC characteristics

Parameter	Symbol	Conditions	Min	Typical	Max	Unit
power supply voltage	VAD	-	2.7	5.0	5.5	V
Precision	NR	$GND \leq V_{AIN} \leq V_{ref}$	-	10	12	bit
ADC input voltage	VAIN	-	GND	-	V_{ref}	V
ADC input resistance	RAIN	$V_{AIN}=5V$	2	-	-	M Ω
Analog voltage sources recommended impedance	ZAIN	-	-	-	10	k Ω

ADC switching current	IAD	ADC module opened, VDD=5.0V	-	0.6	1	mA
ADC input current	IADIN	VDD=5.0V	-	-	10	μA
Differential nonlinearity error	DLE	VDD=5.0V	-	-	±2	LSB
Integral nonlinearity error (1MHz switching frequency)	ILE	VDD=5.0V, Vref =2V	-	-	-5~2	LSB
		VDD=5.0V, Vref =3V	-	-	-4~2	
		VDD=5.0V, Vref =4V	-	-	-3~2	
		VDD=5.0V, Vref =VDD	-	-	±2	
Full scale error	EF	VDD=5.0V	-	-	±5	LSB
Offset error	EZ	VDD=5.0V	-	-	±3	LSB
Total error	EAD	VDD=5.0V	-	-	±5	LSB
Total conversion time	TCON	VDD=5.0V	10	-	-	μs
Internal reference voltage	VADREF	±1%,room temperature	-	2	-	V

22.5 BOR detection voltage characteristics

Parameter	Symbol	Condition	Min	Typ	Max	Unit
BOR Set voltage 1	VBOR1	BOR is enabled, VDD=2V~5.5V	1.7	1.8	1.9	V
BOR Set voltage 2	VBOR2		1.9	2.0	2.1	V
BOR Set voltage 3	VBOR3		2.3	2.4	2.5	V
BOR Set voltage 4	VBOR4		2.5	2.6	2.7	V
BOR Set voltage 5	VBOR5		2.9	3.0	3.1	V
BOR Set voltage 6	VBOR6		3.5	3.6	3.7	V
BOR Set voltage 7	VBOR7		3.8	3.9	4.0	V
BOR Set voltage 8	VBOR8		4.1	4.2	4.3	V

22.6 LVD/PLVD detection voltage characteristics

Parameter	Symbol	Condition	Min	Typ	Max	Unit
LVD Set voltage 0	VPLVD	LVD is enabled, VDD=2V~5.5V	-	1.2	-	V
LVD Set voltage 1	VLVD1		1.8	1.9	2.0	V
LVD Set voltage 2	VLVD2		1.9	2.0	2.1	V
LVD Set voltage 3	VLVD3		2.3	2.4	2.5	V
LVD Set voltage 4	VLVD4		2.5	2.6	2.7	V
LVD Set voltage 5	VLVD5		2.9	3.0	3.1	V
LVD Set voltage 6	VLVD6		3.5	3.6	3.7	V
LVD Set voltage 7	VLVD7		3.8	3.9	4.0	V
LVD Set voltage 8	VLVD8	4.1	4.2	4.3	V	

22.7 LCD characteristics

Parameter	Symbol	Condition	Min	Typ	Max	Unit
Bias voltage resistance	RBIAS	VDD=5V	-	50	-	kΩ

			-	100	-	k Ω
			-	300	-	k Ω
			-	600	-	k Ω
Output 1/3 bias voltage	V _{COM1}	2-5V	-5%	1/3VDD	+5%	V
Output 2/3 bias voltage	V _{COM2}	2-5V	-5%	2/3VDD	+5%	V
Output 1/2 bias voltage	V _{COM3}	2-5V	-5%	1/2VDD	+5%	V

22.8 Frequency - calibration value curve

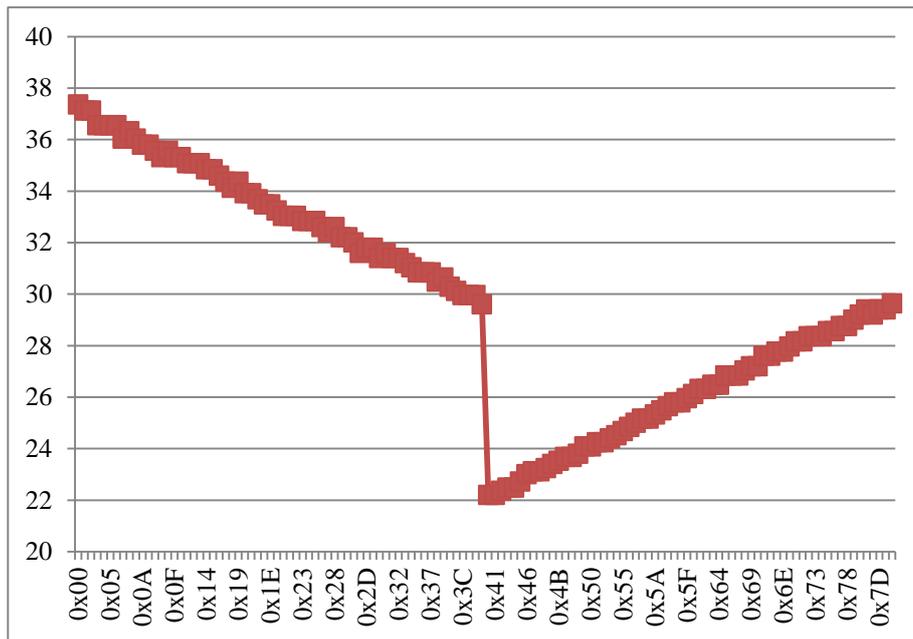


Figure 22-1 Frequency - calibration value curve

22.9 Other electrical characteristics

- 1, ESD (HBM): CLASS 3A ($\geq 4000V$)
- 2, ESD (MM): CLASS 2 ($\geq 200V$)
- 3, Latch_up : CLASS I (200mA)

23 Development tools

23.1 Emulator characteristics

HC89F0541/0531 use HC-51LINK/HC-LINK emulator to program download and simulation, By JTAG Interface emulator implement the enhanced 8051 MCU of Holychip program download simulation. About the emulator, please refer the emulator's user manual.

Emulator characteristics

- Support Keil C51 integration build environment (uVision2.34 and above Ver.)
- Support all Holychip 8051 MCU
- Support FLASH erase, program and verify
- Support encryption bit and code option program
- Get power from USB directly, no external power supply

23.2 Programmer tools

HC-PM51 is Holychip new programmer for mass production, supports the program of all the enhanced 8051 MCU of Holychip. About the programmer, please refer the HC-PM51's user manual.

Programmer characteristics:

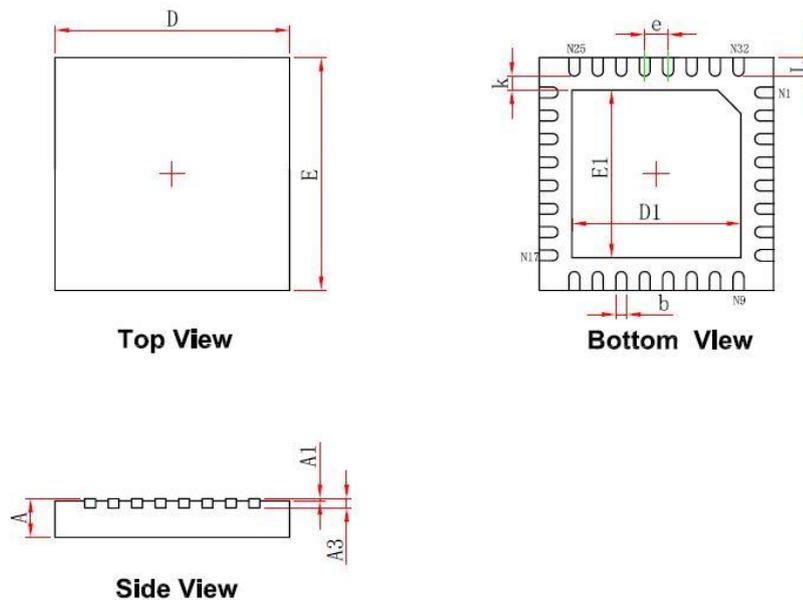
- USB port connection
- Support signal channel off-line programming

23.3 Software download

Software downloads address: <http://www.holychip.cn>

24 Package

24.1 QFN32



Symbol	Dimensions In Millimeters		Dimensions In Inches	
	Min.	Max.	Min.	Max.
A	0.700/0.800	0.800/0.900	0.028/0.031	0.031/0.035
A1	0.000	0.050	0.000	0.002
A3	0.203REF.		0.008REF.	
D	4.924	5.076	0.194	0.200
E	4.924	5.076	0.194	0.200
D1	3.300	3.500	0.130	0.138
E1	3.300	3.500	0.130	0.138
k	0.200MIN.		0.008MIN.	
b	0.200	0.300	0.008	0.012
e	0.500TYP.		0.020TYP.	
L	0.324	0.476	0.013	0.019

Figure 24-1 QFN32 package size

24.2 LQFP32

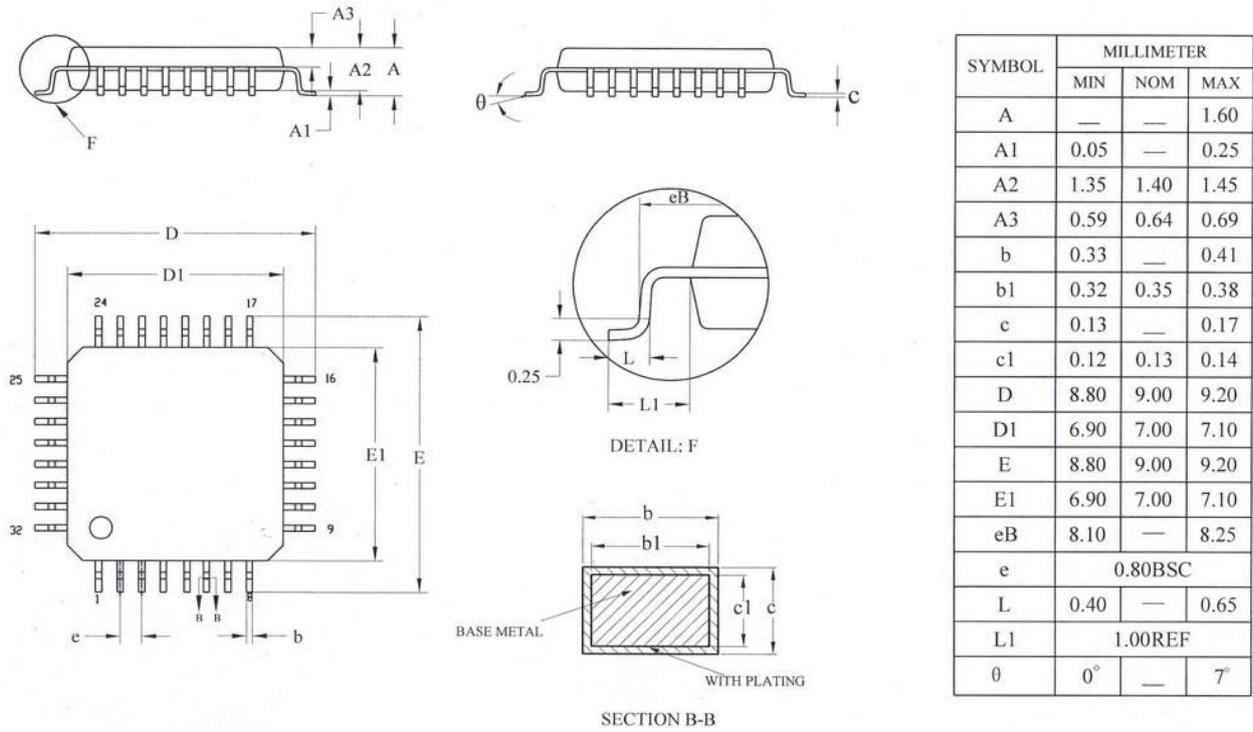


Figure 24-2 LQFP32 package size

24.3 SOP28

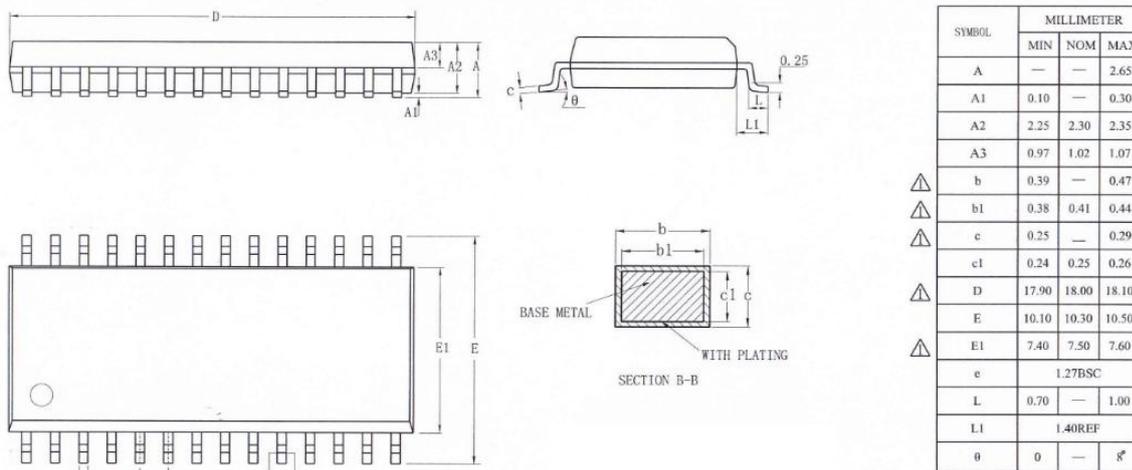


Figure 24-3 SOP28 package size

24.4 SOP20

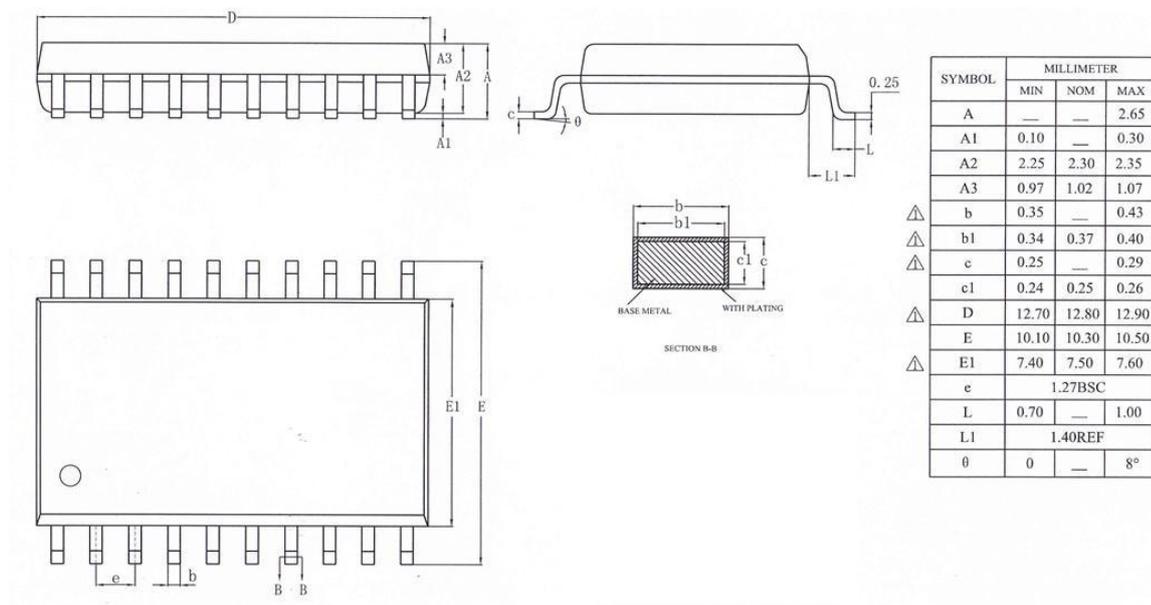


Figure 24-4 SOP20 package size

25 Reversion history

Document revision history

Version	Date	Description
Ver1.00	2017-09-27	First version
Ver1.01	2018-02-27	<ol style="list-style-type: none">1. Added 1.5 chapter, Peripheral function Ports total mapping module2. Added double line use attention descriptions3. Added double line mode descriptions4. Added LQFP32/QFN32 package5. Translate from Chinese to English version

IMPORTANT NOTICE – PLEASE READ CAREFULLY

Holychip reserves the right to make change without further notice to any products herein to improve reliability, function or design. Holychip does not assume any liability arising out of the application or use of any product or circuit described herein; neither does it convey any license under its patent rights nor the rights of others. Holychip products are not designed, intended, or authorized for us as components in system intended, for surgical implant into the body, or other applications intended to support or sustain life, or for any other application in which the failure of the Holychip product could create a situation where personal injury or death may occur. Should Buyer purchase or use Holychip products for any such unintended or unauthorized application. Buyer shall indemnify and hold Holychip and its officers, employees, subsidiaries, affiliates and distributors harmless against all claims, cost, damages, and expenses, and reasonable attorney fees arising out of, directly or indirectly, any claim of personal injury or death associated with such unintended or unauthorized use even if such claim alleges that Holychip was negligent regarding the design or manufacture of the part.

Holychip