

2A, 23V, 1.4MHz Step-Down Converter



General Description

The FP6186 is a buck regulator with a built-in internal power MOSFET. It can provide 2A continuous output current over a wide input supply range with excellent load and line regulation. Current mode operation provides fast transient response and eases loop stabilization. This device includes cycle-by-cycle current limiting and thermal shutdown protection. Adjustable soft-start reduces the stress on the input source at power-on. The regulator only consumes 25 μ A supply current in shutdown mode. The FP6186 requires a minimum number of readily available external components to complete a 2A buck regulator solution.

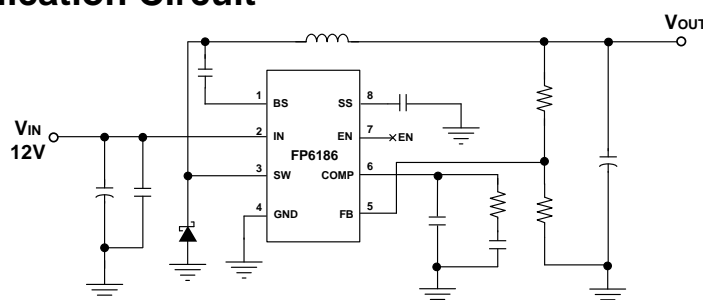
Features

- 2A Output Current
- Adjustable Soft-Start
- 0.2 Ω Internal High Side Power MOSFET Switch
- Stable with Low ESR Output Ceramic Capacitors
- Up to 90% Efficiency
- 25 μ A Shutdown Mode Current
- Fixed 1.4MHz Frequency
- Thermal Shutdown
- Cycle-by-Cycle Over Current Protection
- Wide 4.75 to 23V Operating Input Range
- Output Adjustable From 0.92 to 16V
- Available MSOP-10L (EP) & SOP-8L (EP) Package
- Under Voltage Lockout

Applications

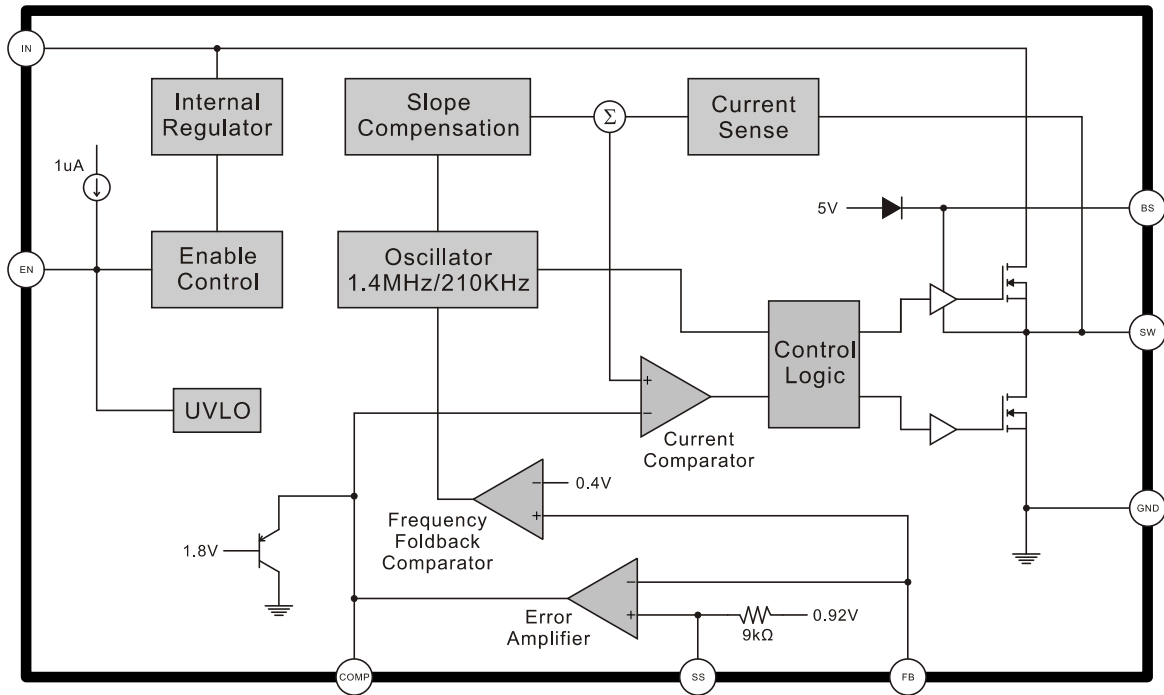
- Distributed Power Systems
- Battery Charger
- Pre-Regulator for Linear Regulators
- DSL Modems

Typical Application Circuit



This datasheet contains new product information. Feeling Technology reserves the rights to modify the product specification without notice. No liability is assumed as a result of the use of this product. No rights under any patent accompany the sales of the product.

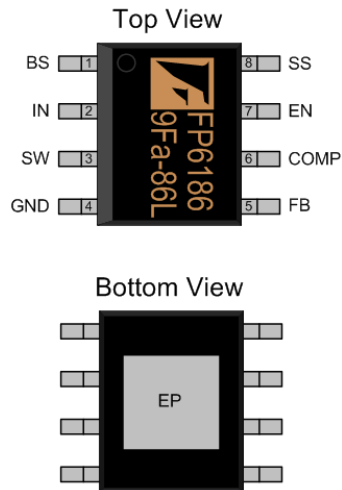
Function Block Diagram



This datasheet contains new product information. Feeling Technology reserves the rights to modify the product specification without notice. No liability is assumed as a result of the use of this product. No rights under any patent accompany the sales of the product.

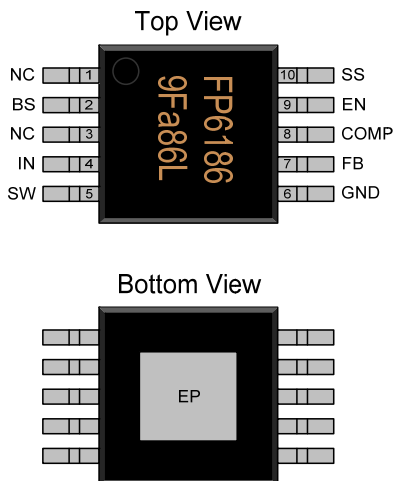
Pin Descriptions

SOP-8L (EP)



Name	No.	I / O	Description
BS	1	O	Bootstrap
IN	2	P	Supply Voltage
SW	3	O	Switch
GND	4	P	IC Ground
FB	5	I	Error Amplifier Compensation Output
COMP	6	O	Compensation
EN	7	I	Enable / UVLO
SS	8	O	Programmable Soft Start
EP	9	P	Exposed PAD - Must connect to Ground

MSOP-10L (EP)

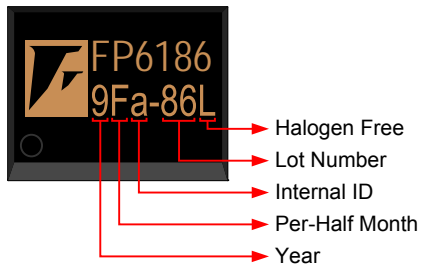


Name	No.	I / O	Description
NC	1		No Connect
BS	2	O	Bootstrap
NC	3		No Connect
IN	4	P	Supply Voltage
SW	5	O	Switch
GND	6	P	IC Ground
FB	7	I	Error Amplifier Compensation Output
COMP	8	O	Compensation
EN	9	I	Enable / UVLO
SS	10	O	Programmable Soft Start
EP	11	P	Exposed PAD - Must connect to Ground

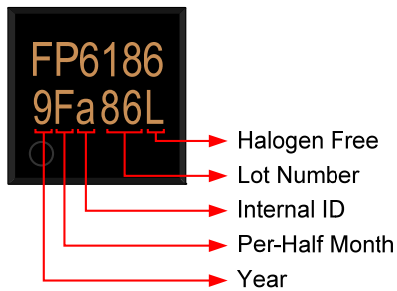
This datasheet contains new product information. Feeling Technology reserves the rights to modify the product specification without notice. No liability is assumed as a result of the use of this product. No rights under any patent accompany the sales of the product.

Marking Information

SOP-8L (EP)



MSOP-10L (EP)



Halogen Free: Halogen free product indicator

Lot Number: Wafer lot number's last two digits

For Example: 132386TB → 86

Internal ID: Internal Identification Code

Per-Half Month: Production period indicated in half month time unit

For Example: January → A (Front Half Month), B (Last Half Month)

February → C (Front Half Month), D (Last Half Month)

Year: Production year's last digit

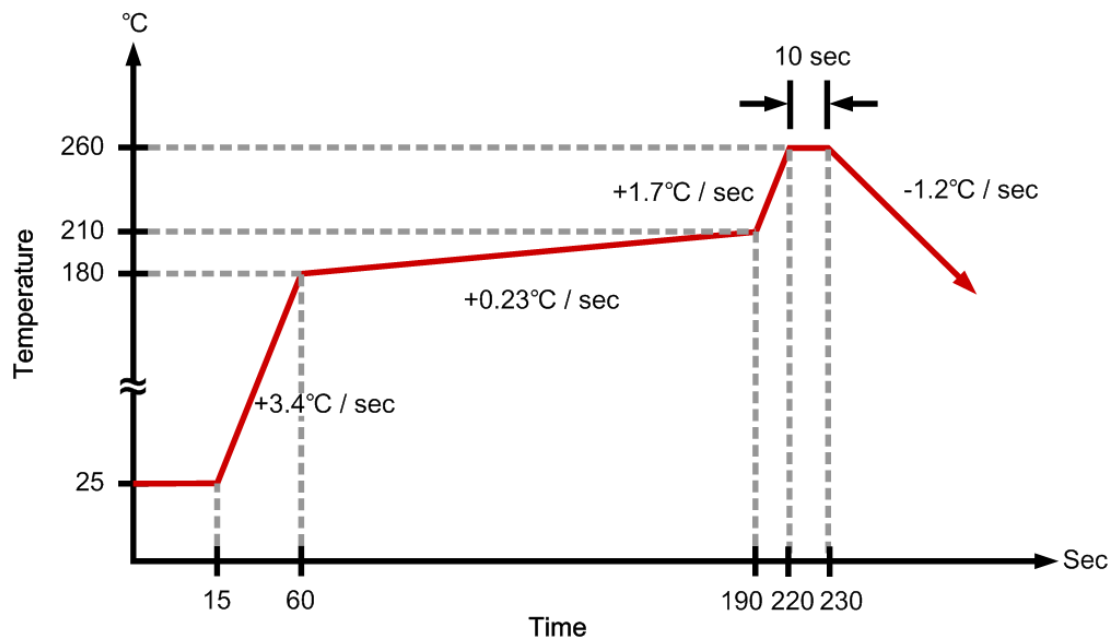
Ordering Information

Part Number	Operating Temperature	Package	MOQ	Description
FP6186gR-G1	-40°C ~ +85°C	MSOP-10L (EP)	3000EA	Tape & Reel
FP6186XR-G1	-40°C ~ +85°C	SOP-8L (EP)	2500EA	Tape & Reel

Absolute Maximum Ratings

Parameter	Symbol	Conditions	Min.	Typ.	Max.	Unit
Supply Voltage	V_{IN}		-0.3		24	V
Supply Voltage	V_{sw}		-1		$V_{IN} + 0.3$	V
Bootstrap Voltage	V_{BS}		$V_{sw} - 0.3$		$V_{sw} + 6$	V
All Other Pins			-0.3		6	V
Junction Temperature	T_J				+150	°C
Storage Temperature	T_S		-65		+150	°C
Thermal Resistance	θ_{JA}	SOP-8L (EP)			+60	°C / W
		MSOP-10L (EP)			+105	°C / W
	θ_{JC}	SOP-8L (EP)			+10	°C / W
		MSOP-10L (EP)			+19	°C / W
Operating temperature			-40		+85	°C
Lead Temperature (soldering, 10 sec)					+260	°C

Suggested IR Re-flow Soldering Curve



This datasheet contains new product information. Feeling Technology reserves the rights to modify the product specification without notice. No liability is assumed as a result of the use of this product. No rights under any patent accompany the sales of the product.

Recommended Operating Conditions

Parameter	Symbol	Conditions	Min.	Typ.	Max.	Unit
Supply Voltage	V_{IN}		4.75		23	V
Operating Temperature			-40		85	°C

DC Electrical Characteristics ($V_{IN}=12V$, $T_A=25^{\circ}C$, unless otherwise noted)

Parameter	Symbol	Test Conditions	Min.	Typ.	Max.	Unit
Standby Current	I_{SB}	$V_{EN} \geq 3V$, $V_{FB} \geq 1.0V$		1.0		mA
Shutdown Supply Current	I_{ST}	$V_{EN}=0$		25		μA
Feedback Voltage	V_{FB}	$V_{COMP} < 2V$	0.90	0.92	0.94	V
Current Sense Trans-conductance Output Current to Comp Pin Voltage	G_{CS}			2.1		A / V
Error Amplifier Voltage Gain	A_{EA}			400		V / V
Error Amplifier Trans-conductance	G_{EA}	$\Delta I_C = \pm 10\mu A$		930		$\mu A / V$
High Side Switch ON Resistance	R_{ON-HS}			0.2		Ω
Low Side Switch ON Resistance	R_{ON-LS}			10		Ω
High Side Switch Leakage Current	I_{IL}	$V_{EN}=0$, $V_{SW}=0V$		0.1	10	μA
Current Limit	I_{CL}		2.8	3.5		A
Oscillation Frequency	f_{OSC}			1.4		MHz
Short Circuit Oscillation Frequency	f_{SC}	$V_{FB}=0V$		210		KHz
Maximum Duty Cycle	D_{MAX}	$V_{FB}=0.8V$		75		%
Minimum On Time	T_{ON}	$V_{FB}=1.5V$		100		ns
Under Voltage Lockout Threshold	V_{UVLO}	V_{EN} Rising	2.37	2.50	2.62	V
Under Voltage Lockout Threshold Hysteresis	V_{HYS}			210		mV
EN Threshold Voltage	V_{EN}	$I_{CC} > 100\mu A$	0.7	1.0	1.3	V
Enable Pull Up Current	I_{EN}	$V_{EN}=0V$		1.0		μA
Soft-Start Pin Equivalent Output Resistance	R_{SS}	$V_{SS}=0V$		9		K Ω
Thermal Shutdown	T_{TS}			+150		°C
Thermal Shutdown Reset Hysteresis	T_{HYS}			+40		°C

This datasheet contains new product information. Feeling Technology reserves the rights to modify the product specification without notice. No liability is assumed as a result of the use of this product. No rights under any patent accompany the sales of the product.

Typical Operating Characteristics

($V_{IN}=12V$, $V_{OUT}=3.3V$, $T_A=25^{\circ}C$, unless otherwise noted)

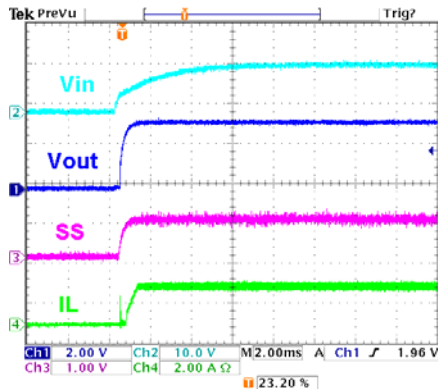


Figure 1: Power on

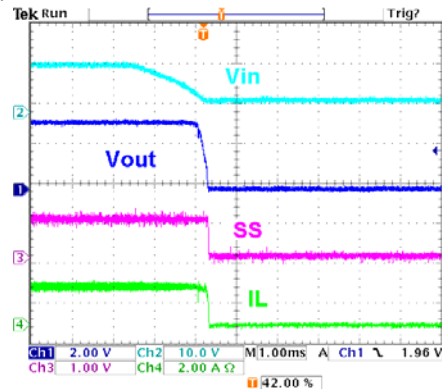


Figure 2: Power off

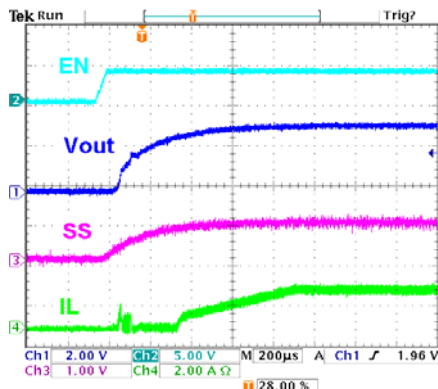


Figure 3: EN Pin Enable

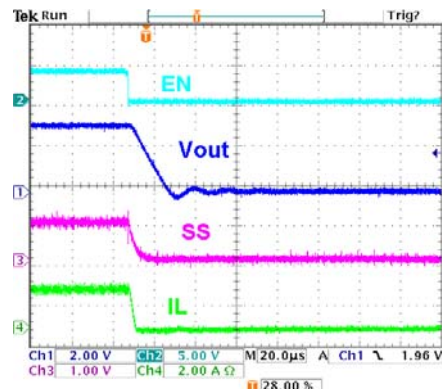


Figure 4: EN Pin Disable

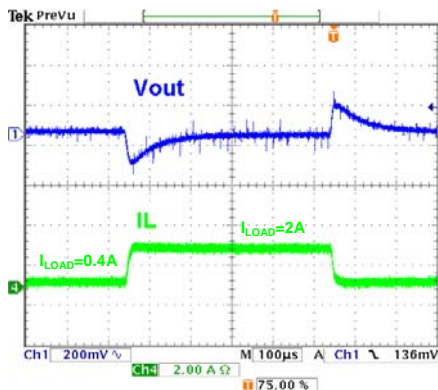


Figure 5: Load Step

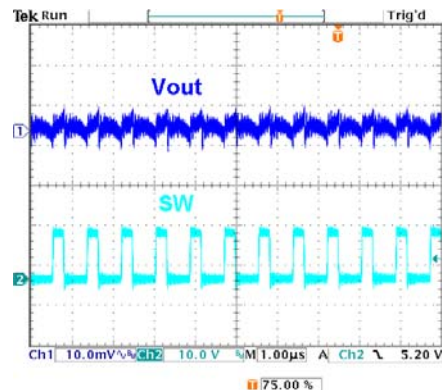


Figure 6: Load 2A Ripple

This datasheet contains new product information. Feeling Technology reserves the rights to modify the product specification without notice. No liability is assumed as a result of the use of this product. No rights under any patent accompany the sales of the product.

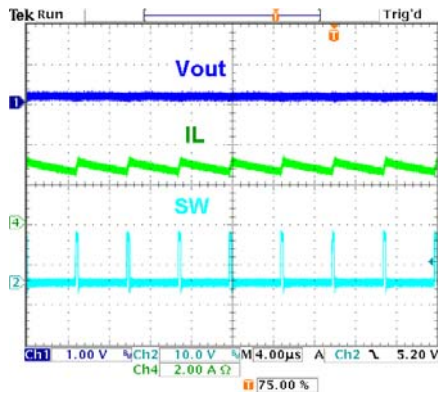


Figure 7: SCP

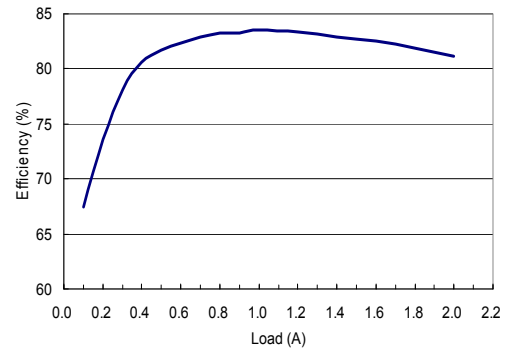


Figure 8 Efficiency ($V_{OUT}=3.3V$)

This datasheet contains new product information. Feeling Technology reserves the rights to modify the product specification without notice. No liability is assumed as a result of the use of this product. No rights under any patent accompany the sales of the product.

Function Description

The FP6186 is a current-mode buck regulator. It regulates input voltages from 4.75V to 23V down to an output voltage as low as 0.92V with maximum 2A load current. The FP6186 uses current-mode control to regulate the output voltage. The output voltage is measured at FB pin through a resistive voltage divider and amplified by the internal error amplifier. The output current of the trans-conductance error amplifier is presented at COMP pin where a network compensates the regulation control system. The voltage at COMP is compared to the switch current measured internally to control the output voltage. The converter uses an internal n-channel MOSFET switch to step-down the input voltage to the regulated output voltage. Since the n-channel MOSFET requires a gate voltage greater than the input voltage, a boost capacitor connected between SW and BS drives the MOS gate. The capacitor is internally charged while the MOS switch is off. Another internal built-in 10Ω switch from SW to GND is used to insure that SW is pulled to GND when the switch is off to fully charge the BS pin capacitor.

Output Voltage (V_{OUT})

The output voltage is set using a resistive voltage divider from the output voltage to FB. The voltage divider divides the output voltage down by the ratio:

$$V_{FB} = V_{OUT} \times \frac{R_4}{R_2 + R_4}$$

Thus the output voltage is:

$$V_{OUT} = V_{FB} \times \frac{R_2 + R_4}{R_4}$$

A typical value for R_4 can be as high as 100k, but a typical value is 10K.

Enable Mode / Shutdown Mode

Drive EN Pin to ground to shut down the FP6186. Shutdown mode forces the internal power MOSFET off, turns off all internal circuitry, and reduces the V_{IN} supply current to 25μA (typ.). The EN Pin rising threshold is 1.0V (typ.). Before any operation begins, the voltage at EN pin must exceed 1.0V (typ.).

The EN pin input has 100mV hysteresis.

Boost High-Side Gate Drive (BST)

Since the MOSFET requires a gate voltage greater than the input voltage, user should connect a flying bootstrap capacitor between SW and BS pin to provide the gate-drive voltage to the high-side n-channel MOSFET switch. The capacitor is charged by the internally regulator periodically when SW

This datasheet contains new product information. Feeling Technology reserves the rights to modify the product specification without notice. No liability is assumed as a result of the use of this product. No rights under any patent accompany the sales of the product.

pin is pulled to ground. During startup, an internal low-side switch pulls SW to ground and charges the BST capacitor to internally regulator output voltage. Once the BST capacitor is charged, the internal low-side switch is turned off and the BST capacitor provides the necessary enhancement voltage to turn on the high-side switch.

Thermal Shutdown Protection

The FP6186 features integrated thermal shutdown protection. Thermal shutdown protection limits allowable power dissipation (P_D) in the device and protects the device in the event of a fault condition. When the IC junction temperature exceeds $+150^{\circ}\text{C}$, an internal thermal sensor signals the shutdown logic to turn off the internal power MOSFET and allow the IC cooling down. The thermal sensor turns the internal power MOSFET back on after the IC junction temperature cools down to $+110^{\circ}\text{C}$, resulting in a pulsed output under continuous thermal overload conditions.

Application Information

Input Capacitor Selection

The input current to the step-down converter is discontinuous, therefore a capacitor is required to supply the AC current to the step-down converter while maintaining the DC input voltage. Use low ESR capacitors for the best performance. Ceramic capacitors are preferred, but tantalum or low-ESR electrolytic capacitors may also suffice.

The input capacitor can be electrolytic, tantalum or ceramic. When electrolytic or tantalum capacitors are used, a small, high quality 0.1 μ F ceramic capacitor should be placed beside the IC as possible.

When using ceramic capacitors, make sure that they have enough capacitance to provide sufficient charge to prevent excessive voltage ripple at converter input. The input voltage ripple can be estimated by

$$C_{IN} = \frac{I_O}{f \times \Delta V_{IN}} \times D(1-D)$$

Inductor Selection

The inductor is required to supply constant current to the output load while being driven by the switched input voltage. A larger value inductor will result in less ripple current that will result in lower output ripple voltage. However, the larger value inductor will have a larger physical size, higher series resistance, and/or lower saturation current. A good rule for determining the inductance to use is to allow the peak-to-peak ripple current in the inductor to be approximately 30% of the maximum switch current. Also, make sure that the peak inductor current is below the maximum switch current limit. The inductance value can be calculated by

$$L = \frac{V_O + V_D}{I_O \gamma f} \times (1-D)$$

Where r is the ripple current ratio

$$\text{RMS current in inductor } I_{L_{rms}} = I_O \sqrt{1 + \frac{\gamma^2}{12}}$$

Output Capacitor Selection

The output capacitor is required to maintain the DC output voltage. Ceramic, tantalum, or low ESR electrolytic capacitors are recommended. Low ESR capacitors are preferred to keep the output voltage ripple low. The output voltage ripple can be estimated by:

This datasheet contains new product information. Feeling Technology reserves the rights to modify the product specification without notice. No liability is assumed as a result of the use of this product. No rights under any patent accompany the sales of the product.

$$\Delta V_{OUT} = \frac{V_{OUT} \times (V_{IN} - V_{OUT})}{f \times L \times V_{IN}} \times \left(ESR + \frac{1}{8 \times f \times C_{OUT}} \right)$$

In the case of ceramic capacitors, the output ripple is dominated by the capacitance value because of its low ESR. In the case of tantalum or electrolytic capacitors, the capacitor high ESR dominates the output ripple. Followings are equations for determining appropriate capacitor parameters.

I . Ceramic capacitors: choose capacitance value

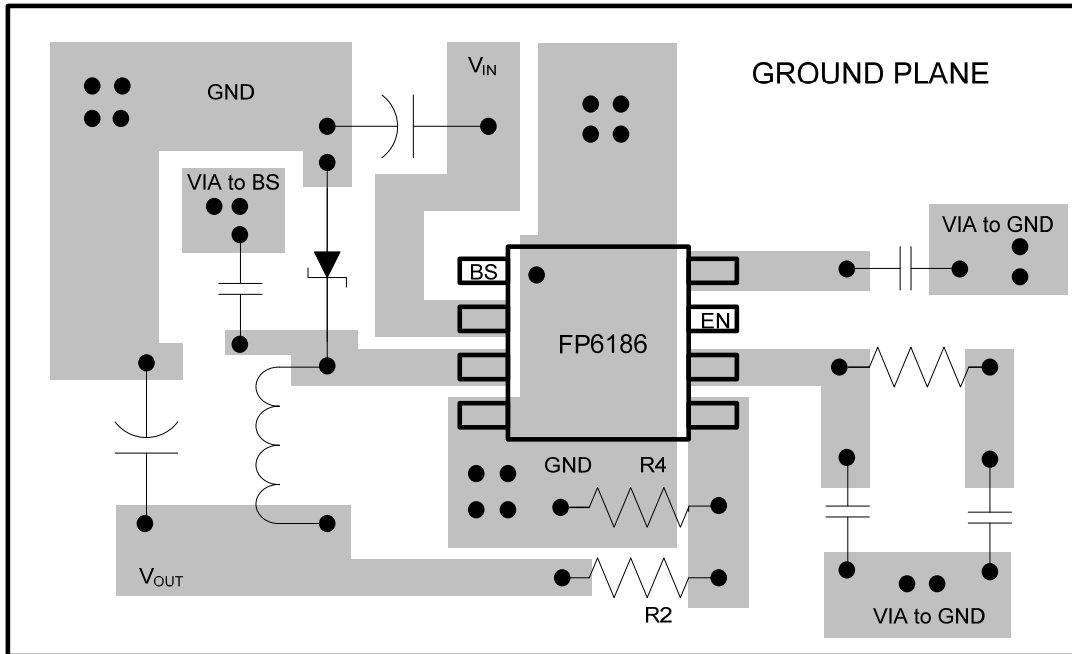
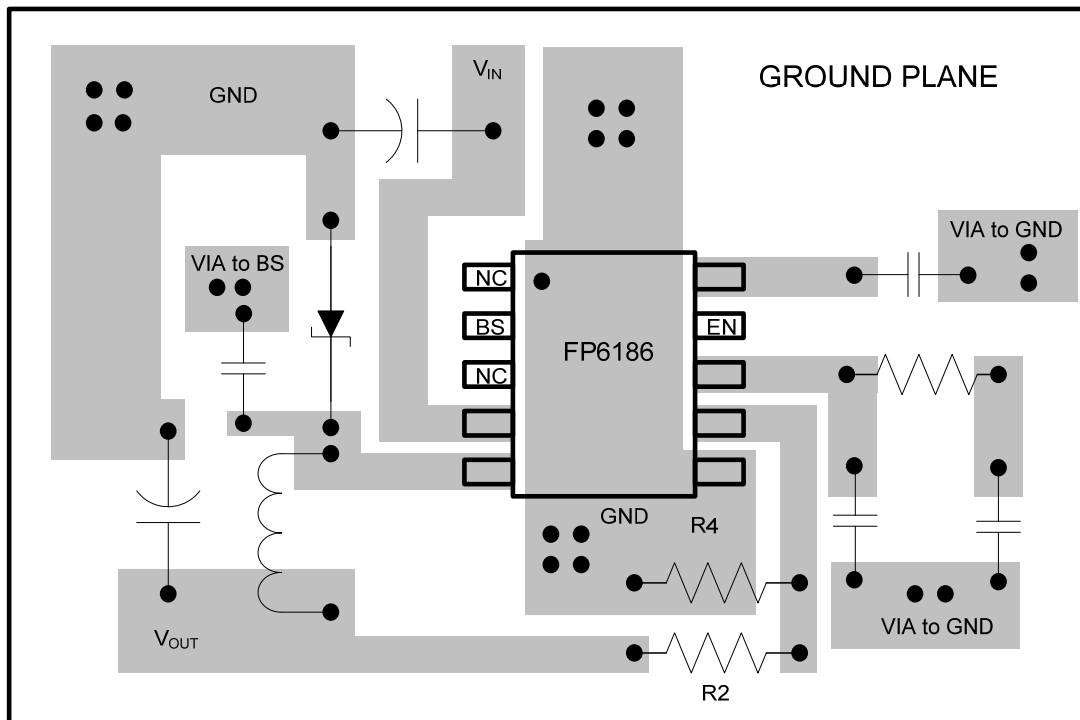
$$C_{OUT} = \frac{V_{OUT}}{8 \times f^2 \times L \times \Delta V_{OUT}} \times \left(1 - \frac{V_{OUT}}{V_{IN}} \right)$$

II . Tantalum or electrolytic capacitors: choose capacitor with ESR value

$$ESR = \frac{\Delta V_{OUT} \times f \times L \times V_{IN}}{V_{OUT} \times (V_{IN} - V_{OUT})}$$

PC Board Layout Checklist

1. The power traces, consisting of the GND, SW and VIN traces, should be kept short, direct and wide.
2. Place C_{IN} near IN pin as closely as possible to maintain input voltage steady and filter out the pulsing input current.
3. The resistive divider R₂ and R₄ must be connected directly to FB pin as closely as possible.
4. FB is a sensitive node. Please keep it away from switching node SW. A good approach is to route the feedback trace on another layer and have a ground plane between the top and feedback trace routing layer. This reduces EMI radiation on to the DC-DC converter's own voltage feedback trace.

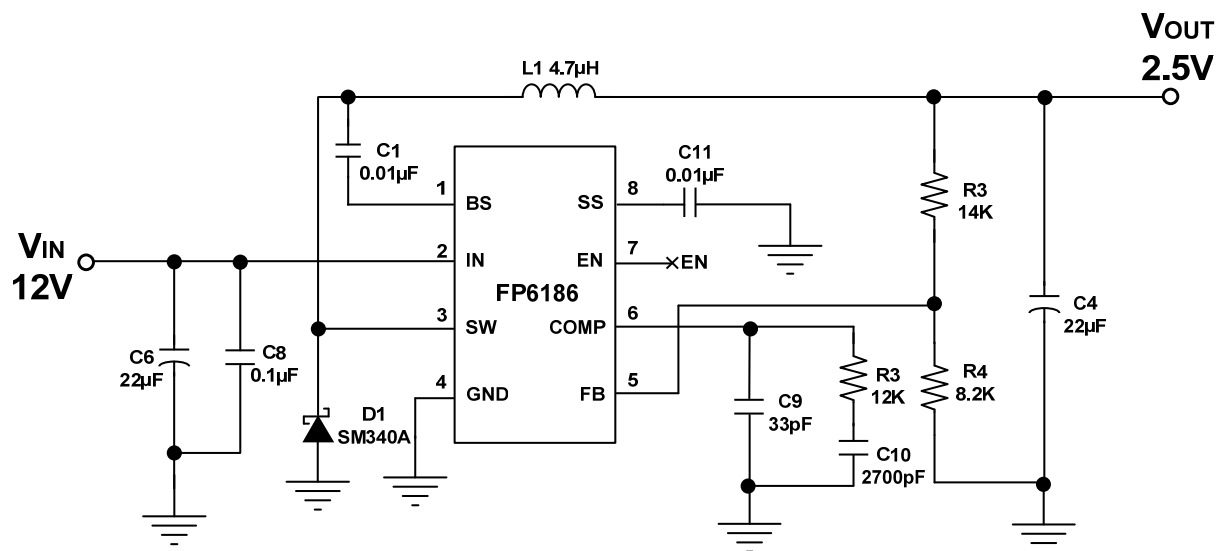
SOP-8L (EP)

MSOP-10L (EP)


Suggested Layout

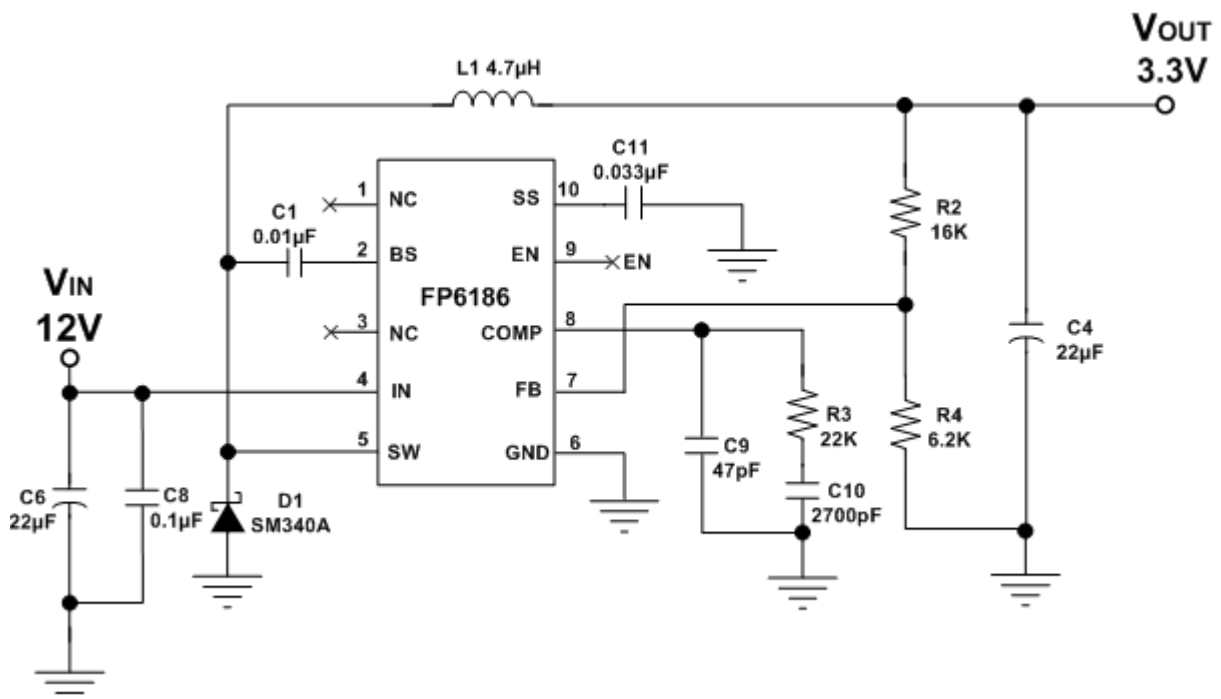
This datasheet contains new product information. Feeling Technology reserves the rights to modify the product specification without notice. No liability is assumed as a result of the use of this product. No rights under any patent accompany the sales of the product.

Typical Application

SOP-8L (EP)



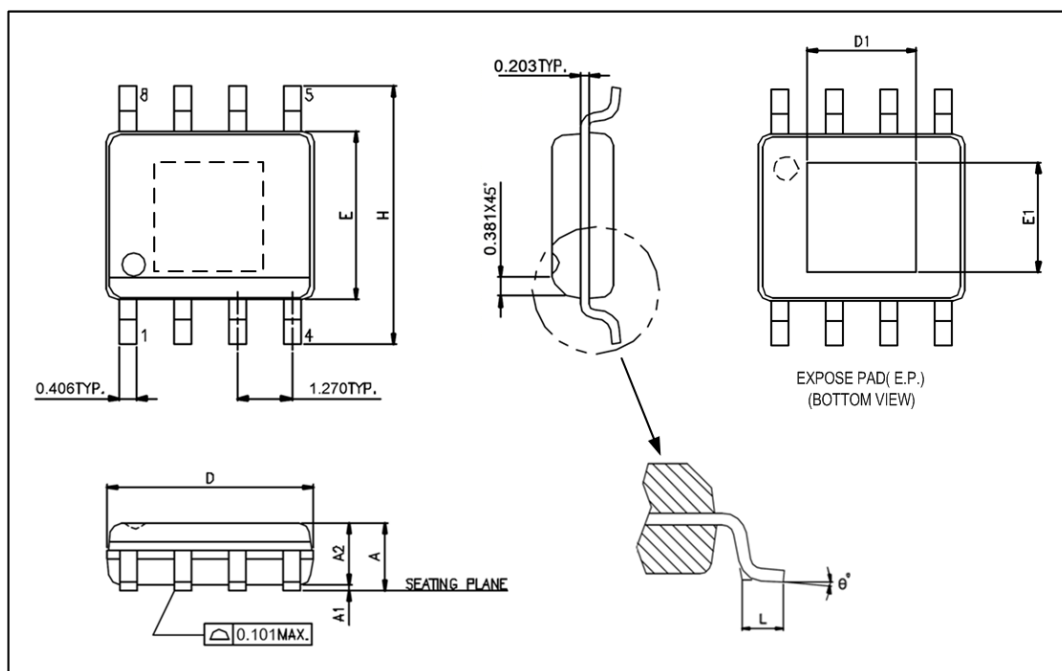
MSOP-10L (EP)



This datasheet contains new product information. Feeling Technology reserves the rights to modify the product specification without notice. No liability is assumed as a result of the use of this product. No rights under any patent accompany the sales of the product.

Package Outline

SOP-8L (EP)



Unit: mm

Symbols	Min. (mm)	Max. (mm)
A	1.346	1.752
A1	0.050	0.152
A2		1.498
D	4.800	4.978
E	3.810	3.987
H	5.791	6.197
L	0.406	1.270
θ°	0°	8°

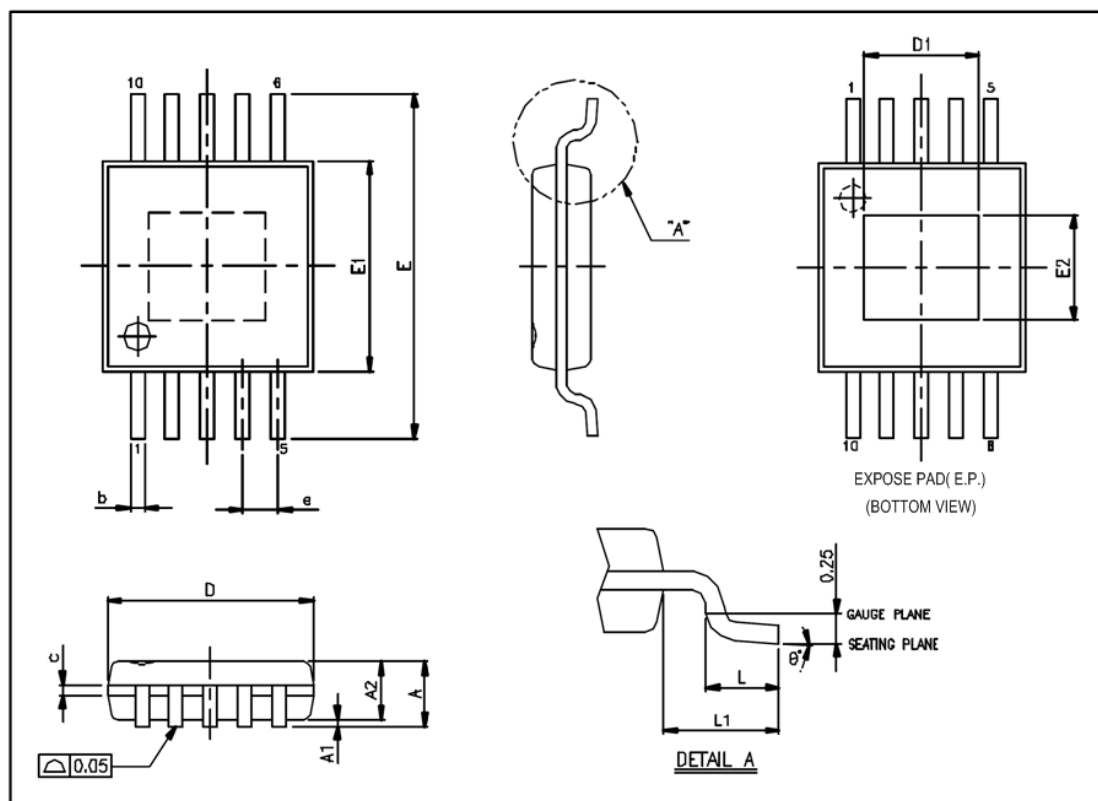
Exposed PAD Dimensions:

Symbols	Min. (mm)	Max. (mm)
E1		2.184 REF
D1		2.971 REF

Note:

1. Package dimensions are in compliance with JEDEC outline: MS-012AA.
2. Dimension "D" does not include molding flash, protrusions or gate burrs.
3. Dimension "E" does not include inter-lead flash or protrusions.

This datasheet contains new product information. Feeling Technology reserves the rights to modify the product specification without notice. No liability is assumed as a result of the use of this product. No rights under any patent accompany the sales of the product.

MSOP-10L (EP)

Unit: mm

Symbols	Min. (mm)	Max. (mm)
A	0.750	1.100
A1	0.000	0.150
A2	0.750	0.950
b	0.170	0.270
c	0.080	0.230
D	3.000 BSC.	
E	4.900 BSC.	
E1	3.000 BSC.	
e	0.500 BSC.	
L	0.400	0.800
L1	0.950 REF.	
θ°	0°	8°

This datasheet contains new product information. Feeling Technology reserves the rights to modify the product specification without notice. No liability is assumed as a result of the use of this product. No rights under any patent accompany the sales of the product.

MSOP-10L (EP) continued

Exposed PAD Dimensions:

Symbols	Min. (mm)	Max. (mm)
E2	1.715 REF	
D1	1.600 REF	

Note:

1. Package dimensions are in compliance with JEDEC outline: MO-187 BA-T.
2. Dimension "D" does not include molding flash, protrusions or gate burrs.
3. Dimension "E1" does not include inter-lead flash or protrusions.

This datasheet contains new product information. Feeling Technology reserves the rights to modify the product specification without notice. No liability is assumed as a result of the use of this product. No rights under any patent accompany the sales of the product.

Website: <http://www.feeling-tech.com.tw>

Rev. 0.62